



Model: \_\_\_\_\_ Item #: \_\_\_\_\_ Date: \_\_\_\_\_

Project: \_\_\_\_\_ Qty: \_\_\_\_\_ Approved By: \_\_\_\_\_

# Slide Top Mug Frosters

# Refrigeration



### MC24S shown

Available in 24", 36", and 48"

## Standard Features

<b>Electrical</b>	115 V, 1 Phase, 60 Hz. Furnished with 8'-0" plug-in cord. NEMA 5-15P Plug Configuration. Dedicated 15 Amp circuit recommended.
<b>Refrigeration</b>	1/3 HP, 404 refrigerant
<b>Running Load (amps)</b>	24" Unit: 5.2 Amps 36" Unit: 5.3 Amps 48" Unit: 5.5 Amps
<b>Operating Range</b>	12°F to 17°F (set at 12°F)
<b>Plumbing</b>	No drain connection required. Condensate evaporates automatically.
<b>Insulation</b>	2" thick foamed-in-place polyurethane
<b>Mug Capacity (10 oz.)</b>	24" Unit: 95 36" Unit: 165 48" Unit: 240
<b>Interior</b>	All stainless steel with coved corners.

- 34" high
- 24" front to back depth
- Two layers of shelving
- R404A refrigeration
- Automatic defrost timer with pushbutton manual mode
- Easy to clean coved corner liner
- Rugged grab bar handle
- Floor drain connects to condensate evaporator pan. No drain required.
- 5 Year compressor warranty
- 1 Year parts and labor warranty

## Optional Accessories

<b>BC-130</b>	Four 1" Ultra Low profile casters w/ brakes
<b>BC-132</b>	Four 2" Low Profile Casters w/ Brakes
<b>BC-134</b>	Four 3" Casters w/ Brakes
<b>MC-100</b>	Four 6" Stainless Steel Legs
<b>MC-102</b>	Four 4" Stainless Steel Legs
<b>MC-106</b>	Left Side Kick Plate
<b>MC-107</b>	Right Side Kick Plate
<b>MC-124</b>	24" Front Kick Plate

**\*This equipment is intended for the storage and display of non-potentially hazardous bottle or canned products only.\***



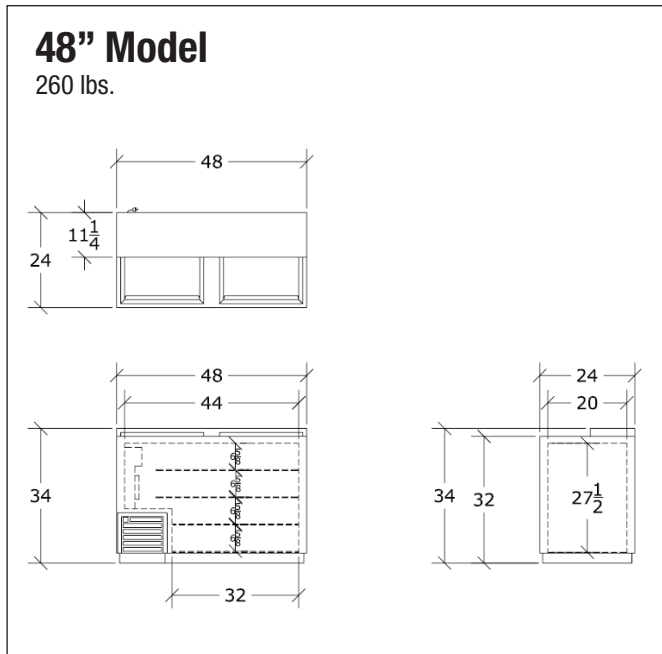
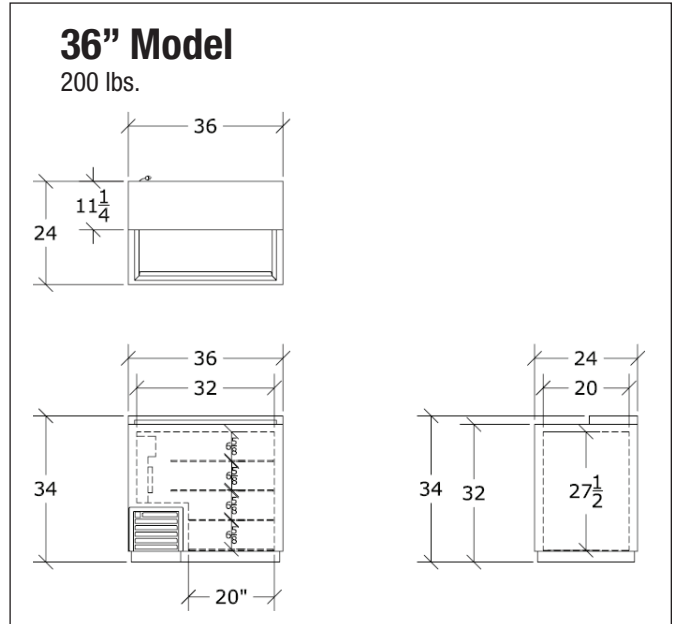
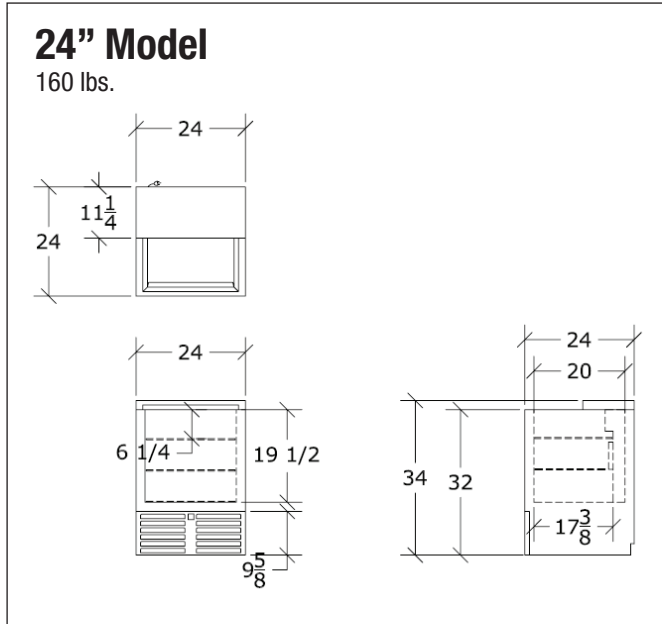
CSA C22.2 No. 120-13



Model: \_\_\_\_\_ Item #: \_\_\_\_\_ Date: \_\_\_\_\_  
 Project: \_\_\_\_\_ Qty: \_\_\_\_\_ Approved By: \_\_\_\_\_

# Slide Top Mug Frosters

Refrigeration



Model Numbers	Overall Length	Exterior Finish	Doors	Layers	Mug Capacity (10 oz.)	Weight (lbs.)
MC24B	2'-0"	Black Vinyl	1	2	95	160
MC36B	3'-0"	Black Vinyl	1	2*	165	200
MC48B	4'-0"	Black Vinyl	2	2*	240	260
MC24S	2'-0"	Stainless	1	2	95	160
MC36S	3'-0"	Stainless	1	2*	165	200
MC48S	4'-0"	Stainless	2	2*	240	260

**Note:** Units come standard with 2 layers of shelves. Optional third level available for 36" and 48" models  
**Castors:** Optional casters raise height 1" higher than wheel size



CSA C22.2 No. 120-13