



Model: GWR-24 Item #: Date:
 Project: Qty: Approved By:

Rotary Glasswasher

Glasswashing



GWR-24 shown



STANDARD FEATURES

- Low Temperature
- Type 304 Stainless Steel construction, tank is 316 stainless steel
- Free 1 Year Warranty if Glass Washing Dump Sink is purchased and placed next to Glasswasher in Bar Line-Up -5°F to 10°F temperature range
- 26-1/4" Front to Back depth, 39" Height
- 12" glass clearance accepts taller stemware
- Internal upper drain screen for improved filtration and ease of cleaning
- Self flushing wash chamber reduces maintenance
- Reduced water usage
- 208-230 V connection
- Three-pump injection system for precise chemical dispensing
- Upper and lower wash and rinse arms produce sparkling clean glasses
- Double walled construction for quieter operation
- Cool final rinse water provides a cool glass ready for immediate use
- Cabinet below holds the 3 chemicals required each in 1 gallon containers
- Polypropylene conveyor virtually eliminates chipping of fine stemware
- 3 minute cycle time
- 1200 glasses per hour (2-1/2" glasses)

SPECIFICATIONS

Capacity (per hr)	2-1/2" Glasses	1200
Water Consumption	Cold Water (approx)	2.5 GPM
	Hot Water (initial fill)	3 gallons
	Max Use (approx)	12 gallons
Temperatures	Inlet Water (hot)	140 -160°F
	Inlet Water (cold)	75°F
Heating	Tank Heat, electric (kW)	3 kW
Conveyor Movement		Clockwise

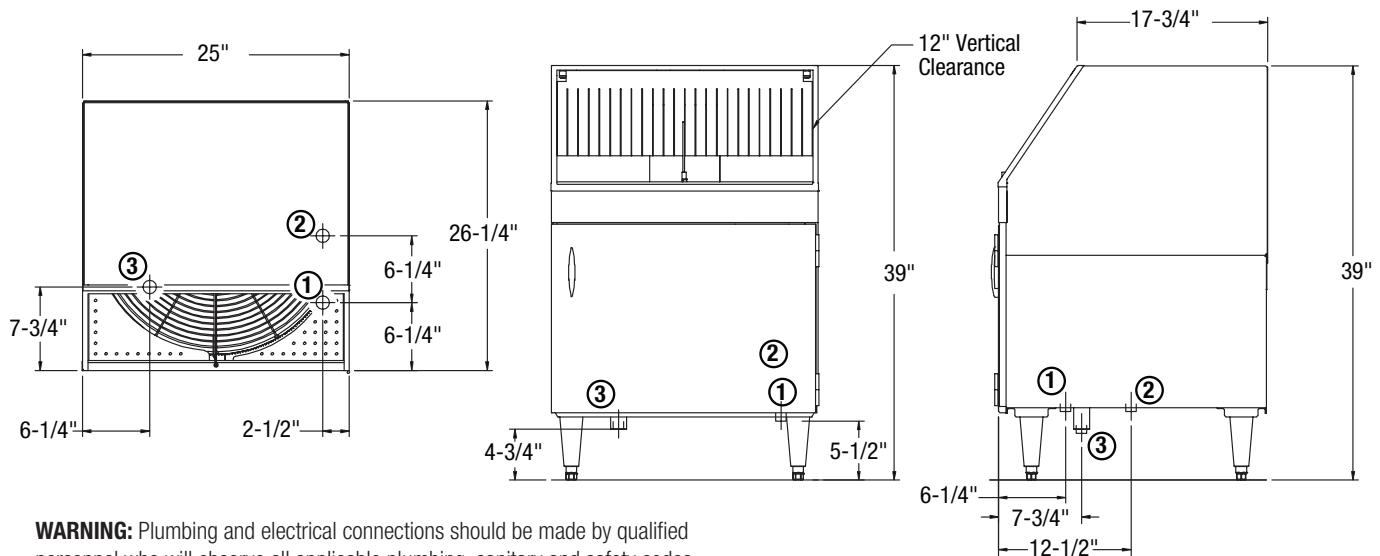
Note: Unit is supplied with 6 ft. plug-in cord. (NEMA 6-15P)

OPTIONAL ACCESSORIES

28-111S	3-1/2" x 3-1/2" Plate Caster with 5" Wheels
----------------	---

UTILITIES

Electrical	208-230VAC/50-60/1, 15 amp
① Hot Water Connection	1/2" IPS. Flow pressure 25 - 95 PSI
② Cold Water Connection	1/2" IPS. Flow pressure 25 - 95 PSI
③ Drain Connection	1-1/2" tailpiece. Connect to drain size according to local plumbing code.



WARNING: Plumbing and electrical connections should be made by qualified personnel who will observe all applicable plumbing, sanitary and safety codes.