



Model: **16-144** Item #: _____ Date: _____

Project: _____ Qty: _____ Approved By: _____

Glass Rinser

Royal Series Underbar



Standard Features

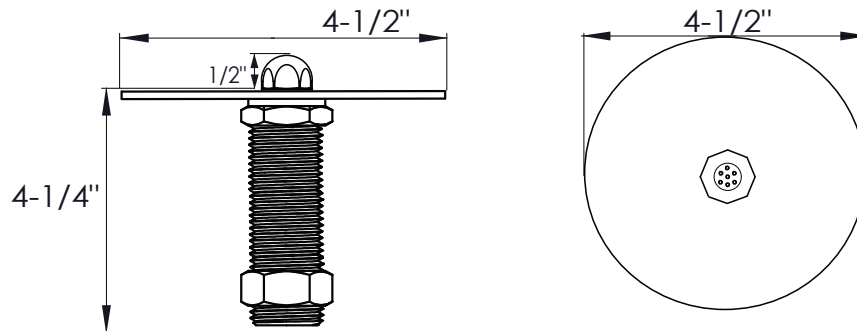
- High quality, stainless steel construction
- Stainless steel perforated grid
- 4-1/2" diameter
- 7/8" shank
- 1/2" NPS thread with adapter to fit 3/8" flexible water line
- Replaces all underbar manufacturers rinsers

Specifications

Water Inlet	1/2" NPS thread
Accessories	Includes adapter to fit 3/8" flexible water line
Material	Stainless Steel
Weight	1 lb.



Intertek
4004503
Conforms to NSF/ANSI STD 372



WARNING: Plumbing connections should be made by qualified personnel who will observe all applicable plumbing, sanitary and safety codes.
California Proposition 65 Warning