



Model: _____ Item #: _____ Date: _____

Project: _____ Qty: _____ Approved By: _____

Royal Series Liquor Displays

Royal Series Underbar



KR24-24RD



Standard Features

- Tiered bottle storage system that is easily accessible for bartenders
- Sound deadening technology
- Available with 4-steps or 5-steps
- Locking covers available for 4-step models

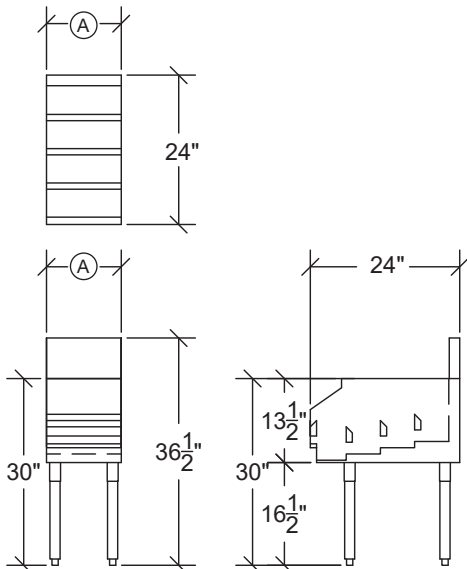
Specifications

- Bottle Steps: 20 gauge stainless steel
 - Guardrails: 20 gauge stainless steel
 - Backsplash: 20 gauge stainless steel
 - Sides: 18 gauge stainless steel
 - Back & Bottom: 20 gauge galvanized steel
- Material**
- 1-5/8" tubular 16 gauge stainless steel with grey plastic bullet foot
- Legs**

4-Step Liquor Displays

Model	Length (A)	Depth (Front to Back)	Steps	Est. Bottle Storage	Wgt. (lbs.)
KR24-12RD	12"	24"	4	12	40
KR24-18RD	18"	24"	4	16	48
KR24-24RD	24"	24"	4	24	60
KR24-12RD-LC	12"	24"	4	12	45
KR24-18RD-LC	18"	24"	4	16	55
KR24-24RD-LC	24"	24"	4	24	65

NOTE: Units ending "-LC" include a locking cover. Locking covers are only available on 4-Step Liquor Displays and cannot be added in the field.



5-Step Liquor Displays

Model	Length (A)	Depth (Front to Back) (B)	Steps	Est. Bottle Storage	Wgt. (lbs.)
KR24-ML8	8"	24"	5	10	35
KR24-ML12	12"	24"	5	15	40
KR29-12RD	12"	29"	5	15	55
KR29-18RD	18"	29"	5	20	65
KR29-24RD	24"	29"	5	28	75

