

Project _____
 Item _____
 Quantity _____
 FCSI Section 11400 _____
 Approved _____
 Date _____

SHORT SERIES™ ELECTRIC KETTLES

35" RIM HEIGHT, TILTING, FULL STEAM JACKETED,
 SELF-CONTAINED, "SPLASH PROOF SERIES",
 40 OR 60 GALLONS (150 OR 225 LITERS)

Models

- KEL-40-TSH
- KEL-60-TSH



Standard Features

- Self-contained, easily installed - needs only an electrical hook-up
- Steam jacket filled with treated water, venting and/or refilling is not required
- Accurate, consistent solid state temperature controls (mechanical thermostate not as accurate) - less than $\pm 1^{\circ}\text{C}$ variance (ideal for simmering). Operating temperature range from 145° - 260°F (63°C - 127°C)
- Control panel includes:
 - LED indicator for heat cycle
 - LED indicator for low water
 - Power ON/OFF switch
 - Adjustable temperature control dial
- Water resistant controls, splash-proof construction
- Large pouring lip for high capacity and chunky products
- Re-inforced rolled rim design prevents damage to kettle rim, eliminates "bar rim designs"
- Welded-in heating elements, (holds vacuum better, won't leak or loose water)
- Easily cleaned: kettle and all exterior surfaces are of type 304 stainless steel with an #4 finish
- Rear mounted easy access pressure gauge and pressure relief valve to prevent tampering. Color coded easy to read pressure gauge with "green" and "vent air zone"
- 50 psi steam jacket rating for higher cooking temperatures
- 50 psi safety valve
- Solid state water level control (no sight glass gauge to break or leak)
- Splash proof element cover with a double gasket seal
- Tilt mechanism of roller bearings and case hardened self-locking worm and segment gear
- 1 5/8" O.D. tri-leg supports with level adjustable feet for floor bolting
- Standard voltage is 208-240 volts, 60 Hz, 3 - phase, 3 wire
- Typical approvals include UL, CSA, CE, NSF and ASME
- 316 Stainless Steel Interior

Short Form Specifications

Shall be Cleveland Electric Tilting Kettle, Model KEL-____-TSH, 35" rim height, Type 316 Stainless Steel Interior, Fully Steam Jacketed, 50 psi Steam Jacket Rating, Permanently filled Steam Jacket, 208-240 volts, 60 Hz, 3 Phase, Splash Proof Solid State Temperature ($\pm 1^{\circ}\text{C}$) and Safety Control System in plug-in Module including L.E.D. indicators. 316 Stainless Steel Interior.

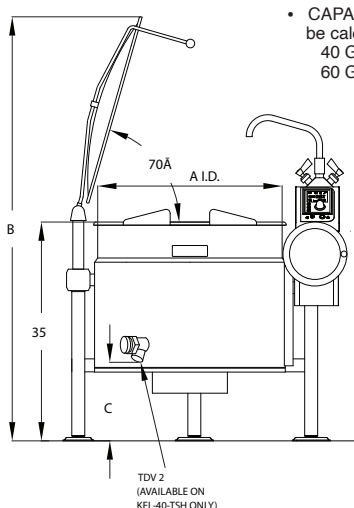
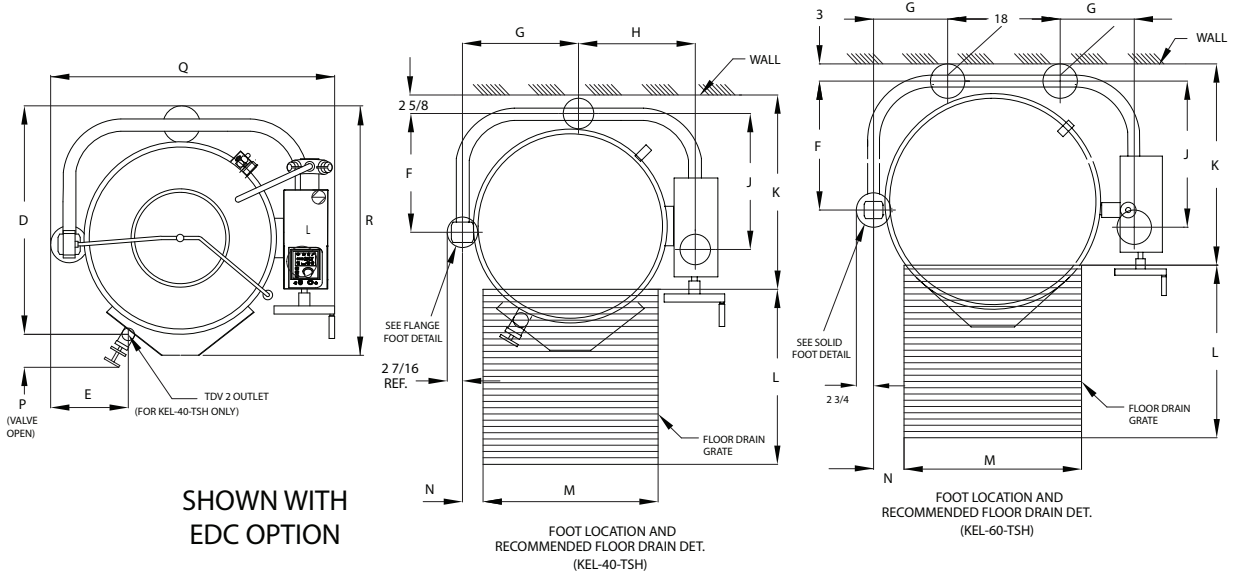
Options & Accessories

- 2" Tangent Draw-Off (TD2) (available in 40 gallon only)
- Kettle Markings (KM)
- Spring Assist Cover (CHS)
- Lift Off Cover (CL)
- Basket Strainer (BS)
- Measuring Strip (MS)
- Food Strainer (FS)
- Drain Strainer (DS)
- Steam Control Kit (SCK1)
- 240 Volt, Single Phase Option
- Pan Carrier (PCK)
- Tri-Basket Strainer Support Systems (TBS)
- Kettle Accessory Kit (KAK)
- Flow Diverter (FD)
- Correctional Packages
- Hot and cold water faucet (DPK), or cold water (SPK). Requires faucet bracket (FBKT)
- Heat Deflector Shield (HS001)

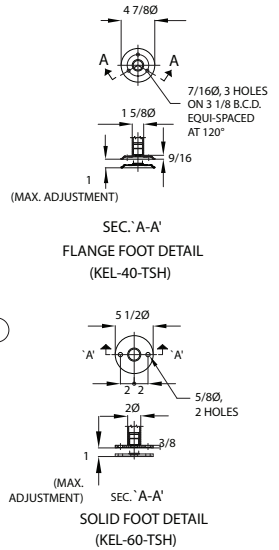
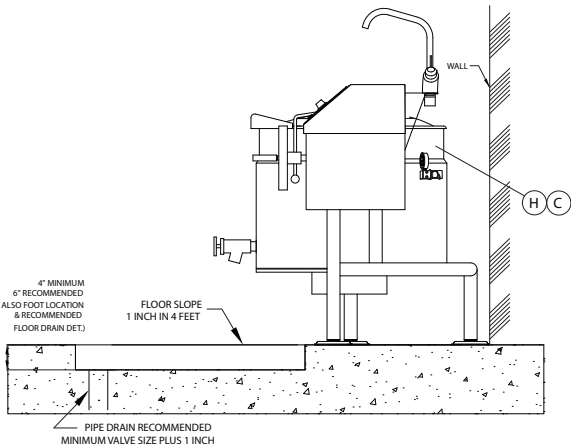
KE004046-63

| KETTLE | A | B | C | D | E | F | G | H | J | K | L | M | N | P | Q | R | VALVE |
|------------|--------|--------|--------|-----|--------|--------|---------|----------|--------|--------|----|----|-------|-----|--------|--------|------------|
| KEL-40-TSH | 29 1/2 | 68 1/4 | 13 1/4 | 37 | 10 1/4 | 19 | 18 9/16 | 18 11/16 | 21 3/4 | 29 | 28 | 28 | 3 1/4 | 7 | 45 | 41 1/8 | TD 2 & W/O |
| KEL-60-TSH | 33 | 70 3/4 | 9 1/2 | N/A | N/A | 21 1/2 | 11 3/8 | N/A | 24 1/4 | 33 1/2 | 30 | 30 | 4 | N/A | 48 1/2 | 48 | W/O |

ALL DIMENSIONS SHOWN IN INCHES.



- CAPACITIES: (in 8 oz. servings, other sizes may be calculated)
 40 Gallon / 150 liters 640 servings
 60 Gallon / 225 liters 960 servings



Electric Kettles

STANDARD WATTAGE

| GALS. LITERS | 208V | | | 240V | | | 415V | | | 480V | | | |
|--------------|------|------|------|------|------|------|------|------|------|------|------|------|------|
| | KW | 1PH | 3PH | KW | 1PH | 3PH | KW | 1PH | 3PH | KW | 1PH | 3PH | |
| 40 | 150 | 14.7 | 70.8 | 40.9 | 19.6 | 81.7 | 47.1 | 18.1 | 43.5 | 25.1 | 19.6 | 40.8 | 23.6 |
| 60 | 225 | 14.7 | 70.8 | 40.9 | 19.6 | 81.7 | 47.1 | 18.1 | 43.5 | 25.1 | 19.6 | 40.8 | 23.6 |

HIGH WATTAGE

| GALS. LITERS | 208V | | | 240V | | | 415V | | | 480V | | | |
|--------------|------|------|-----|------|------|-----|------|------|------|------|------|------|------|
| | KW | 1PH | 3PH | KW | 1PH | 3PH | KW | 1PH | 3PH | KW | 1PH | 3PH | |
| 40 | 150 | 29.4 | N/A | 81.7 | 39.2 | N/A | 94.3 | 39.2 | 81.7 | 47.1 | 30.2 | 79.4 | 45.9 |
| 60 | 225 | 29.4 | N/A | 81.7 | 39.2 | N/A | 94.3 | 39.2 | 81.7 | 47.1 | 30.2 | 79.4 | 45.9 |

CLEARANCE

RIGHT = 0
 LEFT = 0
 REAR = 0

Allow 12" minimum on right side for servicing.

Shipping Weights & Dimensions

Model -
 KEL-40-TSH Weight - 455 lbs
 Width - 44"
 Depth - 44"
 Height - 54"

Consult factory for other voltages.

NOTES:
 Cleveland Range reserves right of design improvement or modification, as warranted.
 Many regional, state and local codes exist and it is the responsibility of the owner and installer to comply with the codes.
 Cleveland Range equipment is built to comply with applicable standards for manufacturers. Included among those approval agencies are U.L./NSF#4 and CSA (AGA, CGA).

(NOT TO SCALE)