

ITEM #: _____ QTY: _____
 MODEL #: _____
 PROJECT NAME: _____

061318

3601 S. Banker St. Effingham, IL 62401 • P.O. BOX 609 • Ph: (888) 431-2667 • Fax: (800) 433-2667

“CUCT” CUCINA TECHNICA - 2-1/4" OR 4" THICK TOP

FEATURES:

- NORTHERN HARD ROCK MAPLE
- 2-1/4" THICK EDGE GRAIN OR 4" THICK END GRAIN
- FOOD SERVICE GRADE STAINLESS STEEL SHELF
- STAINLESS STEEL TOWEL BAR
- COMMERCIAL GRADE 3" LOCKING CASTERS
- SHIPPED KNOCKED DOWN, 1 CARTON, 2-1/4" THICK
- ALL MODELS UPSABLE AND FEDEXABLE
- OPTIONS: DOVETAILED MAPLE DRAWER / STAINLESS FRONT AVAILABLE ONLY ON 30" X 24" CART



CUCT34

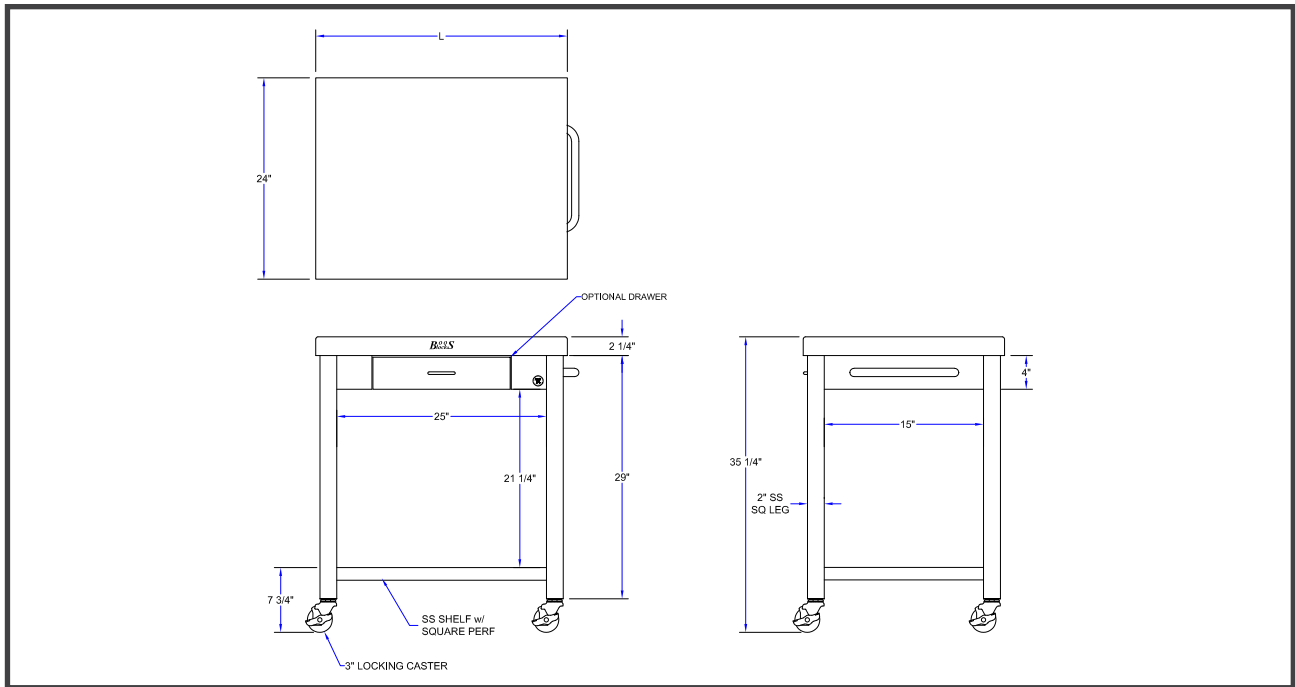
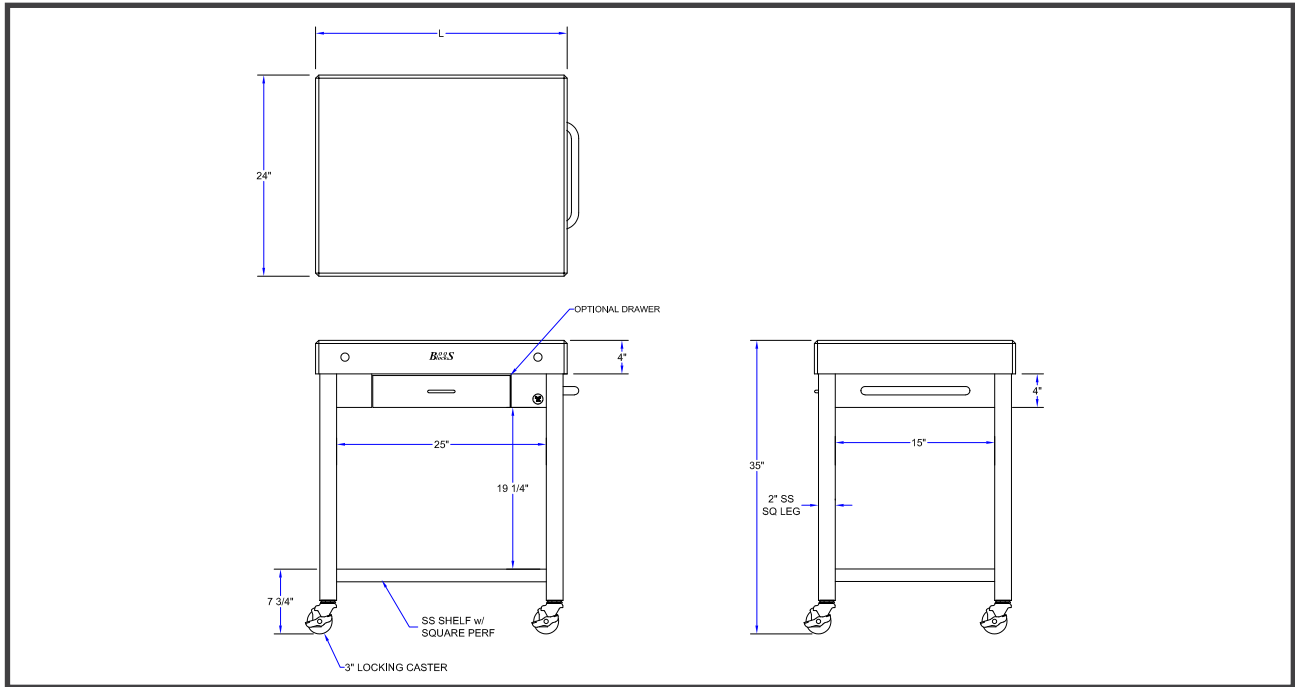


CUCT24

CUCINA TECHNICA - 2-1/4" OR 4" THICK TOP

MODEL #	QTY
CUCT04	
CUCT34	
CUCT14	
CUCT24	

DETAILED SPECIFICATIONS



CUCINA TECHNICA - 2-1/4" OR 4" THICK TOP

MODEL #	SIZE	TOP	L	HEIGHT	WEIGHT (LBS)
CUCT04	24" X 24" X 2-1/4"	2-1/4"	24"	35"	77
CUCT34	30" X 24" X 2-1/4"	2-1/4"	30"	35"	100
CUCT14	24" X 24" X 4"	4"	24"	35"	105
CUCT24	30" X 24" X 4"	4"	30"	35"	128

SOME UNITS SHIP UNASSEMBLED FOR REDUCED SHIPPING COST. ALL DIMENSIONS ARE TYPICAL. TOLERANCE +/- .500"

John Boos & Co. is constantly engaged in a program of improving products and therefore reserves the right to change specifications without prior notice.



3601 S. Banker St. • Effingham, IL 62401 • PO BOX 609 • quotes@johnboos.com

051018

Boos
lock

AQ AutoQuotes

www.johnboos.com

249