



**John
BOOS**
Since 1887

ITEM #: _____ QTY: _____

MODEL #: _____

PROJECT NAME: _____

051018

3601 S. Banker St. Effingham, IL 62401 • P.O. BOX 609 • Ph: (888) 431-2667 • Fax: (800) 433-2667

"CUCD" CUCINA D'AMICO

FEATURES:

- AVAILABLE WITH NORTHERN HARD ROCK MAPLE, AMERICAN BLACK WALNUT OR AMERICAN CHERRY END GRAIN TOP STANDARD BOOS BLOCK CREAM FINISH WITH BEESWAX
- FOOD SERVICE GRADE STAINLESS STEEL BASE AND SHELF
- STAINLESS STEEL TOWEL BAR
- COMMERCIAL GRADE 3" LOCKING CASTERS
- SHIPPED KNOCKED DOWN, 1 CARTON



CUCD15



WAL-CUCD15

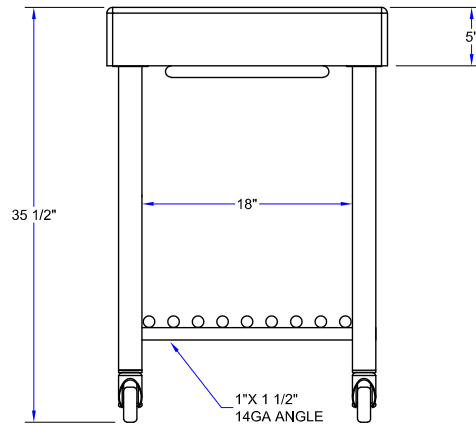
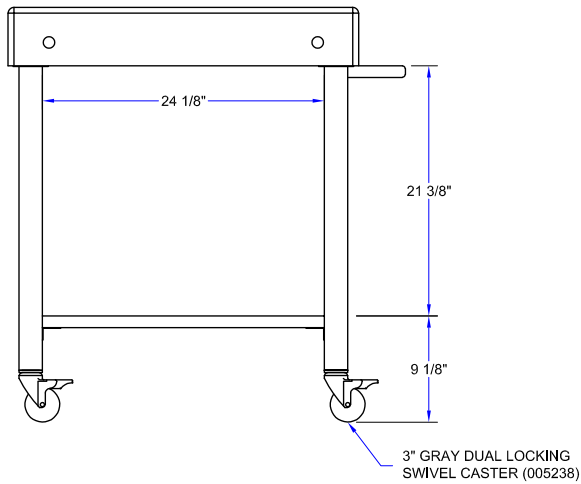
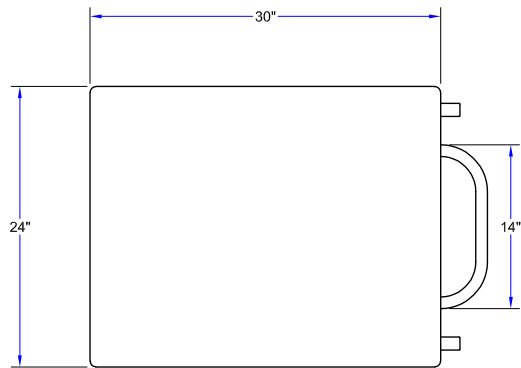


CHY-CUCD15

CUCINA D'AMICO

MODEL #	QTY
CUCD15	
CHY-CUCD15	
WAL-CUCD15	

DETAILED SPECIFICATIONS



CUCINA D'AMICO

MODEL #	SIZE	TOP	HEIGHT	WEIGHT (LBS)
CUCD15	30" X 24" X 5"	MAPLE	35-1/2"	135
CHY-CUCD15	30" X 24" X 5"	CHERRY	35-1/2"	114
WAL-CUCD15	30" X 24" X 5"	WALNUT	35-1/2"	129

SOME UNITS SHIP UNASSEMBLED FOR REDUCED SHIPPING COST. ALL DIMENSIONS ARE TYPICAL. TOLERANCE +/- .500"
 John Boos & Co. is constantly engaged in a program of improving products and therefore reserves the right to change specifications without prior notice.



3601 S. Banker St. • Effingham, IL 62401 • PO BOX 609 • quotes@johnboos.com

www.johnboos.com

030118

207