

ITEM #: _____ QTY: _____
 MODEL #: _____
 PROJECT NAME: _____

091018

3601 S. Banker St. Effingham, IL 62401 • P.O. BOX 609 • Ph: (888) 431-2667 • Fax: (800) 433-2667

"AA" BLOCK
16" THICK BLOCK

FEATURES:

- NORTHERN HARD ROCK MAPLE 16" THICK END GRAIN TOP
- STANDARD WITH BOOS BLOCK CREAM FINISH WITH BEESWAX
- L-4 LEGS (PENCIL) STANDARD
- SHIPPED KNOCKED DOWN, EASY TO ASSEMBLY
- 2 CARTONS
- OPTIONS: WOOD KNIFE HOLDER: TKS

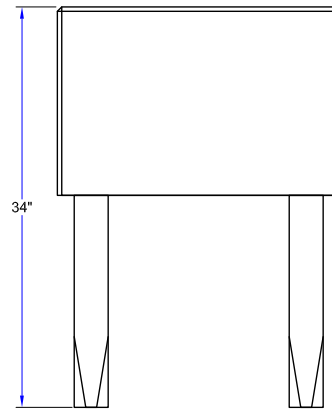
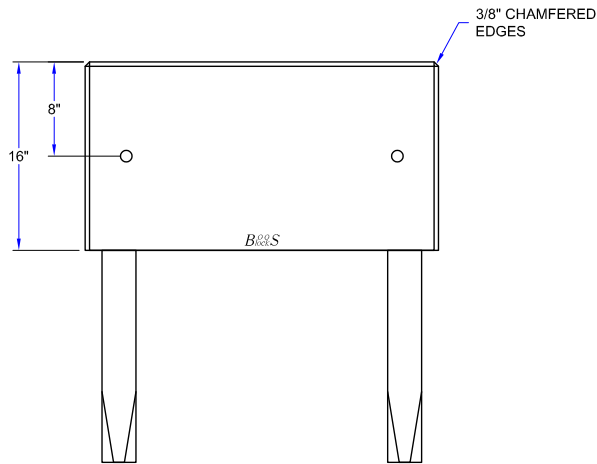
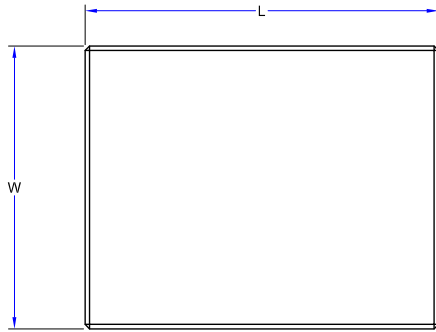


"AA" BLOCK

MODEL #	QTY
AA01	
AA02	
AA03	
AA04	
AA05	
AA06	
AA07	
AA10	
AA11	
AA12	
AA13 *	

* DENOTES STANDARD BLOCKS W/ 6 LEGS PER BLOCK

DETAILED SPECIFICATIONS



"AA" BLOCK

MODEL #	SIZE	HEIGHT	WEIGHT (LBS)
AA01	24" X 18" X 16"	34"	216
AA02	24" X 24" X 16"	34"	287
AA03	30" X 24" X 16"	34"	348
AA04	30" X 30" X 16"	34"	386
AA05	35" X 30" X 16"	34"	499
AA06	40" X 30" X 16"	34"	567
AA07	50" X 30" X 16"	34"	705
AA10	35" X 35" X 16"	34"	579
AA11	40" X 35" X 16"	34"	659
AA12	50" X 35" X 16"	34"	819
AA13 *	60" X 35" X 16"	34"	979

* DENOTES STANDARD BLOCKS W/ 6 LEGS PER BLOCK

SOME UNITS SHIP UNASSEMBLED FOR REDUCED SHIPPING COST. ALL DIMENSIONS ARE TYPICAL. TOLERANCE +/- .500"
 John Boos & Co. is constantly engaged in a program of improving products and therefore reserves the right to change specifications without prior notice.



3601 S. Banker St. • Effingham, IL 62401 • PO BOX 609 • quotes@johnboos.com

www.johnboos.com