



**John
BOOS**
Since 1887

ITEM #: _____ QTY: _____
 MODEL #: _____
 PROJECT NAME: _____

041221

3601 S. Banker St. Effingham, IL 62401 • Ph: (888) 431-2667 • Fax: (800) 433-2667

"UBLD-18" UNDERBAR LIQUOR DISPLAY



SLIM-LINE, 18" WIDTH

STANDARD FEATURES:

- ALL 18 GAUGE STAINLESS STEEL CONSTRUCTION
- TYPE 300 STAINLESS STEEL WITH #4 POLISH, SATIN FINISH
- SLIM LINE 18" DEEP FRONT TO BACK
- STANDARD PRE-DRILLED HOLES ON SIDES FOR ATTACHING ADJACENT UNITS TOGETHER
- STAINLESS STEEL FRONT TO BACK BRACING
- ANGLED DIVIDERS FOR LABELING

SPECIFICATIONS:

- MATERIALS
 - TOP: 18 GAUGE TYPE 300 STAINLESS STEEL
 - BACKSPLASH: 18 GAUGE TYPE 300 STAINLESS STEEL
 - SIDES: 18 GAUGE TYPE 300 STAINLESS STEEL
- LEGS AND BRACING
 - BOLT ON 1-5/8" STAINLESS STEEL LEGS FOR FAST INSTALLATION
 - 1-1/4" FRONT TO BACK BRACING
 - 1" ADJUSTABLE STAINLESS STEEL BULLET FEET
- MOUNTING OPTIONS
 - Z-CLIP TO MOUNT TO WALL
 - BOLT TO ADJACENT UNDERBAR PIECE
 - MOUNTING OPTIONS ALLOW FOR FLEXIBLE INSTALLATION OPTIONS TO REMOVE BACK OR FRONT AND BACK LEGS FOR A CLEAN INSTALLATION
- NSF CERTIFIED

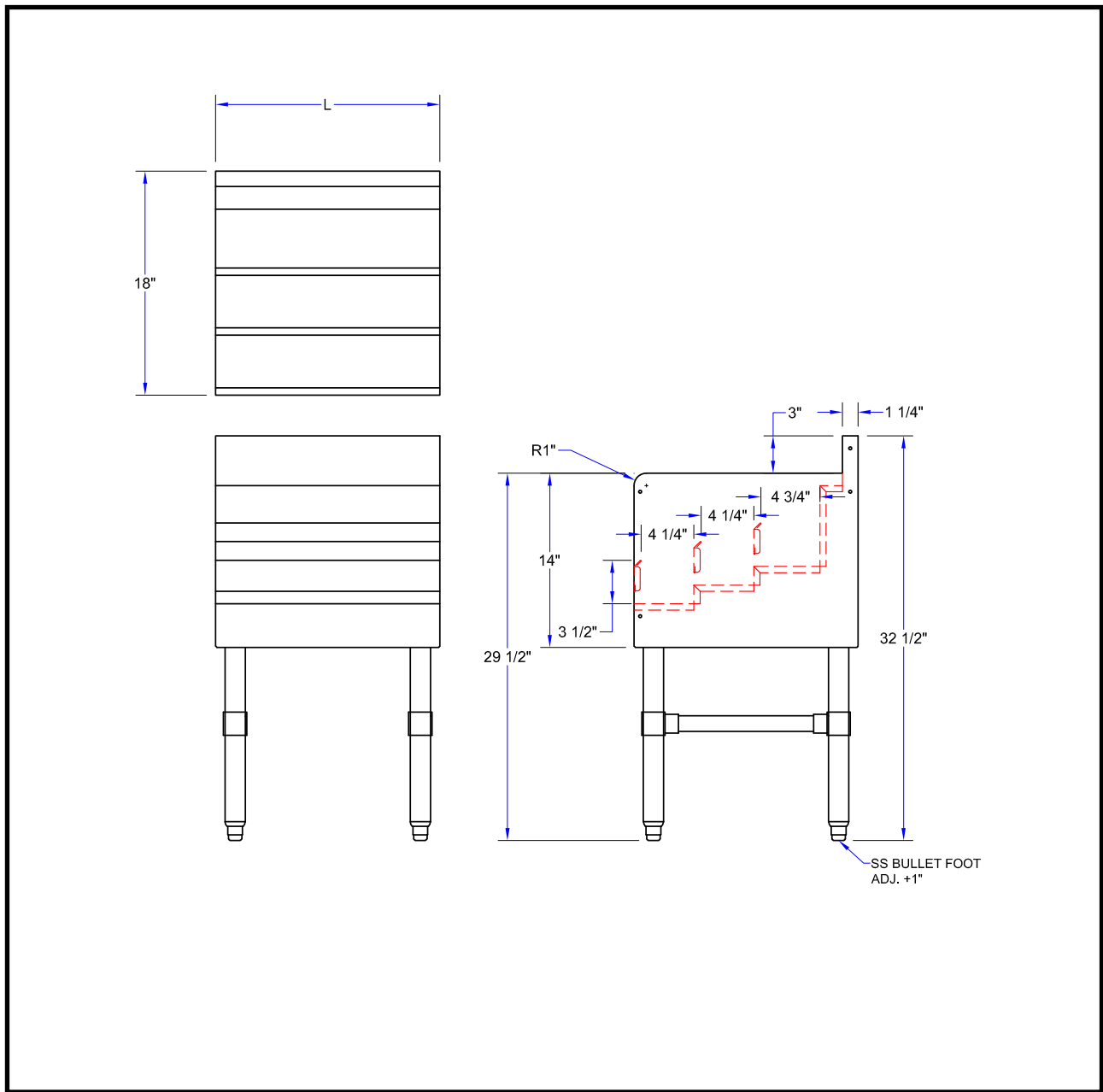


ACCESSORIES	DESCRIPTION
UBSS-18-L	LEFT HAND SIDE SPLASH
UBSS-18-R	RIGHT HAND SIDE SPLASH

LIQUOR DISPLAY CABINET - SLIM-LINE, 18" WIDTH

MODEL #	SIZE (LXWXH)	LENGTH (L)	WT. (LBS)
UBLD-1812	12"X18"X32-1/2"	12"	31
UBLD-1818	18"X18"X32-1/2"	18"	35
UBLD-1824	24"X18"X32-1/2"	24"	39

DETAILED SPECIFICATIONS



LIQUOR DISPLAY CABINET - SLIM-LINE, 18" WIDTH

MODEL #	SIZE (LXWXH)	LENGTH (L)	WT. (LBS)
UBLD-1812	12"X18"X32-1/2"	12"	31
UBLD-1818	18"X18"X32-1/2"	18"	35
UBLD-1824	24"X18"X32-1/2"	24"	39

SOME UNITS SHIP UNASSEMBLED FOR REDUCED SHIPPING COST. ALL DIMENSIONS ARE TYPICAL. TOLERANCE +/- .500"
 John Boos & Co. is constantly engaged in a program of improving products and therefore reserves the right to change specifications without prior notice.



3601 S. Banker St. • Effingham, IL 62401 • quotes@johnboos.com

www.johnboos.com