



ITEM #: _____ QTY: _____
 MODEL #: _____
 PROJECT NAME: _____

112017

3601 S. Banker St. Effingham, IL 62401 • P.O. BOX 609 • Ph: (888) 431-2667 • Fax: (800) 433-2667

"OSC1R" SINGLE OVERSHELVES - CANTILEVERED SERIES

16GA W/ RISER TOP

FEATURES:

- STAINLESS STEEL SHELF WITH STALLION SAFETY EDGE ON FRONT AND 1.5" TURNUP ON REAR
- 16 GAUGE, TYPE 300 STAINLESS STEEL WITH #4 POLISH, STAIN SINISH
- UPRIGHTS ARE 1-1/2" SQUARE 14 GAUGE TUBING, TYPE 300 STAINLESS STEEL WITH #4 POLISH, SATIN FINISH
- SINGLE OVERSHELVES ARE MOUNTED 18" ABOVE TABLE TOP
- OVERSHELVES FEATURE KNOCKDOWN SETUP
- ALL MODELS ARE APPROVED BY THE NATIONAL SANITATION FOUNDATION

CONSTRUCTION:

- STAINLESS STEEL OVERSHELVES ARE TIG WELDED
- EXPOSED WELDS ARE POLISHED TO MATCH ADJACENT SURFACES

MATERIAL:

- SHELF: 16 GAUGE, TYPE 300 STAINLESS STEEL, #4 POLISH, SATIN FINISH
- UPRIGHTS: 1-1/2" ROUND O.D., 14 GAUGE TYPE 300 TUBULAR STAINLESS STEEL #4 POLISH, SATIN FINISH

ACCESSORIES:

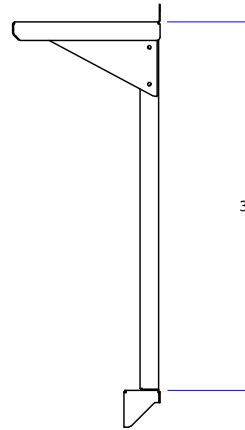
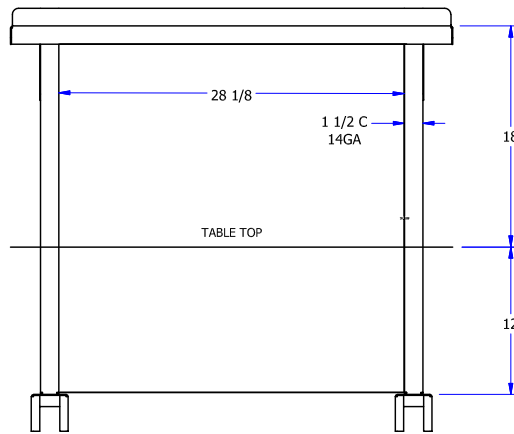
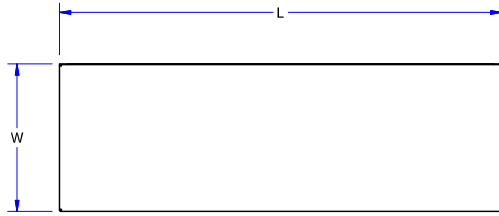
- HEAT LAMP PROVISION: OSEHLP-6XX
 6=WIDTH OF PROVISION, XX=NOMINAL LENGTH OF SHELF



SINGLE OVERSHELVES - CANTILEVERED SERIES

12" WIDTH	QTY
OSC16RK-1236	
OSC16RK-1248	
OSC16RK-1260	
OSC16RK-1272	
OSC16RK-1284	
OSC16RK-1296	
OSC16RK-12108	
OSC16RK-12120	
OSC16RK-12132	
OSC16RK-12144	

DETAILED SPECIFICATIONS



SINGLE OVERSHELVES - CANTILEVERED SERIES

LENGTH	12" WIDTH	WEIGHT (LBS)
36"	OSC16RK-1236	24
48"	OSC16RK-1248	29
60"	OSC16RK-1260	33
72"	OSC16RK-1272	37
84"	OSC16RK-1284	47
96"	OSC16RK-1296	50
108"	OSC16RK-12108	55
120"	OSC16RK-12120	60
132"	OSC16RK-12132	67
144"	OSC16RK-12144	73

MODEL # STRUCTURE

- 6 = GAUGE
- 1 = # OF SHELVES
- C = CANTILEVERED
- OS = OVERSHELF
- R = RISER TOP
- K = KNOCKDOWN
- 12 = WIDTH (FRONT/BACK)
- 36 = LENGTH (LEFT/RIGHT)

OSC16RK-1236

SOME UNITS SHIP UNASSEMBLED FOR REDUCED SHIPPING COST. ALL DIMENSIONS ARE TYPICAL. TOLERANCE +/- .500"

John Boos & Co. is constantly engaged in a program of improving products and therefore reserves the right to change specifications without prior notice.



3601 S. Banker St. • Effingham, IL 62401 • PO BOX 609 • quotes@johnboos.com

112017



www.johnboos.com

721