



ITEM #: _____ QTY: _____
 MODEL #: _____
 PROJECT NAME: _____

050318

3601 S. Banker St. Effingham, IL 62401 • P.O. BOX 609 • Ph: (888) 431-2667 • Fax: (800) 433-2667

"WAL-HMST" HOMESTEAD BLOCK WALNUT TOP
PAINTED BASE

FEATURES:

- SOLID AMERICAN BLACK WALNUT END GRAIN TOP, BOOS BLOCK CREAM FINISH WITH BEESWAX
- SLATTED LOWER SHELF
- SEAMLESS PAINTED UTENSIL DRAWER HIDDEN IN THE APRON
- PAINTED BASE, SEE BASE COLOR CHART FOR OPTIONS

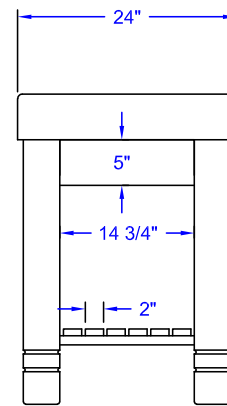
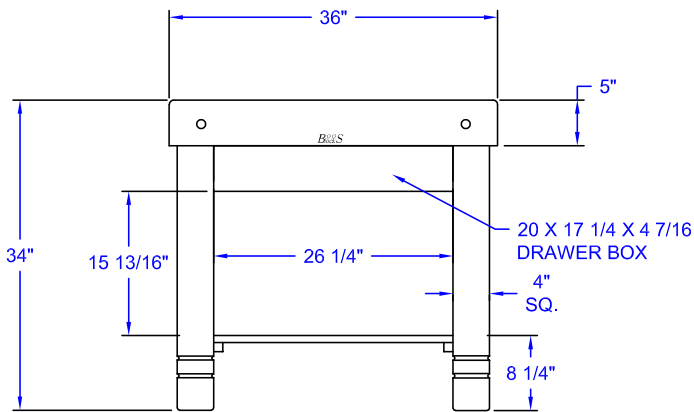
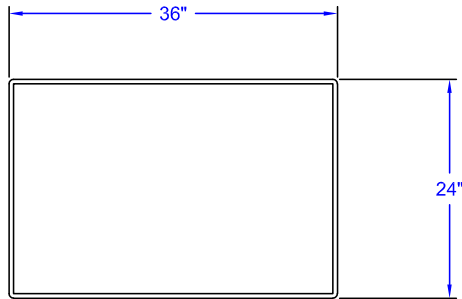


WAL-HMST36245

HOMESTEAD BLOCK WALNUT TOP

MODEL #	QTY
WAL-HMST36245	

DETAILED SPECIFICATIONS



HOMESTEAD BLOCK WALNUT TOP

MODEL #	SIZE	HEIGHT	WEIGHT (LBS)
WAL-HMST36245	36" X 24" X 5"	34"	270

SOME UNITS SHIP UNASSEMBLED FOR REDUCED SHIPPING COST. ALL DIMENSIONS ARE TYPICAL. TOLERANCE +/- .500"
 John Boos & Co. is constantly engaged in a program of improving products and therefore reserves the right to change specifications without prior notice.



3601 S. Banker St. • Effingham, IL 62401 • PO BOX 609 • quotes@johnboos.com

050318

Boos
lock

AQ AutoQuotes

www.johnboos.com

151