



ITEM #: _____ QTY: _____
 MODEL #: _____
 PROJECT NAME: _____

092419

3601 S. Banker St. Effingham, IL 62401 • P.O. BOX 609 • Ph: (888) 431-2667 • Fax: (800) 433-2667

"URN" URN TROUGHS - STAINLESS STEEL 16GA **W/ STAINLESS STEEL GRATE, 1-1/4" DRAIN**

FEATURES:

- TYPE 300 STAINLESS STEEL
- REMOVABLE GRATE FOR EASY CLEANING
- 1" DRAIN ON RIGHT SIDE

CONSTRUCTION:

- ALL TIG WELDED, EXPOSED WELDS ARE POLISHED TO MATCH ADJACENT SURFACE

MATERIAL:

- 16 GAUGE 300 TYPE STAINLESS STEEL



URN TROUGHS - STAINLESS STEEL 16GA

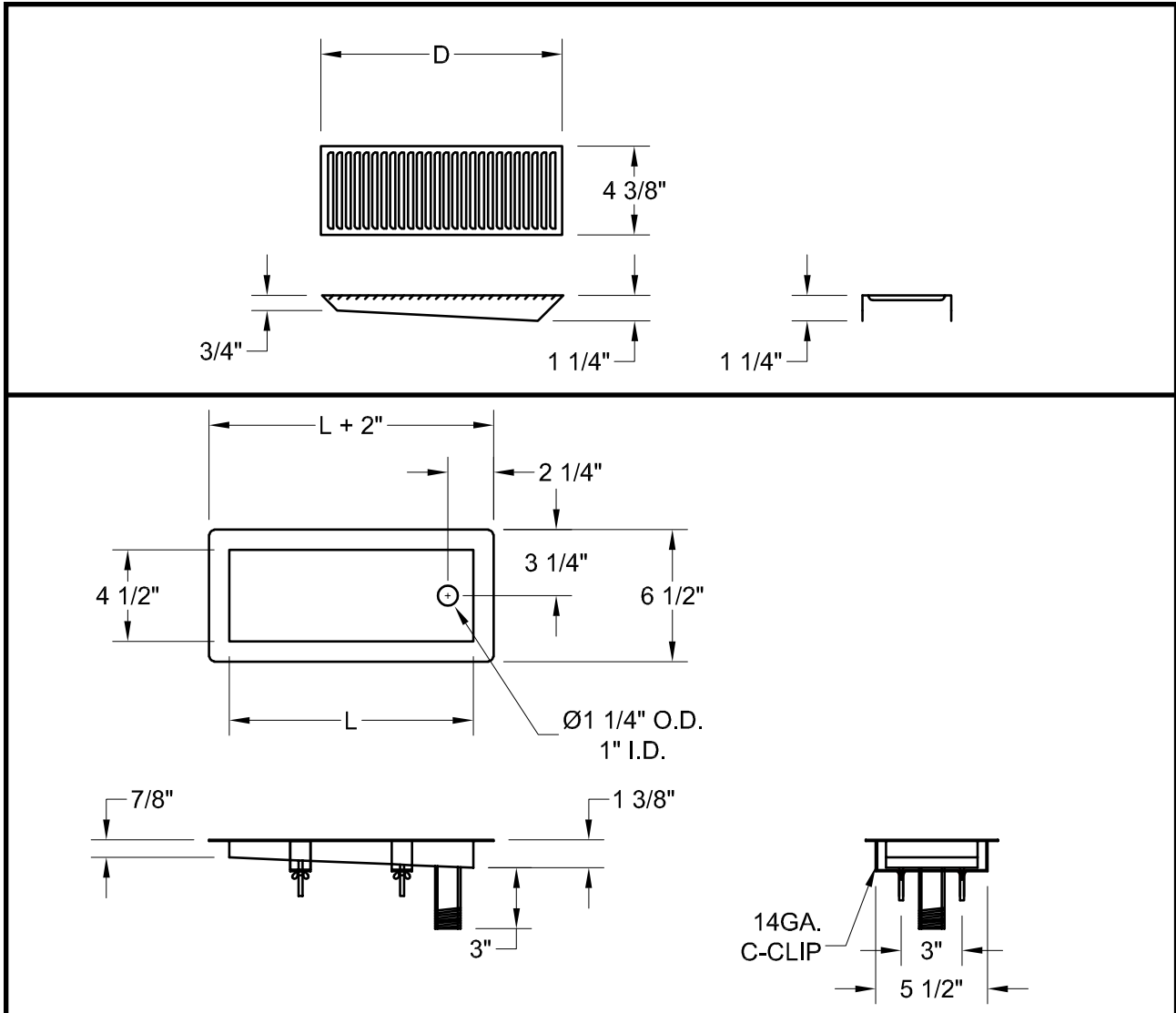
MODEL #	QTY
URN12	
URN18	
URN24	
URN36	
URN48	
URN60	
URN72	

SOME UNITS SHIP UNASSEMBLED FOR REDUCED SHIPPING COST. ALL DIMENSIONS ARE TYPICAL. TOLERANCE +/- .500"

John Boos & Co. is constantly engaged in a program of improving products and therefore reserves the right to change specifications without prior notice.



DETAILED SPECIFICATIONS



URN TROUGHS - STAINLESS STEEL 16GA

MODEL #	SIZE (L X W)	SLOPE	WEIGHT (LBS)
URN12	12" X 4-1/2"	7/8" TO 1-3/8"	5
URN18	18" X 4-1/2"	7/8" TO 1-3/8"	8
URN24	24" X 4-1/2"	7/8" TO 1-3/8"	10
URN36	36" X 4-1/2"	7/8" TO 1-3/8"	15
URN48	48" X 4-1/2"	7/8" TO 1-3/8"	20
URN60	60" X 4-1/2"	7/8" TO 1-3/8"	25
URN72	72" X 4-1/2"	7/8" TO 1-3/8"	30

SOME UNITS SHIP UNASSEMBLED FOR REDUCED SHIPPING COST. ALL DIMENSIONS ARE TYPICAL. TOLERANCE +/- .500"

John Boos & Co. is constantly engaged in a program of improving products and therefore reserves the right to change specifications without prior notice.

