



**John
BOOS**
Since 1887

ITEM #: _____ QTY: _____
 MODEL #: _____
 PROJECT NAME: _____

011018

3601 S. Banker St. Effingham, IL 62401 • P.O. BOX 609 • Ph: (888) 431-2667 • Fax: (800) 433-2667



"TNS" MAPLE TOP WORK TABLES

2-1/4" THICK HARD ROCK MAPLE FLAT TOP W/ STAINLESS STEEL BASE & ADJUSTABLE UNDERSHELF

FEATURES:

- 2-1/4" THICK HARD MAPLE TOP, STYLE "BKSC" FLAT TOP
- MAPLE TOP W/ OIL FINISH W/ OPTIONAL VARNIQUE FINISH
- STAINLESS STEEL BASE AND ADJUSTABLE UNDERSHELF
- ADJUSTABLE BULLET FEET
- SHIPPED KNOCKED-DOWN, EASY-TO-ASSEMBLE
- ALL MODELS ARE NSF CERTIFIED

MATERIAL:

- TOP: NORTHERN HARD ROCK MAPLE
- LEGS: 1-5/8" ROUND O.D. 16 GAUGE TYPE 300 TUBULAR STAINLESS STEEL W/ #4 POLISH, SATIN FINISH
- SHELF: 18 GAUGE TYPE 300 TUBULAR STAINLESS STEEL W/ #4 POLISH, SATIN FINISH
- GUSSETS: STAINLESS STEEL
- FEET: 1" ADJUSTABLE STAINLESS STEEL

OPTIONAL ACCESSORIES

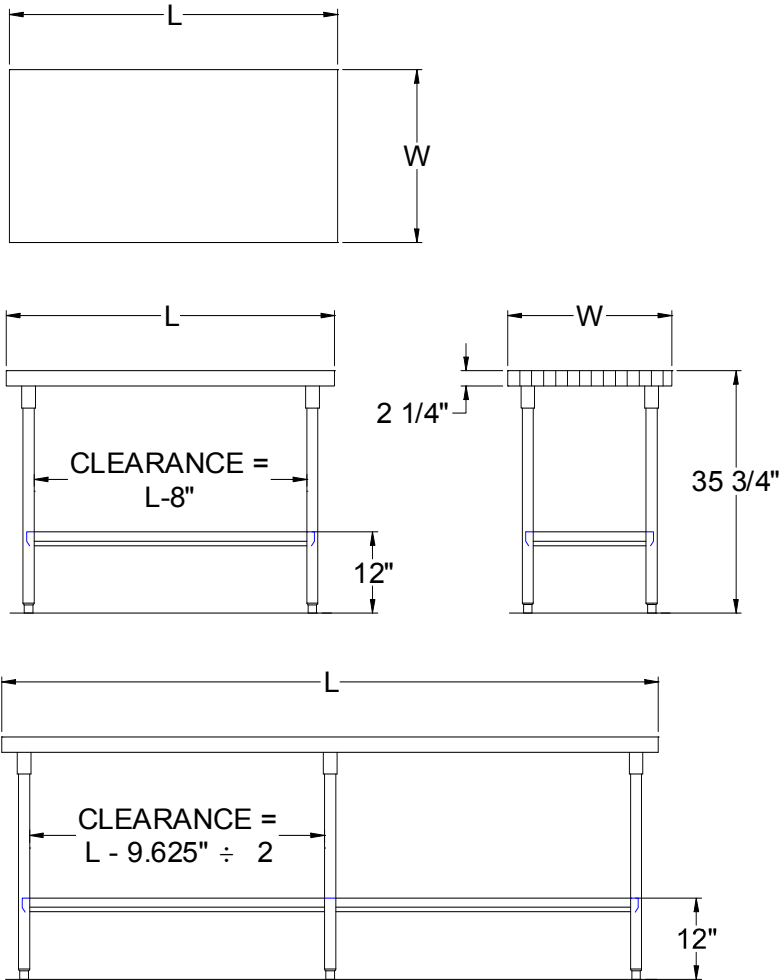
DESCRIPTION	MODEL	QTY
STAINLESS STEEL FEET		
DRAWER		
DRAWER LOCK		
ADJUSTABLE SHELF		
CASTERS		
OVERSHELVES		
POT RACK		



MAPLE TOP WORK TABLES

24" WIDE	QTY	30" WIDE	QTY	36" WIDE	QTY
TNS01		TNS07		TNS13	
TNS02		TNS08		TNS14	
TNS03		TNS09		TNS15	
TNS04		TNS10		TNS16	
TNS04A		TNS10A		TNS16A	
TNS05		TNS11		TNS17	
TNS05A		TNS11A		TNS17A	
TNS06		TNS12		TNS18	

DETAILED SPECIFICATIONS



- UNITS 7 FT. AND LARGER ARE FURNISHED WITH SIX LEGS.
- FINISHED SIZE OF UNDERSHELF.
SHELF LENGTH = LENGTH MINUS 4.875"
SHELF WIDTH = WIDTH MINUS 4.25".

MAPLE TOP WORK TABLES

LENGTH	24" WIDE	WT. (LBS)	30" WIDE	WT. (LBS)	36" WIDE	WT. (LBS)
36"	TNS01	90	TNS07	107	TNS13	122
48"	TNS02	112	TNS08	138	TNS14	158
60"	TNS03	136	TNS09	167	TNS15	192
72"	TNS04	165	TNS10	197	TNS16	227
84"	TNS04A	192	TNS10A	236	TNS16A	271
96"	TNS05	221	TNS11	267	TNS17	306
108"	TNS05A	240	TNS11A	293	TNS17A	338
120"	TNS06	246	TNS12	322	TNS18	372

SOME UNITS SHIP UNASSEMBLED FOR REDUCED SHIPPING COST. ALL DIMENSIONS ARE TYPICAL. TOLERANCE +/- .500"
John Boos & Co. is constantly engaged in a program of improving products and therefore reserves the right to change specifications without prior notice.

