



**John  
BOOS**  
Since 1887

ITEM #: \_\_\_\_\_ QTY: \_\_\_\_\_  
 MODEL #: \_\_\_\_\_  
 PROJECT NAME: \_\_\_\_\_

011218

3601 S. Banker St. Effingham, IL 62401 • P.O. BOX 609 • Ph: (888) 431-2667 • Fax: (800) 433-2667

## **"SBS-S" BAKER'S TABLE FRAME**



### **FEATURES:**

- STAINLESS BASE IS FABRICATED FROM 1-1/2" 16 GAUGE SQUARE TUBE
- LEGS ARE 1-5/8" 16 GAUGE ROUND O.D. TUBING
- BRACING IS 1-1/4" 16 GAUGE ROUND O.D. TUBING SECURED IN A FIXED POSITION, 12" ABOVE FLOOR
- ADJUSTABLE BULLET FEET
- STANDARD WELDED SET-UP, AVAILABLE K.D. FOR FREIGHT SAVING
- ALL MODELS ARE NSF CERTIFIED

### **MATERIAL:**

- FRAME: 1-1/2" 16 GAUGE SQUARE O.D. STAINLESS STEEL
- BRACING: 1-1/4" 16 GAUGE ROUND O.D. STAINLESS STEEL
- LEGS: 1-5/8" 16 GAUGE ROUND O.D. STAINLESS STEEL
- GUSSETS: STAINLESS STEEL
- FEET: 1" ADJUSTABLE STAINLESS STEEL BULLET FEET

### **CONSTRUCTION:**

- BASE: STAINLESS BASES ARE MIG WELDED



SHOWN WITH 2-1/4" THICK HARD ROCK MAPLE TOP MODEL SERIES "BKSC"

IMPORTANT: WHEN ORDERING A COMPLETE TABLE YOU MUST SPECIFY BOTH THE FRAME & WOOD TOP MODEL #

\*(ASTERISK) DENOTES TABLES WITH 6 LEGS

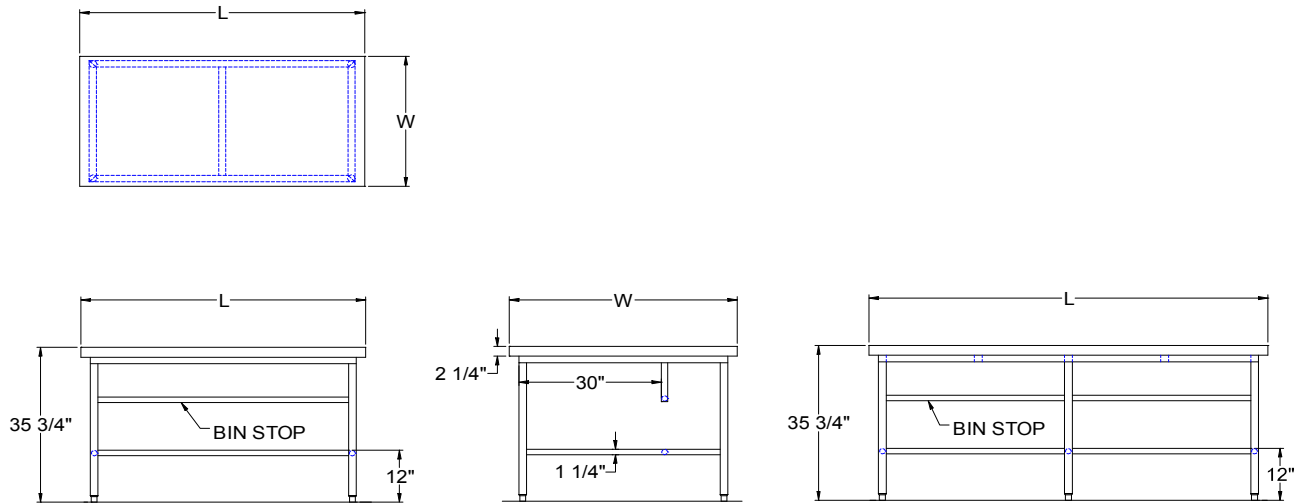
### **OPTIONAL ACCESSORIES**

DESCRIPTION	MODEL	QTY
DRAWER		
DRAWER LOCK		
UNDERSHELF		
CASTERS		
OVERSHELVES		
POT RACK		

### **STAINLESS STEEL BRACE**

30" WIDE			36" WIDE			48" WIDE			60" WIDE		
FRAME	WOOD TOP	QTY	FRAME	WOOD TOP	QTY	FRAME	WOOD TOP	QTY	FRAME	WOOD TOP	QTY
SBS-S01	BKSC760		SBS-S02	BKSC480		-	-		-	-	
SBS-S03	BKSC770		SBS-S04	BKSC490		-	-		-	-	
SBS-S05	BKSC780		SBS-S06	BKSC010		SBS-S07 *	BKSC230		-	-	
SBS-S08 *	BKSC790		SBS-S09 *	BKSC020		SBS-S10 *	BKSC240		SBS-S11 *	BKSC350	
SBS-S12 *	BKSC800		SBS-S13 *	BKSC030		SBS-S14 *	BKSC250		SBS-S15 *	BKSC360	
SBS-S12A *	BKSC810		SBS-S13A *	BKSC040		SBS-S14A *	BKSC260		SBS-S15A *	BKSC370	
SBS-S17 *	BKSC820		SBS-S18 *	BKSC050		SBS-S19 *	BKSC270		SBS-S20 *	BKSC380	
SBS-S22 *	BKSC840		SBS-S23 *	BKSC070		SBS-S24 *	BKSC290		SBS-S25 *	BKSC400	
SBS-S27 *	BKSC860		SBS-S28 *	BKSC090		SBS-S29 *	BKSC310		SBS-S30 *	BKSC420	

# DETAILED SPECIFICATIONS



- UNITS 7 FT. AND LARGER ARE FURNISHED WITH SIX LEGS.

## STAINLESS STEEL BRACE

LENGTH	30" WIDE	WT. (LBS)	36" WIDE	WT. (LBS)	48" WIDE	WT. (LBS)	60" WIDE	WT. (LBS)
48"	SBS-S01	37	SBS-S02	39	-	-	-	-
60"	SBS-S03	41	SBS-S04	42	-	-	-	-
72"	SBS-S05	45	SBS-S06	46	SBS-S07	65	-	-
84"	SBS-S08 *	62	SBS-S09 *	64	SBS-S10 *	72	SBS-S11 *	80
96"	SBS-S12 *	65	SBS-S13 *	68	SBS-S14 *	76	SBS-S15 *	84
108"	SBS-S12A *	69	SBS-S13A *	72	SBS-S14A *	80	SBS-S15A *	87
120"	SBS-S17 *	72	SBS-S18 *	75	SBS-S19 *	83	SBS-S20 *	91
144"	SBS-S22 *	80	SBS-S23 *	82	SBS-S24 *	91	SBS-S25 *	98
168"	SBS-S27 *	100	SBS-S28 *	104	SBS-S29 *	115	SBS-S30 *	126

## BOTTOM BRACE LOCATION

LENGTH	30" WIDE	BRACE	36" WIDE	BRACE	48" WIDE	BRACE	60" WIDE	BRACE
48"	SBS-S01	REAR	SBS-S02	REAR	-	-	-	-
60"	SBS-S03	REAR	SBS-S04	REAR	-	-	-	-
72"	SBS-S05	REAR	SBS-S06	REAR	SBS-S07 *	CENTERED	-	-
84"	SBS-S08 *	REAR	SBS-S09 *	REAR	SBS-S10 *	CENTERED	SBS-S11 *	CENTERED
96"	SBS-S12 *	REAR	SBS-S13 *	REAR	SBS-S14 *	CENTERED	SBS-S15 *	CENTERED
108"	SBS-S12A *	REAR	SBS-S13A *	REAR	SBS-S14A *	CENTERED	SBS-S15A *	CENTERED
120"	SBS-S17 *	REAR	SBS-S18 *	REAR	SBS-S19 *	CENTERED	SBS-S20 *	CENTERED
144"	SBS-S22 *	REAR	SBS-S23 *	REAR	SBS-S24 *	CENTERED	SBS-S25 *	CENTERED
168"	SBS-S27 *	REAR	SBS-S28 *	REAR	SBS-S29 *	CENTERED	SBS-S30 *	CENTERED

SOME UNITS SHIP UNASSEMBLED FOR REDUCED SHIPPING COST. ALL DIMENSIONS ARE TYPICAL. TOLERANCE +/- .500"

John Boos & Co. is constantly engaged in a program of improving products and therefore reserves the right to change specifications without prior notice.

