



**John  
BOOS**  
Since 1887

ITEM #: \_\_\_\_\_ QTY: \_\_\_\_\_  
 MODEL #: \_\_\_\_\_  
 PROJECT NAME: \_\_\_\_\_

011018

3601 S. Banker St. Effingham, IL 62401 • P.O. BOX 609 • Ph: (888) 431-2667 • Fax: (800) 433-2667

## "SBS-G" BAKER'S TABLE FRAME



### FEATURES:

- GALVANIZED BASE IS FABRICATED FROM 1-1/2" 16 GAUGE SQUARE TUBE
- LEGS ARE 1-5/8" 16 GAUGE ROUND O.D. TUBING
- BRACING IS 1-1/4" 16 GAUGE ROUND O.D. TUBING SECURED IN A FIXED POSITION, 12" ABOVE FLOOR
- ADJUSTABLE BULLET FEET
- STANDARD WELDED SET-UP, AVAILABLE K.D. FOR FREIGHT SAVING
- ALL MODELS ARE NSF CERTIFIED

### MATERIAL:

- FRAME: 1-1/2" 16 GAUGE SQUARE O.D. GALVANIZED STEEL
- BRACING: 1-1/4" 16 GAUGE ROUND O.D. GALVANIZED STEEL
- LEGS: 1-5/8" 16 GAUGE ROUND O.D. GALVANIZED STEEL
- GUSSETS: GALVANIZED STEEL
- FEET: 1" ADJUSTABLE GALVANIZED STEEL BULLET FEET

### CONSTRUCTION:

- BASE: GALVANIZED BASES ARE MIG WELDED



SHOWN WITH 2-1/4" THICK HARD ROCK MAPLE TOP MODEL SERIES "BKSC"

IMPORTANT: WHEN ORDERING A COMPLETE TABLE YOU MUST SPECIFY BOTH THE FRAME & WOOD TOP MODEL #

\* (ASTERISK) DENOTES TABLES WITH 6 LEGS

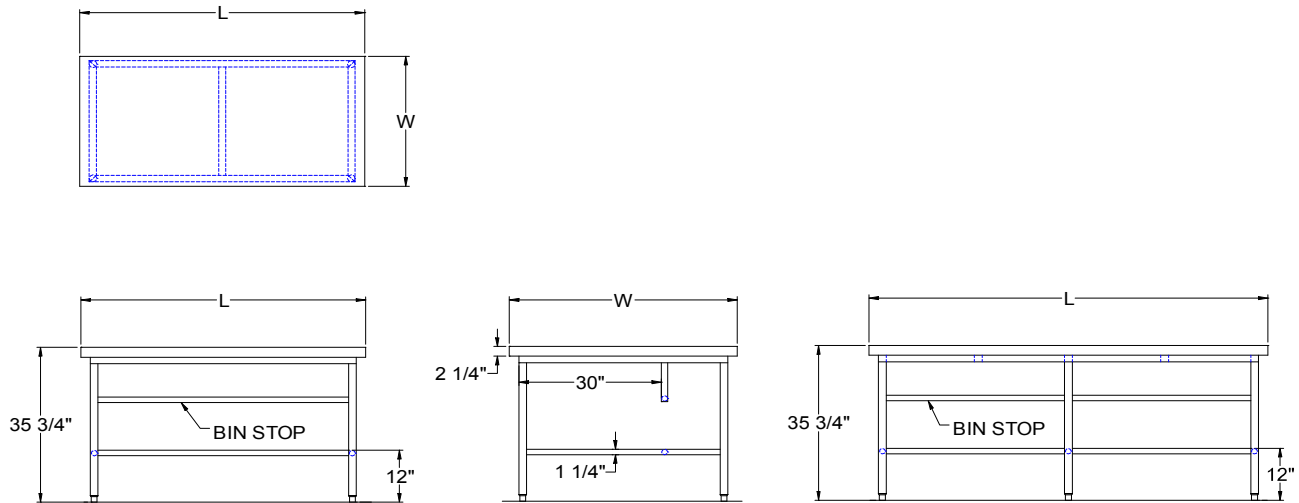
### OPTIONAL ACCESSORIES

DESCRIPTION	MODEL	QTY
DRAWER		
DRAWER LOCK		
UNDERSHELF		
CASTERS		
OVERSHELVES		
POT RACK		

### GALVANIZED STEEL BRACE

30" WIDE			36" WIDE			48" WIDE			60" WIDE		
FRAME	WOOD TOP	QTY	FRAME	WOOD TOP	QTY	FRAME	WOOD TOP	QTY	FRAME	WOOD TOP	QTY
SBS-G01	BKSC760		SBS-G02	BKSC480		-	-		-	-	
SBS-G03	BKSC770		SBS-G04	BKSC490		-	-		-	-	
SBS-G05	BKSC780		SBS-G06	BKSC010		SBS-G07 *	BKSC230		-	-	
SBS-G08 *	BKSC790		SBS-G09 *	BKSC020		SBS-G10 *	BKSC240		SBS-G11 *	BKSC350	
SBS-G12 *	BKSC800		SBS-G13 *	BKSC030		SBS-G14 *	BKSC250		SBS-G15 *	BKSC360	
SBS-G12A *	BKSC810		SBS-G13A *	BKSC040		SBS-G14A *	BKSC260		SBS-G15A *	BKSC370	
SBS-G17 *	BKSC820		SBS-G18 *	BKSC050		SBS-G19 *	BKSC270		SBS-G20 *	BKSC380	
SBS-G22 *	BKSC840		SBS-G23 *	BKSC070		SBS-G24 *	BKSC290		SBS-G25 *	BKSC400	
SBS-G27 *	BKSC860		SBS-G28 *	BKSC090		SBS-G29 *	BKSC310		SBS-G30 *	BKSC420	

# DETAILED SPECIFICATIONS



- UNITS 7 FT. AND LARGER ARE FURNISHED WITH SIX LEGS.

## GALVANIZED STEEL BRACE

LENGTH	30" WIDE	WT. (LBS)	36" WIDE	WT. (LBS)	48" WIDE	WT. (LBS)	60" WIDE	WT. (LBS)
48"	SBS-G01	34	SBS-G02	36	-	-	-	-
60"	SBS-G03	38	SBS-G04	40	-	-	-	-
72"	SBS-G05	42	SBS-G06	44	SBS-G07	54	-	-
84"	SBS-G08 *	57	SBS-G09 *	60	SBS-G10 *	68	SBS-G11 *	76
96"	SBS-G12 *	61	SBS-G13 *	64	SBS-G14 *	72	SBS-G15 *	80
108"	SBS-G12A *	65	SBS-G13A *	68	SBS-G14A *	76	SBS-G15A *	84
120"	SBS-G17 *	68	SBS-G18 *	71	SBS-G19 *	80	SBS-G20 *	88
144"	SBS-G22 *	76	SBS-G23 *	79	SBS-G24 *	88	SBS-G25 *	96
168"	SBS-G27 *	95	SBS-G28 *	99	SBS-G29 *	111	SBS-G30 *	122

## BOTTOM BRACE LOCATION

LENGTH	30" WIDE	BRACE	36" WIDE	BRACE	48" WIDE	BRACE	60" WIDE	BRACE
48"	SBS-G01	REAR	SBS-G02	REAR	-	-	-	-
60"	SBS-G03	REAR	SBS-G04	REAR	-	-	-	-
72"	SBS-G05	REAR	SBS-G06	REAR	SBS-G07 *	CENTERED	-	-
84"	SBS-G08 *	REAR	SBS-G09 *	REAR	SBS-G10 *	CENTERED	SBS-G11 *	CENTERED
96"	SBS-G12 *	REAR	SBS-G13 *	REAR	SBS-G14 *	CENTERED	SBS-G15 *	CENTERED
108"	SBS-G12A *	REAR	SBS-G13A *	REAR	SBS-G14A *	CENTERED	SBS-G15A *	CENTERED
120"	SBS-G17 *	REAR	SBS-G18 *	REAR	SBS-G19 *	CENTERED	SBS-G20 *	CENTERED
144"	SBS-G22 *	REAR	SBS-G23 *	REAR	SBS-G24 *	CENTERED	SBS-G25 *	CENTERED
168"	SBS-G27 *	REAR	SBS-G28 *	REAR	SBS-G29 *	CENTERED	SBS-G30 *	CENTERED

SOME UNITS SHIP UNASSEMBLED FOR REDUCED SHIPPING COST. ALL DIMENSIONS ARE TYPICAL. TOLERANCE +/- .500"

John Boos & Co. is constantly engaged in a program of improving products and therefore reserves the right to change specifications without prior notice.



3601 S. Banker St. • Effingham, IL 62401 • PO BOX 609 • quotes@johnboos.com

011218

Boos  
locks

AQ AutoQuotes

www.johnboos.com

399