



**John
BOOS**
Since 1887

ITEM #: _____ QTY: _____
 MODEL #: _____
 PROJECT NAME: _____

011018

3601 S. Banker St. Effingham, IL 62401 • P.O. BOX 609 • Ph: (888) 431-2667 • Fax: (800) 433-2667

"SBO-G" BAKER'S TABLE FRAME



FEATURES:

- GALVANIZED BASE IS FABRICATED FROM 1-1/2" 16 GAUGE SQUARE TUBE
- LEGS ARE 1-5/8" 16 GAUGE ROUND O.D. TUBING
- BRACING IS 1-1/4" 16 GAUGE ROUND O.D. TUBING SECURED IN A FIXED POSITION, 12" ABOVE FLOOR
- ADJUSTABLE BULLET FEET
- STANDARD WELDED SET-UP, AVAILABLE K.D. FOR FREIGHT SAVING
- ALL MODELS ARE NSF CERTIFIED

MATERIAL:

- FRAME: 1-1/2" 16 GAUGE SQUARE O.D. GALVANIZED STEEL
- BRACING: 1-1/4" 16 GAUGE ROUND O.D. GALVANIZED STEEL
- LEGS: 1-5/8" 16 GAUGE ROUND O.D. GALVANIZED STEEL
- GUSSETS: GALVANIZED STEEL
- FEET: 1" ADJUSTABLE GALVANIZED STEEL BULLET FEET

CONSTRUCTION:

- BASE: GALVANIZED BASES ARE MIG WELDED



SHOWN WITH 2-1/4" THICK HARD ROCK MAPLE TOP MODEL SERIES "BKSC"

IMPORTANT: WHEN ORDERING A COMPLETE TABLE YOU MUST SPECIFY BOTH THE FRAME & WOOD TOP MODEL #

* (ASTERISK) DENOTES TABLES WITH 6 LEGS

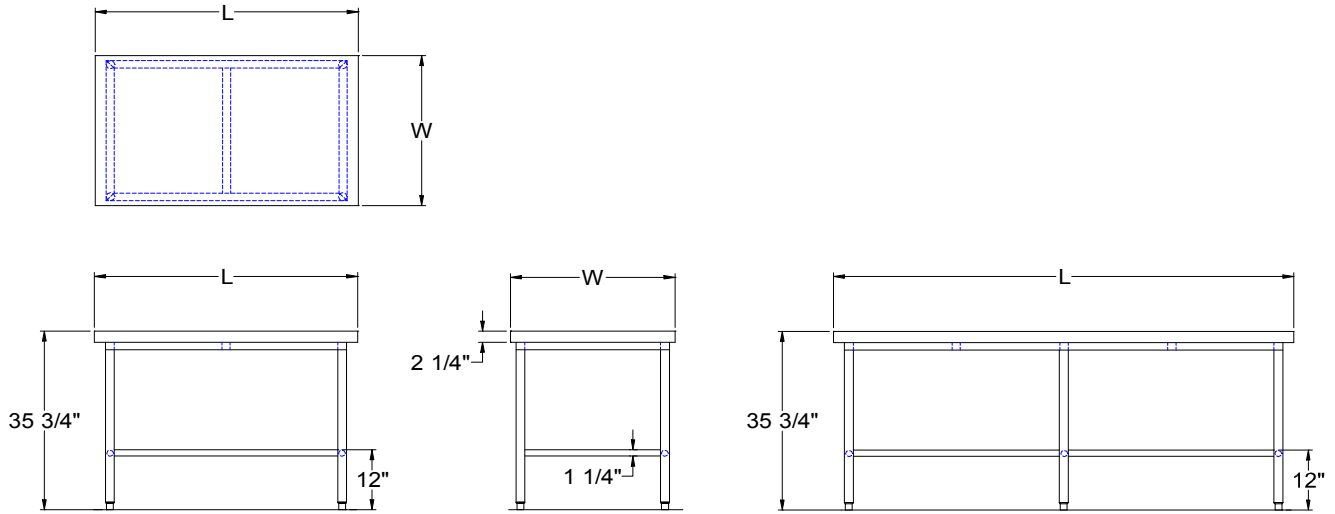
OPTIONAL ACCESSORIES

DESCRIPTION	MODEL #	QTY
DRAWER		
DRAWER LOCK		
UNDERSHELF		
CASTERS		
OVERSHELVES		
POT RACK		

BAKER'S TABLE FRAME

30" WIDE			36" WIDE			48" WIDE			60" WIDE		
FRAME	WOOD TOP	QTY	FRAME	WOOD TOP	QTY	FRAME	WOOD TOP	QTY	FRAME	WOOD TOP	QTY
SBO-G01	BKSC760		SBO-G02	BKSC480		-	-		-	-	
SBO-G03	BKSC770		SBO-G04	BKSC490		-	-		-	-	
SBO-G05	BKSC780		SBO-G06	BKSC010		SBO-G07 *	BKSC230		-	-	
SBO-G08 *	BKSC790		SBO-G09 *	BKSC020		SBO-G10 *	BKSC240		SBO-G11 *	BKSC350	
SBO-G12 *	BKSC800		SBO-G13 *	BKSC030		SBO-G14 *	BKSC250		SBO-G15 *	BKSC360	
SBO-G12A *	BKSC810		SBO-G13A *	BKSC040		SBO-G14A *	BKSC260		SBO-G15A *	BKSC370	
SBO-G17 *	BKSC820		SBO-G18 *	BKSC050		SBO-G19 *	BKSC270		SBO-G20 *	BKSC380	
SBO-G22 *	BKSC840		SBO-G23 *	BKSC070		SBO-G24 *	BKSC290		SBO-G25 *	BKSC400	
SBO-G27 *	BKSC860		SBO-G28 *	BKSC090		SBO-G29 *	BKSC310		SBO-G30 *	BKSC420	

DETAILED SPECIFICATIONS



- UNITS 7 FT. AND LARGER ARE FURNISHED WITH SIX LEGS.

GALVANIZED STEEL BRACE

LENGTH	30" WIDE	WT. (LBS)	36" WIDE	WT. (LBS)	48" WIDE	WT. (LBS)	60" WIDE	WT. (LBS)
48"	SBO-G01	32	SBO-G02	34	-	-	-	-
60"	SBO-G03	36	SBO-G04	37	-	-	-	-
72"	SBO-G05	38	SBO-G06	40	SBO-G07 *	50	-	-
84"	SBO-G08 *	53	SBO-G09 *	56	SBO-G10 *	64	SBO-G11 *	72
96"	SBO-G12 *	56	SBO-G13 *	59	SBO-G14 *	67	SBO-G15 *	76
108"	SBO-G12A *	60	SBO-G13A *	62	SBO-G14A *	70	SBO-G15A *	78
120"	SBO-G17 *	62	SBO-G18 *	66	SBO-G19 *	74	SBO-G20 *	82
144"	SBO-G22 *	69	SBO-G23 *	72	SBO-G24 *	80	SBO-G25 *	88
168"	SBO-G27 *	86	SBO-G28 *	90	SBO-G29 *	102	SBO-G30 *	113

BOTTOM BRACE LOCATION

LENGTH	30" WIDE	BRACE	36" WIDE	BRACE	48" WIDE	BRACE	60" WIDE	BRACE
48"	SBO-G01	REAR	SBO-G02	REAR	-	-	-	-
60"	SBO-G03	REAR	SBO-G04	REAR	-	-	-	-
72"	SBO-G05	REAR	SBO-G06	REAR	SBO-G07 *	CENTERED	-	-
84"	SBO-G08 *	REAR	SBO-G09 *	REAR	SBO-G10 *	CENTERED	SBO-G11 *	CENTERED
96"	SBO-G12 *	REAR	SBO-G13 *	REAR	SBO-G14 *	CENTERED	SBO-G15 *	CENTERED
108"	SBO-G12A *	REAR	SBO-G13A *	REAR	SBO-G14A *	CENTERED	SBO-G15A *	CENTERED
120"	SBO-G17 *	REAR	SBO-G18 *	REAR	SBO-G19 *	CENTERED	SBO-G20 *	CENTERED
144"	SBO-G22 *	REAR	SBO-G23 *	REAR	SBO-G24 *	CENTERED	SBO-G25 *	CENTERED
168"	SBO-G27 *	REAR	SBO-G28 *	REAR	SBO-G29 *	CENTERED	SBO-G30 *	CENTERED

SOME UNITS SHIP UNASSEMBLED FOR REDUCED SHIPPING COST. ALL DIMENSIONS ARE TYPICAL. TOLERANCE +/- .500"

John Boos & Co. is constantly engaged in a program of improving products and therefore reserves the right to change specifications without prior notice.

