

ITEM #: _____ QTY: _____
 MODEL #: _____
 PROJECT NAME: _____

021218

3601 S. Banker St. Effingham, IL 62401 • P.O. BOX 609 • Ph: (888) 431-2667 • Fax: (800) 433-2667

"RN-BF" BLOC DE FOYER

FEATURES:

- CHERRY END GRAIN TOP, STANDARD BOOS BLOCK CREAM FINISH WITH BEESWAX
- BLACK PAINTED BASE WITH APRON DRAWER
- SLATTED LOWER SHELF

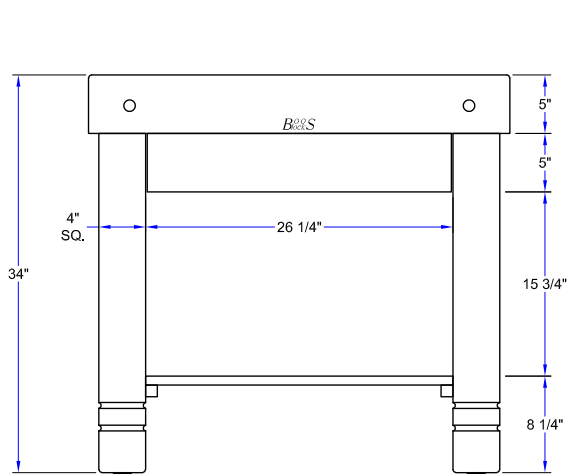
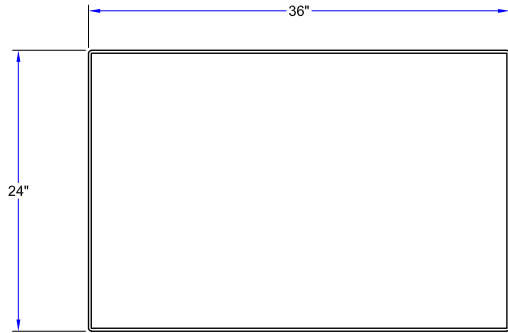


RN-BF

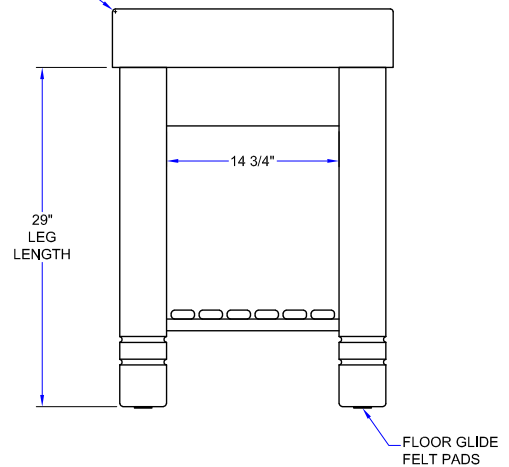
BLOC DE FOYER

MODEL #	QTY
RN-BF	

DETAILED SPECIFICATIONS



R1/4" EDGE DETAIL
TOP AND CORNERS
BOTTOM EDGE EASED



BLOC DE FOYER

MODEL #	SIZE	HEIGHT	WEIGHT (LBS)
RN-BF	36" X 24" X 5"	34"	233

SOME UNITS SHIP UNASSEMBLED FOR REDUCED SHIPPING COST. ALL DIMENSIONS ARE TYPICAL. TOLERANCE +/- .500"
John Boos & Co. is constantly engaged in a program of improving products and therefore reserves the right to change specifications without prior notice.



Boos
lock

AQ AutoQuotes

3601 S. Banker St. • Effingham, IL 62401 • PO BOX 609 • quotes@johnboos.com

www.johnboos.com

021218

187