



**John
BOOS**
Since 1887

ITEM #: _____ QTY: _____

MODEL #: _____

PROJECT NAME: _____

022719

3601 S. Banker St. Effingham, IL 62401 • P.O. BOX 609 • Ph: (888) 431-2667 • Fax: (800) 433-2667

"PRD-C" DOUBLE BAR POT RACKS - STAINLESS STEEL



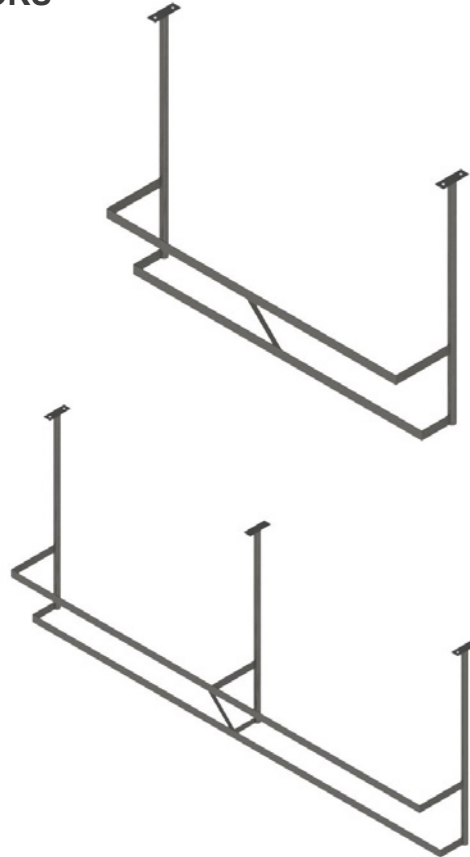
CEILING MOUNT & STAINLESS STEEL HOOKS

FEATURES:

- TYPE 300 STAINLESS STEEL
- ALL RACKS PROVIDED W/ TYPE 300 STAINLESS STEEL HOOKS (SEE CHART FOR QUANTITY PER SIZE)
- WELDED SETUP
- STANDARD CEILING MOUNT
- RECOMMENDED CEILING HEIGHT 10'
- NSF AND CSA CERTIFIED

MATERIAL:

- MADE OF 3/16" X 2" STAINLESS STEEL FLAT BAR
- UPRIGHTS: 1-5/8" OD ROUND TUBE, 16GA TYPE 300 STAINLESS STEEL

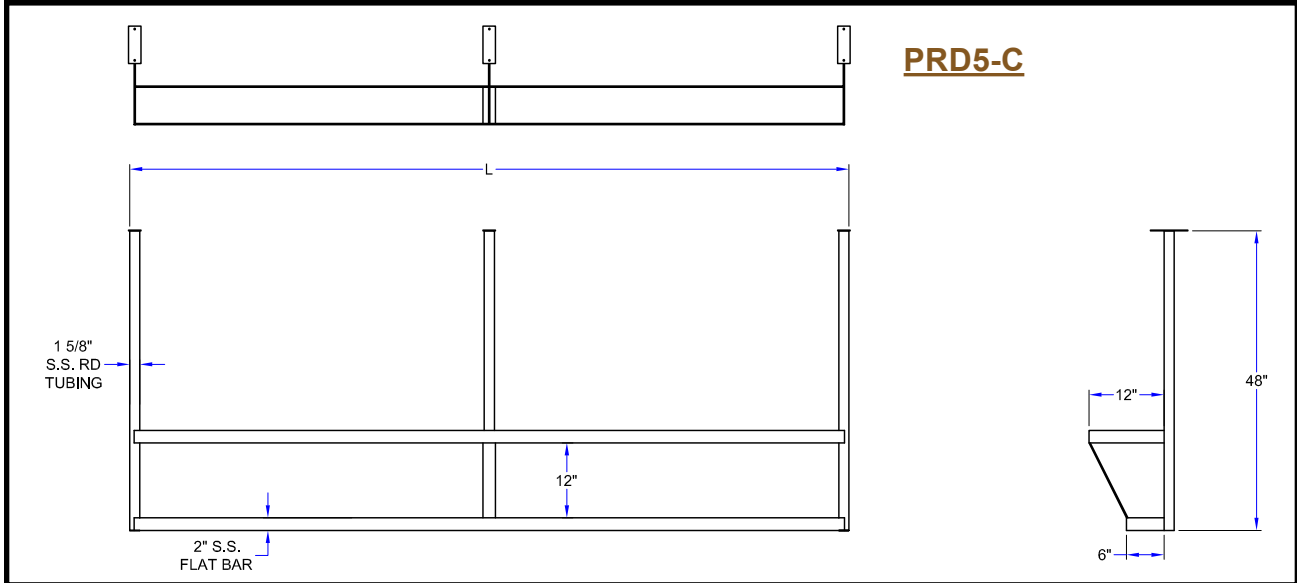
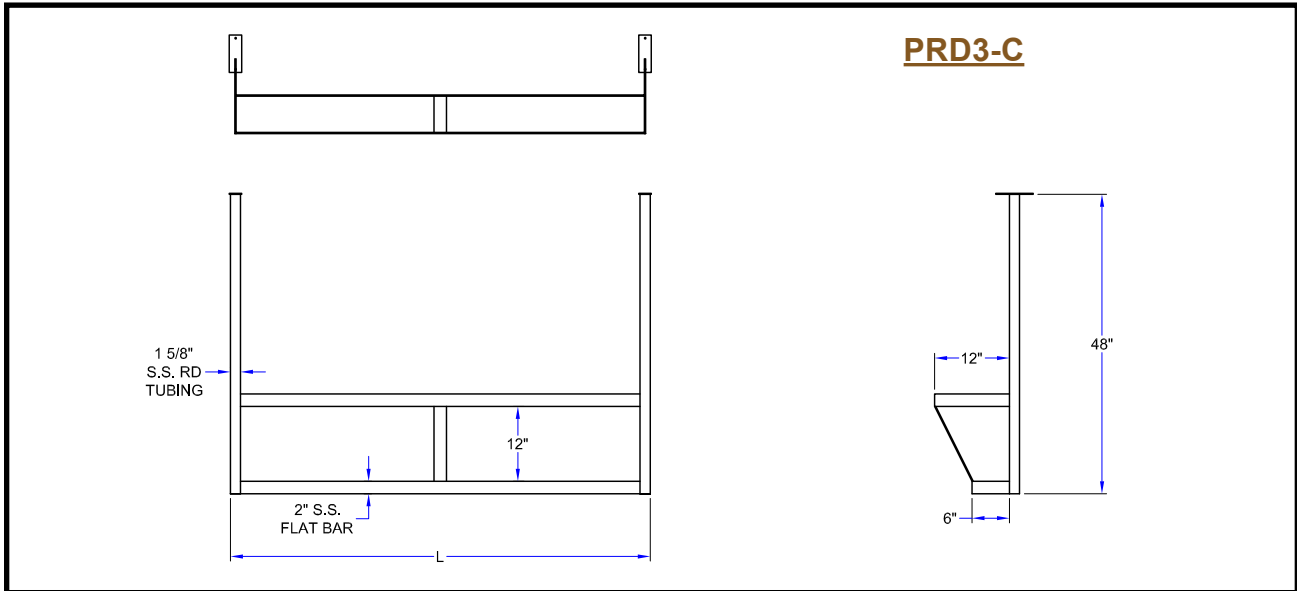


DOUBLE BAR POT RACKS - STAINLESS STEEL

TABLE LENGTH	L	MODEL #	QTY
36"	31-1/4"	PRD1A-C	
48"	43-1/4"	PRD1-C	
60"	55-1/4"	PRD2-C	
72"	67-1/4"	PRD3-C	
84"	79-1/4"	PRD3A-C *	
96"	91-1/4"	PRD4-C *	
108"	103-1/4"	PRD4A-C *	
120"	115-1/4"	PRD5-C *	
132"	127-1/4"	PRD6-C *	
144"	139-1/4"	PRD7-C *	

* Furnished w/ 3 legs

DETAILED SPECIFICATIONS



DOUBLE BAR POT RACKS - STAINLESS STEEL

TABLE LENGTH	L	MODEL #	HOOKS	WEIGHT (LBS)
36"	31-1/4"	PRD1A-C	6	14
48"	43-1/4"	PRD1-C	8	18
60"	55-1/4"	PRD2-C	10	23
72"	67-1/4"	PRD3-C	12	27
84"	79-1/4"	PRD3A-C *	14	32
96"	91-1/4"	PRD4-C *	16	41
108"	103-1/4"	PRD4A-C *	18	46
120"	115-1/4"	PRD5-C *	20	45
132"	127-1/4"	PRD6-C *	22	50
144"	139-1/4"	PRD7-C *	24	55

* Furnished w/ 3 legs

SOME UNITS SHIP UNASSEMBLED FOR REDUCED SHIPPING COST. ALL DIMENSIONS ARE TYPICAL. TOLERANCE +/- .500"

John Boos & Co. is constantly engaged in a program of improving products and therefore reserves the right to change specifications without prior notice.



3601 S. Banker St. • Effingham, IL 62401 • PO BOX 609 • quotes@johnboos.com

022719



www.johnboos.com

505