



**John
BOOS**
Since 1887

ITEM #: _____ QTY: _____
 MODEL #: _____
 PROJECT NAME: _____

040819

3601 S. Banker St. Effingham, IL 62401 • P.O. BOX 609 • Ph: (888) 431-2667 • Fax: (800) 433-2667

"PRB-C" BOAT SHAPED POT RACKS - STAINLESS STEEL

CEILING MOUNT & STAINLESS STEEL HOOKS

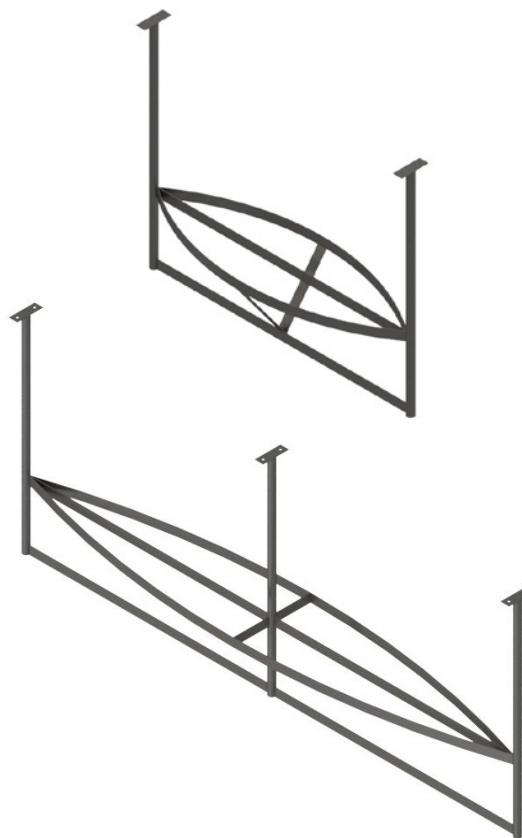


FEATURES:

- TYPE 300 STAINLESS STEEL
- ALL RACKS PROVIDED W/ TYPE 300 STAINLESS STEEL HOOKS (SEE CHART FOR QUANTITY PER SIZE)
- WELDED SETUP
- STANDARD CEILING MOUNT
- RECOMMENDED CEILING HEIGHT 10'
- NSF AND CSA CERTIFIED

MATERIAL:

- MADE OF 3/16" X 2" STAINLESS STEEL FLAT BAR
- UPRIGHTS: 1-1/4" X 1/8" THICK STAINLESS STEEL FLAT BAR, TYPE 300 STAINLESS STEEL

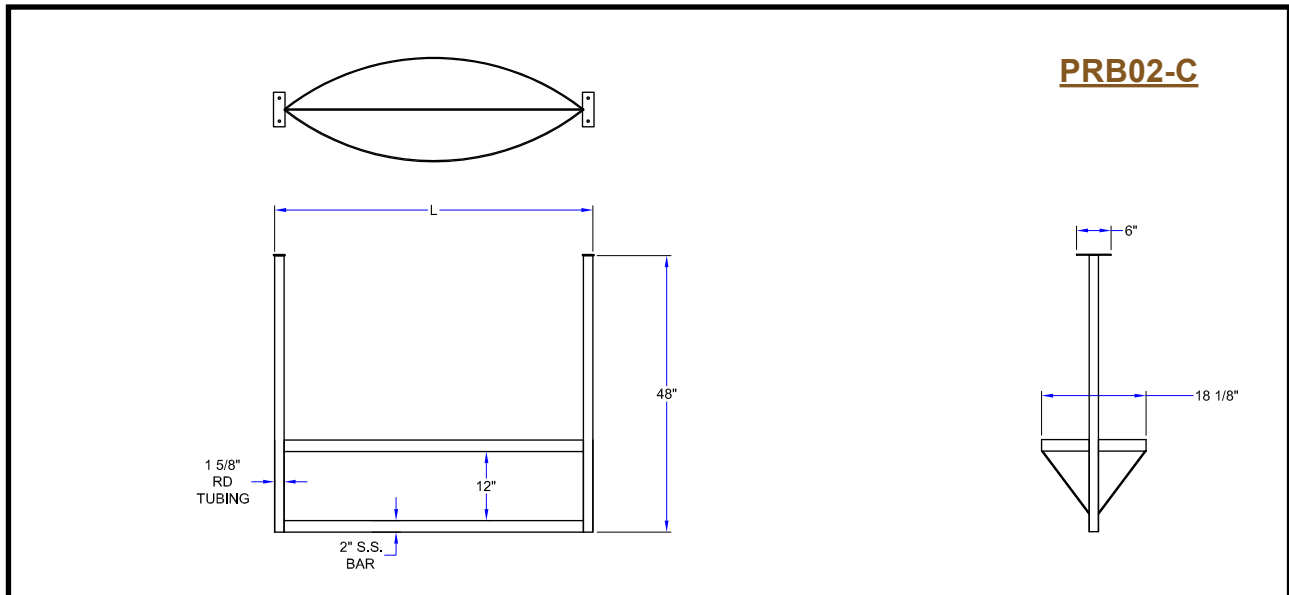


BOAT SHAPED POT RACKS - STAINLESS STEEL

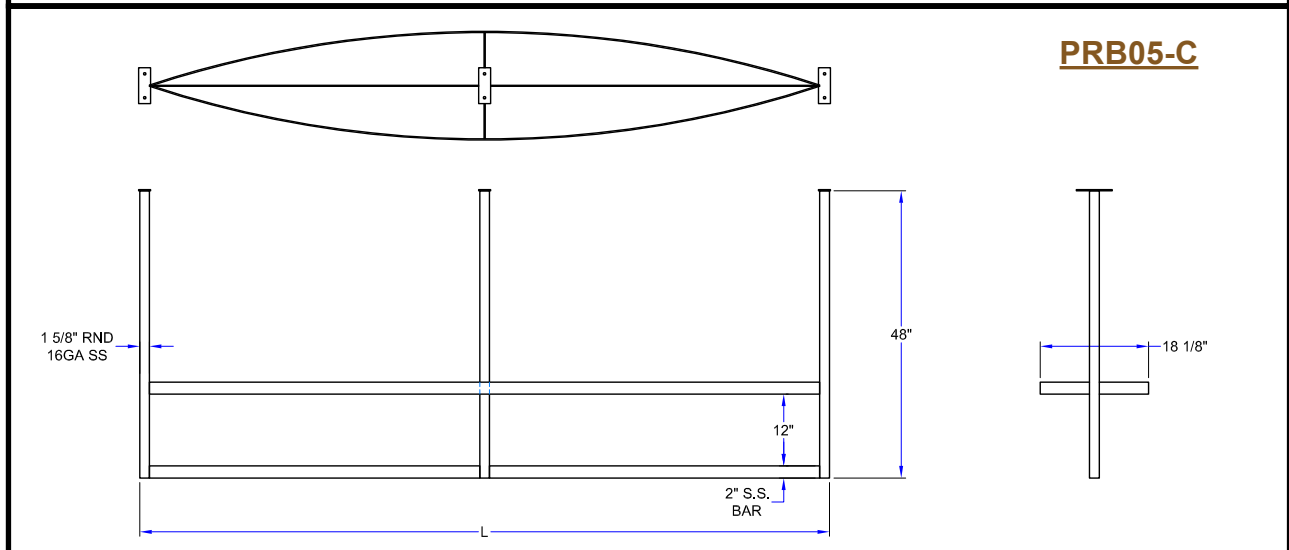
TABLE LENGTH	L	MODEL #	QTY
36"	31-1/4"	PRB01A-C	
48"	43-1/4"	PRB01-C	
60"	55-1/4"	PRB02-C	
72"	67-1/4"	PRB03-C	
84"	79-1/4"	PRB03A-C *	
96"	91-1/4"	PRB04-C *	
108"	103-1/4"	PRB04A-C *	
120"	115-1/4"	PRB05-C *	
132"	127-1/4"	PRB06-C *	
144"	139-1/4"	PRB07-C *	

* Furnished w/ 3 legs

DETAILED SPECIFICATIONS



PRB02-C



PRB05-C

BOAT SHAPED POT RACKS - STAINLESS STEEL

TABLE LENGTH	L	MODEL #	HOOKS	WEIGHT (LBS)
36"	31-1/4"	PRB01A-C	9	21
48"	43-1/4"	PRB01-C	12	30
60"	55-1/4"	PRB02-C	15	38
72"	67-1/4"	PRB03-C	18	45
84"	79-1/4"	PRB03A-C *	21	53
96"	91-1/4"	PRB04-C *	24	70
108"	103-1/4"	PRB04A-C *	27	75
120"	115-1/4"	PRB05-C *	30	67
132"	127-1/4"	PRB06-C *	33	73
144"	139-1/4"	PRB07-C *	36	80

* Furnished w/ 3 legs

SOME UNITS SHIP UNASSEMBLED FOR REDUCED SHIPPING COST. ALL DIMENSIONS ARE TYPICAL. TOLERANCE +/- .500"

John Boos & Co. is constantly engaged in a program of improving products and therefore reserves the right to change specifications without prior notice.



3601 S. Banker St. • Effingham, IL 62401 • PO BOX 609 • quotes@johnboos.com

www.johnboos.com

040819

539