



**John
BOOS**
Since 1887

ITEM #: _____ QTY: _____

MODEL #: _____

PROJECT NAME: _____

022719

3601 S. Banker St. Effingham, IL 62401 • P.O. BOX 609 • Ph: (888) 431-2667 • Fax: (800) 433-2667

"PRB" BOAT SHAPED POT RACKS - STAINLESS STEEL

TABLE MOUNT & STAINLESS STEEL HOOKS



FEATURES:

- TYPE 300 STAINLESS STEEL
- ALL RACKS PROVIDED W/ TYPE 300 STAINLESS STEEL HOOKS (SEE CHART FOR QUANTITY PER SIZE)
- WELDED SETUP
- STANDARD TABLE MOUNT
- NSF AND CSA CERTIFIED

MATERIAL:

- MADE OF 3/16" X 2" STAINLESS STEEL FLAT BAR
- UPRIGHTS: 1-5/8" OD ROUND TUBE, 16GA TYPE 300 STAINLESS STEEL

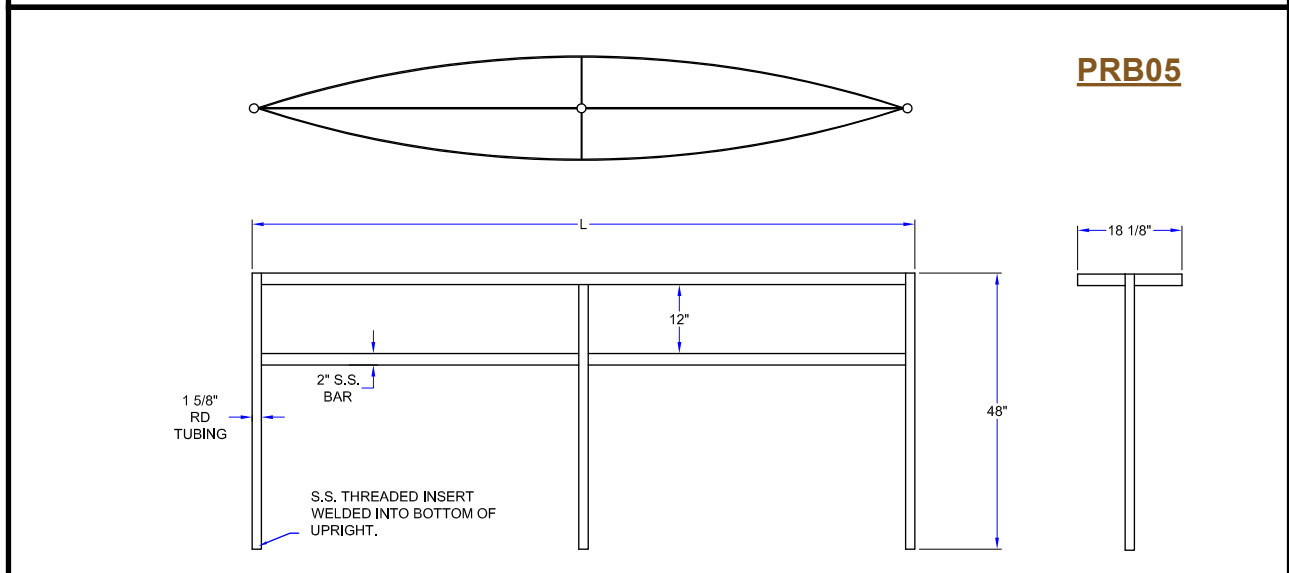
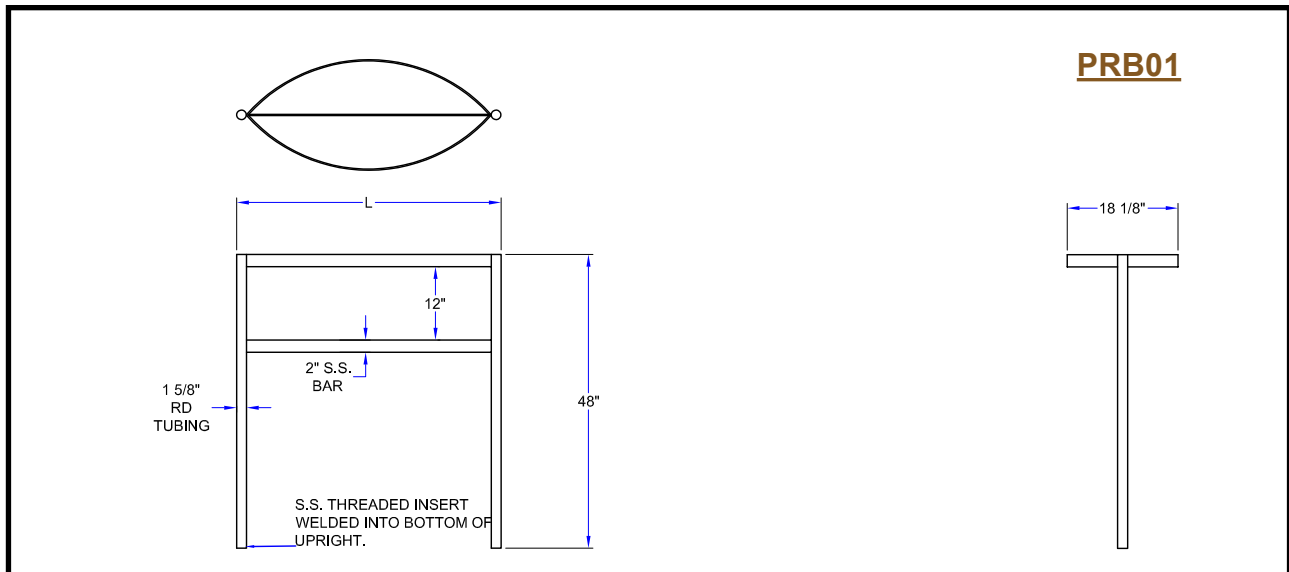


BOAT SHAPED POT RACKS - STAINLESS STEEL

TABLE LENGTH	L	MODEL #	QTY
36"	31-1/4"	PRB01A	
48"	43-1/4"	PRB01	
60"	55-1/4"	PRB02	
72"	67-1/4"	PRB03	
84"	79-1/4"	PRB03A *	
96"	91-1/4"	PRB04 *	
108"	103-1/4"	PRB04A *	
120"	115-1/4"	PRB05 *	
132"	127-1/4"	PRB06 *	
144"	139-1/4"	PRB07 *	

* Furnished w/ 3 legs

DETAILED SPECIFICATIONS



BOAT SHAPED POT RACKS - STAINLESS STEEL

TABLE LENGTH	L	MODEL #	HOOKS	WEIGHT (LBS)
36"	31-1/4"	PRB01A	9	20
48"	43-1/4"	PRB01	12	27
60"	55-1/4"	PRB02	15	33
72"	67-1/4"	PRB03	18	40
84"	79-1/4"	PRB03A *	21	46
96"	91-1/4"	PRB04 *	24	53
108"	103-1/4"	PRB04A *	27	60
120"	115-1/4"	PRB05 *	30	67
132"	127-1/4"	PRB06 *	33	73
144"	139-1/4"	PRB07 *	36	80

* Furnished w/ 3 legs

SOME UNITS SHIP UNASSEMBLED FOR REDUCED SHIPPING COST. ALL DIMENSIONS ARE TYPICAL. TOLERANCE +/- .500"

John Boos & Co. is constantly engaged in a program of improving products and therefore reserves the right to change specifications without prior notice.



3601 S. Banker St. • Effingham, IL 62401 • PO BOX 609 • quotes@johnboos.com

040419

Boos
lock

AQ AutoQuotes

www.johnboos.com

511