



**John
BOOS**
Since 1887

ITEM #: _____ QTY: _____

MODEL #: _____

PROJECT NAME: _____

102920

3601 S. Banker St. Effingham, IL 62401 • P.O. BOX 609 • Ph: (888) 431-2667 • Fax: (800) 433-2667

"PB-DISINK" PRO-BOWL DROP-IN HAND SINK



1 BOWL

FEATURES:

- ONE PIECE DEEP DRAWN BOWL
- ALL SINK BOWLS HAVE LARGE LIBERAL RADII CORNERS
- INCLUDES BASKET DRAIN
- DECK MOUNT FAUCET HOLES - 4" ON-CENTER

MATERIAL:

- BOWL: TYPE 300 STAINLESS STEEL POLISH, SATIN FINISH
- BRACKET: TYPE 300 STAINLESS STEEL POLISH, SATIN FINISH

CONSTRUCTION:

- BOWL: STAINLESS STEEL TOPS ARE TIG WELDED, EXPOSED WELDS ARE POLISHED TO MATCH ADJACENT SURFACE.



PB-DISINK090905



PB-DISINK151506

PRO-BOWL DROP-IN HAND SINKS

MODEL #	QTY
PB-DISINK090905	
PB-DISINK090905-SSLR	
PB-DISINK151506	

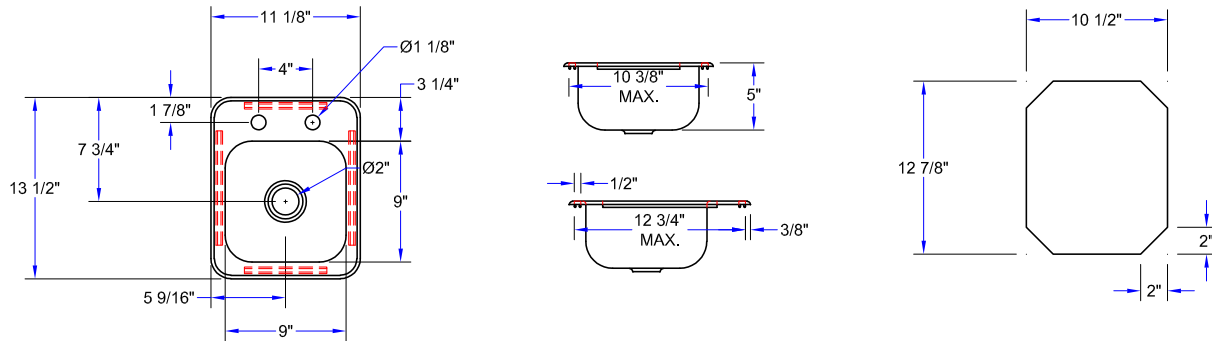
****CALL FACTORY FOR CUT OUT SIZES.****

OPTIONAL ACCESSORIES

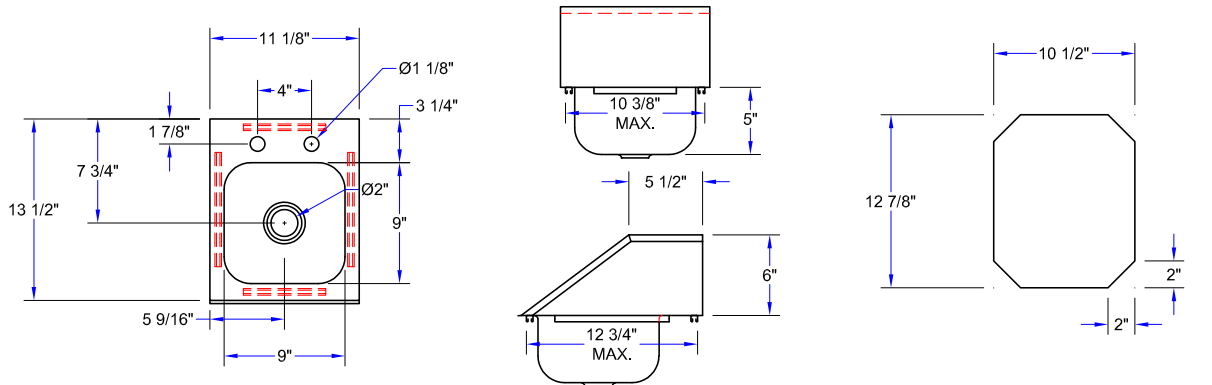
DESCRIPTION	QTY
FAUCETS	
SIDE SPASH	
ADA WRIST BLADES	
TOWEL DISPENSER	
LEVER WASTES	
OVER FLOWS	
P-TRAPS	

DETAILED SPECIFICATIONS

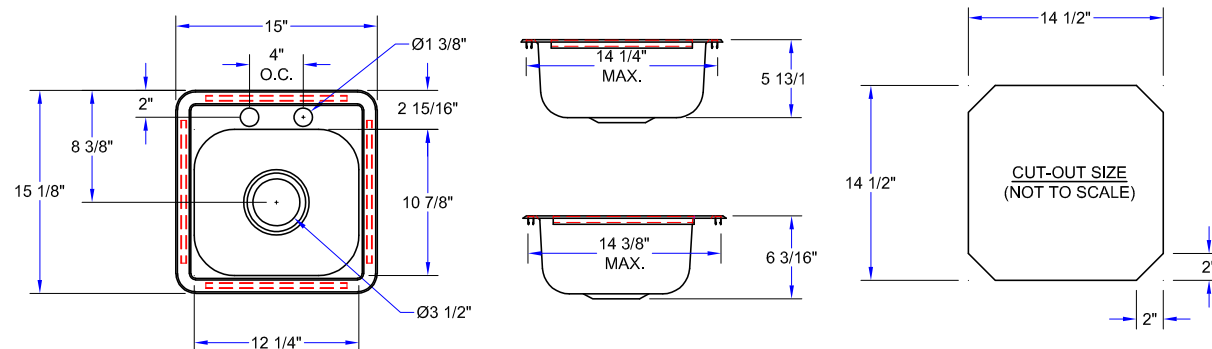
PB-DISINK090905



PB-DISINK090905-SSLR



PB-DISINK151506



PRO-BOWL DROP-IN HAND SINKS

MODEL #	BOWL SIZE (LxWxD)	SINK SIZE (LxWxD)	CERTIFICATION	SIDE SPLASH
PB-DISINK090905	9" X 9" X 5"	12" X 14" X 5"	NSF COMPONENT	N/A
PB-DISINK090905-SSLR	9" X 9" X 5"	12" X 14" X 5"	NSF COMPONENT	LH & RH
PB-DISINK151506	12-1/2" X 10-1/2" X 6"	15" X 15" X 6"	NSF COMPONENT	N/A

** SUGGESTED CUTOUT. VERIFY WITH PHYSICAL SINK DIMENSIONS FOR CUTOUT SIZE.

** WEIGHTS ARE SUBJECT TO ADDITIONAL PACKAGING

SOME UNITS SHIP UNASSEMBLED FOR REDUCED SHIPPING COST. ALL DIMENSIONS ARE TYPICAL. TOLERANCE +/- .500"

John Boos & Co. is constantly engaged in a program of improving products and therefore reserves the right to change specifications without prior notice.



Boos
lock

AQ AutoQuotes

3601 S. Banker St. • Effingham, IL 62401 • PO BOX 609 • quotes@johnboos.com

www.johnboos.com

102920

787