

ITEM #: _____	QTY: _____
MODEL #: _____	
PROJECT NAME: _____	

090319

3601 S. Banker St. Effingham, IL 62401 • P.O. BOX 609 • Ph: (888) 431-2667 • Fax: (800) 433-2667

## "PB" DIPPER WELL & FAUCET

### DIPPER WELL FEATURES:

- 18GA 300 SERIES STAINLESS STEEL
- INCLUDES (1) BOWL - 5-1/2"W X 5-1/2"H, (1) BASKET - 5"W X 4-1/2"H
- INCLUDES BASKET DRAIN
- CUTOUT: 5.75" DIAMETER

### DIPPER WELL FAUCET FEATURES:

- HIGH POLISHED TRIPLE DIPPED CHROME FINISH
- DECK MOUNT
- LEAD FREE COMPLIANT



PB-DWBA



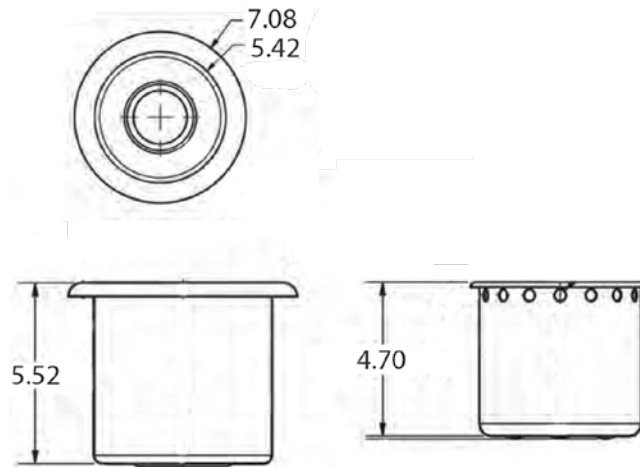
PBF-DWF-G

### **DIPPER WELL & FAUCET**

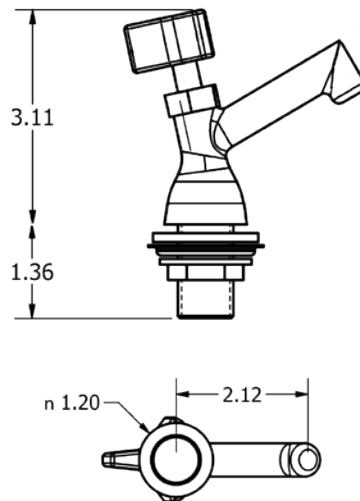
MODEL #	QTY
PB-DWBA	
PBF-DWF-G	

## DETAILED SPECIFICATIONS

### PB-DWBA



### PBF-DWF-G



### DIPPER WELL & FAUCET

MODEL #	WT. (LBS)
PB-DWBA	0.625
PBF-DWF-G	0.438

SOME UNITS SHIP UNASSEMBLED FOR REDUCED SHIPPING COST. ALL DIMENSIONS ARE TYPICAL. TOLERANCE +/- .500"  
 John Boos & Co. is constantly engaged in a program of improving products and therefore reserves the right to change specifications without prior notice.

