



ITEM #: _____ QTY: _____
 MODEL #: _____
 PROJECT NAME: _____

112017

3601 S. Banker St. Effingham, IL 62401 • P.O. BOX 609 • Ph: (888) 431-2667 • Fax: (800) 433-2667

"OSE16F" SINGLE OVERSHELVES - ECONOMY SERIES

16GA W/ FLAT TOP



FEATURES:

- STAINLESS STEEL SHELF WITH STALLION SAFETY EDGE ON FRONT AND REAR
- 16 GAUGE, TYPE 300 STAINLESS STEEL WITH #4 POLISH, SATIN FINISH
- UPRIGHTS ARE 1" O.D. ROUND 18 GAUGE TUBING, TYPE 300 STAINLESS STEEL WITH #4 POLISH, SATIN FINISH
- REAR OR CENTER MOUNT (PLEASE SPECIFY)
- SINGLE OVERSHELVES ARE MOUNTED 18" ABOVE TABLE TOP
- OVERSHELVES FEATURE KNOCKDOWN SETUP
- ALL MODELS ARE APPROVED BY THE NATIONAL SANITATION FOUNDATION



CONSTRUCTION:

- STAINLESS STEEL OVERSHELVES ARE TIG WELDED
- EXPOSED WELDS ARE POLISHED TO MATCH ADJACENT SURFACES

MATERIAL:

- SHELF: 16 GAUGE, TYPE 300 STAINLESS STEEL, #4 POLISH, SATIN FINISH
- UPRIGHTS: 1" ROUND O.D., 18 GAUGE TYPE 300 TUBULAR STAINLESS STEEL #4 POLISH, SATIN FINISH

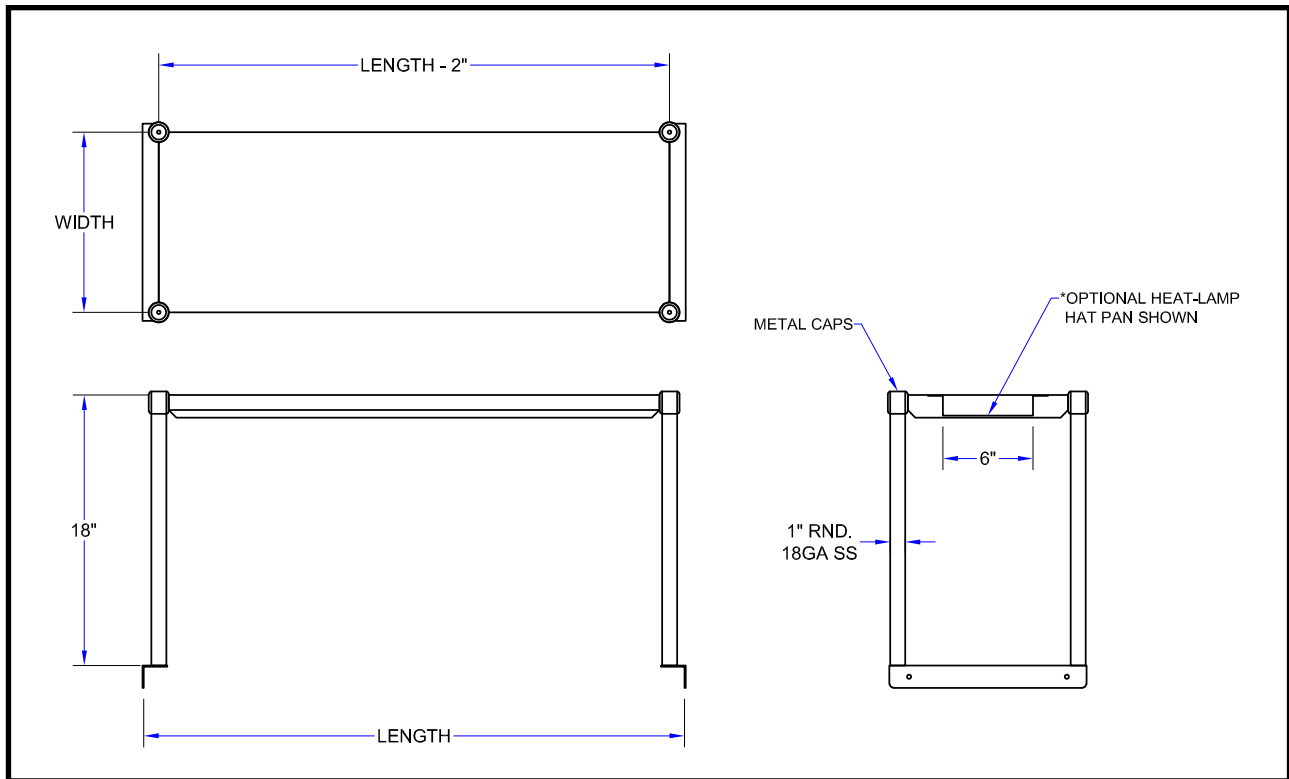
ACCESSORIES:

- HEAT LAMP PROVISION: OSEHLP-6XX
 6=WIDTH OF PROVISION, XX=NOMINAL LENGTH OF SHELF

SINGLE OVERSHELVES - ECONOMY SERIES

12" WIDTH	QTY	18" WIDTH	QTY
OSE16FK-1236		OSE16FK-1836	
OSE16FK-1248		OSE16FK-1848	
OSE16FK-1260		OSE16FK-1860	
OSE16FK-1272		OSE16FK-1872	
OSE16FK-1284		OSE16FK-1884	
OSE16FK-1296		OSE16FK-1896	
OSE16FK-12108		OSE16FK-18108	
OSE16FK-12120		OSE16FK-18120	
OSE16FK-12132		OSE16FK-18132	
OSE16FK-12144		OSE16FK-18144	

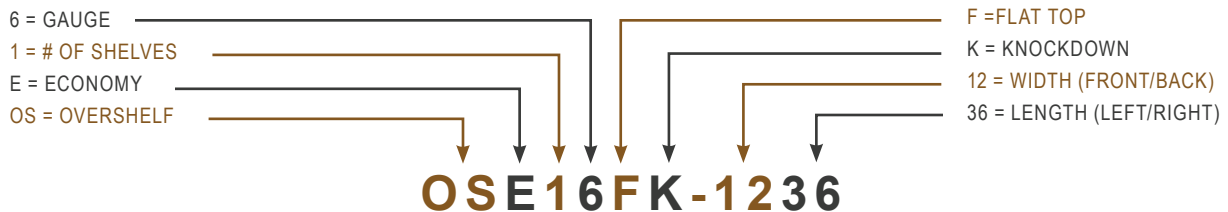
DETAILED SPECIFICATIONS



SINGLE OVERSHELVES - ECONOMY SERIES

LENGTH	12" WIDTH	WEIGHT (LBS)	18" WIDTH	WEIGHT (LBS)
36"	OSE16FK-1236	14	OSE16FK-1836	18
48"	OSE16FK-1248	16	OSE16FK-1848	22
60"	OSE16FK-1260	19	OSE16FK-1860	26
72"	OSE16FK-1272	22	OSE16FK-1872	31
84"	OSE16FK-1284	25	OSE16FK-1884	35
96"	OSE16FK-1296	28	OSE16FK-1896	40
108"	OSE16FK-12108	31	OSE16FK-18108	44
120"	OSE16FK-12120	36	OSE16FK-18120	49
132"	OSE16FK-12132	40	OSE16FK-18132	53
144"	OSE16FK-12144	45	OSE16FK-18144	57

MODEL # STRUCTURE



SOME UNITS SHIP UNASSEMBLED FOR REDUCED SHIPPING COST. ALL DIMENSIONS ARE TYPICAL. TOLERANCE +/- .500"

John Boos & Co. is constantly engaged in a program of improving products and therefore reserves the right to change specifications without prior notice.



3601 S. Banker St. • Effingham, IL 62401 • PO BOX 609 • quotes@johnboos.com

070219



www.johnboos.com

781