



**John
BOOS**
Since 1887

ITEM #: _____ QTY: _____
 MODEL #: _____
 PROJECT NAME: _____

010719

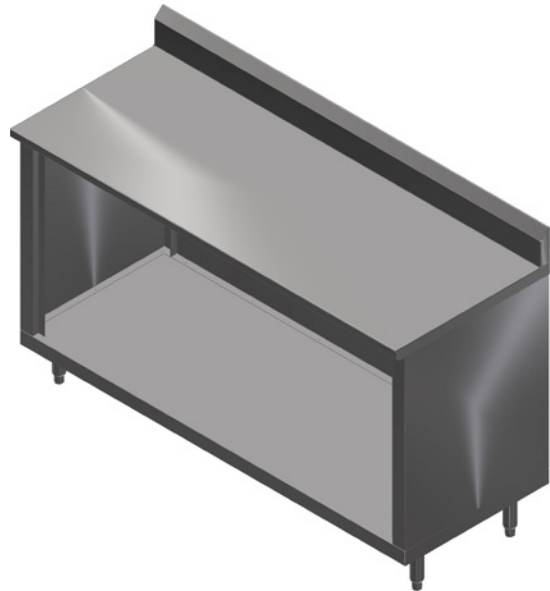
3601 S. Banker St. Effingham, IL 62401 • P.O. BOX 609 • Ph: (888) 431-2667 • Fax: (800) 433-2667

"4CO4R5" MODULAR BASE WORK TABLES - 14GA TOP

OPEN BASE STYLE - 5" BACKSPLASH

FEATURES:

- ENCLOSED BASE WORK TABLES - **OPEN BASE STYLE**
- **5" BACKSPLASH TOP** WITH 1-1/2" STALLION EDGE ON FRONT AND 90 DEGREE BEND DOWN SIDE EDGE FOR TABLE LINE-UP
- TOP IS SOUND DEADENED REINFORCED WITH 2"X3" CHANNEL RUNNING ENTIRE LENGTH OF TOP
- STAINLESS STEEL LEG WITH ADJUSTABLE FEET
- FIXED OR ADJUSTABLE INTERMEDIATE SHELF AVAILABLE
- 36" WORKING HEIGHT
- SHIPPED STANDARD WELDED SET-UP



CONSTRUCTION:

- TOP: STAINLESS STEEL CABINET TOPS TIG WELDED, EXPOSED WELDS ARE POLISHED TO MATCH ADJACENT SURFACE #4 POLISHED, SATIN FINISH
- REMOVABLE STAINLESS STEEL LEGS

MATERIAL:

- TOP: 14GA TYPE 300 STAINLESS STEEL WITH #4 POLISH, SATIN FINISH
- BODY: 18GA TYPE 430 STAINLESS STEEL
- LEGS: STAINLESS STEEL WITH ADJUSTABLE FEET



STALLION EDGE

INTERMEDIATE SHELF IS AVAILABLE IN FIXED OR ADJUSTABLE

- FIXED MID SHELF ADD: "-1S"
- ADJ MID SHELF ADD: "-1AS"

24" WIDE

MODEL	QTY
4CO4R5-2436	
4CO4R5-2448	
4CO4R5-2460	
4CO4R5-2472	
4CO4R5-2484	
4CO4R5-2496	
4CO4R5-24108	
4CO4R5-24120	
4CO4R5-24132	
4CO4R5-24144	

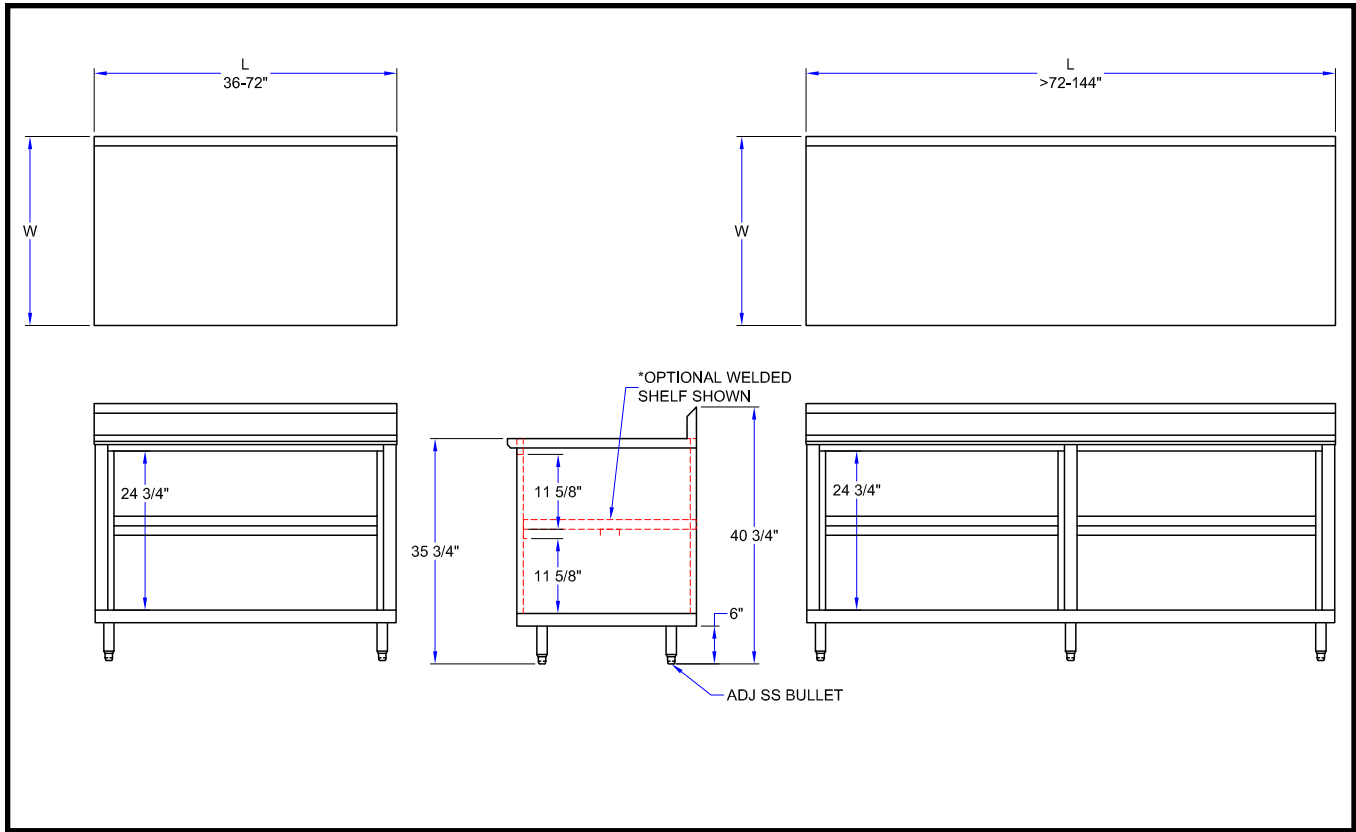
30" WIDE

MODEL	QTY
4CO4R5-3036	
4CO4R5-3048	
4CO4R5-3060	
4CO4R5-3072	
4CO4R5-3084	
4CO4R5-3096	
4CO4R5-30108	
4CO4R5-30120	
4CO4R5-30132	
4CO4R5-30144	

36" WIDE

MODEL	QTY
4CO4R5-3636	
4CO4R5-3648	
4CO4R5-3660	
4CO4R5-3672	
4CO4R5-3684	
4CO4R5-3696	
4CO4R5-36108	
4CO4R5-36120	
4CO4R5-36132	
4CO4R5-36144	

DETAILED SPECIFICATIONS



24" WIDE

30" WIDE

36" WIDE

LENGTH	MODEL	WT. (LBS)
36"	4CO4R5-2436	210
48"	4CO4R5-2448	250
60"	4CO4R5-2460	290
72"	4CO4R5-2472	335
84"	4CO4R5-2484	375
96"	4CO4R5-2496	425
108"	4CO4R5-24108	465
120"	4CO4R5-24120	500
132"	4CO4R5-24132	535
144"	4CO4R5-24144	570

LENGTH	MODEL	WT. (LBS)
36"	4CO4R5-3036	235
48"	4CO4R5-3048	270
60"	4CO4R5-3060	310
72"	4CO4R5-3072	350
84"	4CO4R5-3084	390
96"	4CO4R5-3096	435
108"	4CO4R5-30108	475
120"	4CO4R5-30120	525
132"	4CO4R5-30132	568
144"	4CO4R5-30144	610

LENGTH	MODEL	WT. (LBS)
36"	4CO4R5-3636	260
48"	4CO4R5-3648	300
60"	4CO4R5-3660	340
72"	4CO4R5-3672	385
84"	4CO4R5-3684	425
96"	4CO4R5-3696	470
108"	4CO4R5-36108	510
120"	4CO4R5-36120	550
132"	4CO4R5-36132	593
144"	4CO4R5-36144	635

MODEL # STRUCTURE

- R = RISER
- 4 = 14 GAUGE
- CO = S.S. CABINET OPEN FRONT
- 4 = 430 STAINLESS STEEL WRAP
- 5 = 5" HIGH X 1-1/2" DEEP W/TURN DOWN
- 24 = WIDTH - FRONT TO BACK
- 36 = LENGTH - LEFT TO RIGHT

4CO4R5-2436

SOME UNITS SHIP UNASSEMBLED FOR REDUCED SHIPPING COST. ALL DIMENSIONS ARE TYPICAL. TOLERANCE +/- .500"

John Boos & Co. is constantly engaged in a program of improving products and therefore reserves the right to change specifications without prior notice.



3601 S. Banker St. • Effingham, IL 62401 • PO BOX 609 • quotes@johnboos.com

070919



www.johnboos.com

711