



**John
BOOS**
Since 1887

ITEM #: _____ QTY: _____
MODEL #: _____
PROJECT NAME: _____

123019

3601 S. Banker St. Effingham, IL 62401 • P.O. BOX 609 • Ph: (888) 431-2667 • Fax: (800) 433-2667

"1PB-2D" PRO-BOWL COMPARTMENT SINKS 16GA

1 COMPARTMENT WITH 2 DRAIN BOARDS - STAINLESS STEEL BASE



FEATURES:

- STANDARD 16GA TYPE 300 STAINLESS STEEL WITH #4 POLISH, SATIN FINISH
- 12" & 14" DEEP BOWLS
- ALL CORNERS, BOTH VERTICAL AND HORIZONTAL, COVED AT 5/8" RADIUS
- BOTTOMS OF BOWLS FORMED FOR DRAINAGE TO 3-1/2" DIAMETER DIE STAMPED OPENING
- FULL LENGTH 10" HIGH BOXED BACKSPLASH, WITH 2" RETURN TO WALL AT 45 DEGREE AND 3/4" TURNED DOWN REAR LIP
- 8" ON-CENTER, 1" FAUCET HOLES IN BACKSPLASH
- SOLID STAINLESS STEEL FRONT PANEL, TYPE 300 STAINLESS STEEL WITH #4 POLISH, SATIN FINISH
- ALL OUTSIDE CORNERS OF ASSEMBLY ARE BULLNOSED TO PROVIDE SAFE, CLEAN, AND POLISHED EDGE

CONSTRUCTION:

- TOP: STAINLESS STEEL SINKS ARE TIG WELDED, EXPOSED WELDS ARE POLISHED TO MATCH ADJACENT SURFACE
- BASE: STAINLESS STEEL BASES, STANDARD K.D.

MATERIAL:

- BOWLS & TOP: 16GA TYPE 300 STAINLESS STEEL WITH #4 POLISH, SATIN FINISH
- LEGS: 1-5/8" ROUND O.D. STAINLESS STEEL
- BRACING: 1-1/4" ROUND O.D. STAINLESS STEEL
- GUSSETS: STAINLESS STEEL
- FEET: 1" ADJUSTABLE STAINLESS STEEL BULLET FEET

16GA - "1PB-2D" PRO-BOWL SERIES SINK

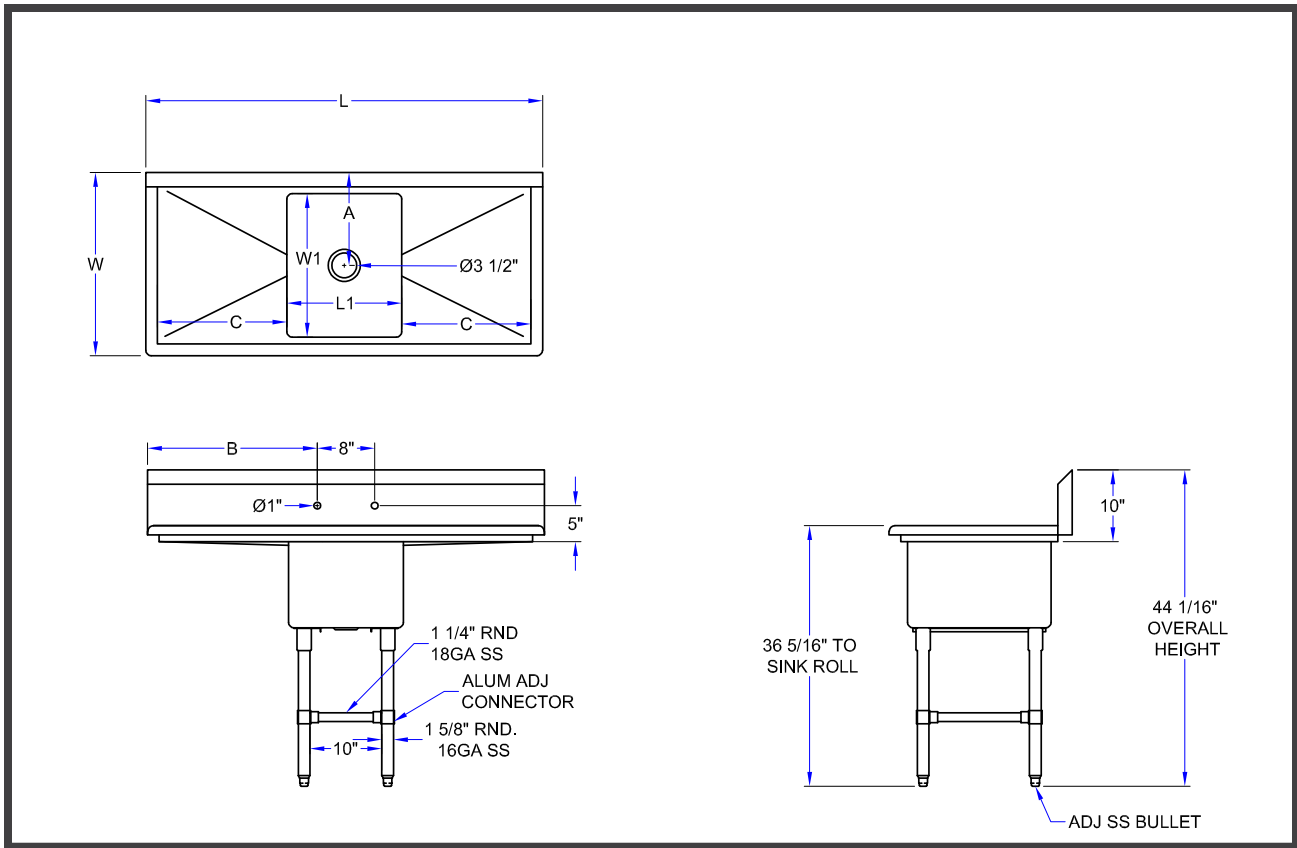
| 12" DEEP | QTY | 14" DEEP | QTY |
|--------------|-----|---------------|-----|
| 1PB1618-2D18 | | 1PB16184-2D18 | |
| 1PB1618-2D24 | | 1PB16184-2D24 | |
| 1PB1620-2D18 | | 1PB16204-2D18 | |
| 1PB1620-2D24 | | 1PB16204-2D24 | |
| 1PB18-2D18 | | 1PB184-2D18 | |
| 1PB18-2D24 | | 1PB184-2D24 | |
| 1PB18-2D30 | | 1PB184-2D30 | |
| 1PB1824-2D18 | | 1PB18244-2D18 | |
| 1PB1824-2D24 | | 1PB18244-2D24 | |
| 1PB1824-2D30 | | 1PB18244-2D30 | |
| 1PB20-2D18 | | 1PB204-2D18 | |
| 1PB20-2D24 | | 1PB204-2D24 | |
| 1PB-2D30 | | 1PB204-2D30 | |
| 1PB24-2D24 | | 1PB244-2D24 | |
| 1PB24-2D30 | | 1PB244-2D30 | |
| 1PB3024-2D30 | | 1PB30244-2D30 | |
| 1PB3024-2D36 | | 1PB30244-2D36 | |



OPTIONAL ACCESSORIES

| DESCRIPTION | QTY |
|-----------------------------|-----|
| END SPLASHES, R, L, OR BOTH | |
| FAUCETS | |
| ADD-A-FAUCETS | |
| PRE-RINSE UNITS | |
| LEVEL WASTE | |
| OVERSHELVES | |
| POT RACK | |

DETAILED SPECIFICATIONS



16GA - "1PB-2D" PRO-BOWL SERIES SINK

| 12" DEEP | 14" DEEP | L | W | L1 | W1 | A | B | C |
|--------------|---------------|----------|---------|-----|-----|-----------|---------|-----|
| 1PB1618-2D18 | 1PB16184-2D18 | 55-1/4" | 23-1/2" | 16" | 18" | 11-15/16" | 23-5/8" | 18" |
| 1PB1618-2D24 | 1PB16184-2D24 | 67-1/4" | 23-1/2" | 16" | 18" | 11-15/16" | 29-5/8" | 24" |
| 1PB1620-2D18 | 1PB16204-2D18 | 55-1/4" | 25-1/2" | 16" | 20" | 12-15/16" | 23-5/8" | 18" |
| 1PB1620-2D24 | 1PB16204-2D24 | 67-1/4" | 25-1/2" | 16" | 20" | 12-15/16" | 29-5/8" | 24" |
| 1PB18-2D18 | 1PB184-2D18 | 57-1/4" | 23-1/2" | 18" | 18" | 11-15/16" | 24-5/8" | 18" |
| 1PB18-2D24 | 1PB184-2D24 | 69-1/4" | 23-1/2" | 18" | 18" | 11-15/16" | 30-5/8" | 24" |
| 1PB18-2D30 | 1PB184-2D30 | 81-1/4" | 23-1/2" | 18" | 18" | 11-15/16" | 36-5/8" | 30" |
| 1PB1824-2D18 | 1PB18244-2D18 | 57-1/4" | 29-1/2" | 18" | 24" | 14-15/16" | 24-5/8" | 18" |
| 1PB1824-2D24 | 1PB18244-2D24 | 69-1/4" | 29-1/2" | 18" | 24" | 14-15/16" | 30-5/8" | 24" |
| 1PB1824-2D30 | 1PB18244-2D30 | 81-1/4" | 29-1/2" | 18" | 24" | 14-15/16" | 36-5/8" | 30" |
| 1PB20-2D18 | 1PB204-2D18 | 59-1/4" | 25-1/2" | 20" | 20" | 12-15/16" | 25-5/8" | 18" |
| 1PB20-2D24 | 1PB204-2D24 | 71-1/4" | 25-1/2" | 20" | 20" | 12-15/16" | 31-5/8" | 24" |
| 1PB20-2D30 | 1PB204-2D30 | 83-1/4" | 25-1/2" | 20" | 20" | 12-15/16" | 37-5/8" | 30" |
| 1PB24-2D24 | 1PB244-2D24 | 75-1/4" | 29-1/2" | 24" | 24" | 14-15/16" | 33-5/8" | 24" |
| 1PB24-2D30 | 1PB244-2D30 | 87-1/4" | 29-1/2" | 24" | 24" | 14-15/16" | 39-5/8" | 30" |
| 1PB3024-2D30 | 1PB30244-2D30 | 93-1/4" | 29-1/2" | 30" | 24" | 14-15/16" | 42-5/8" | 30" |
| 1PB3024-2D36 | 1PB30244-2D36 | 105-1/4" | 29-1/2" | 30" | 24" | 14-15/16" | 48-5/8" | 36" |

SOME UNITS SHIP UNASSEMBLED FOR REDUCED SHIPPING COST. ALL DIMENSIONS ARE TYPICAL. TOLERANCE +/- .500"

John Boos & Co. is constantly engaged in a program of improving products and therefore reserves the right to change specifications without prior notice.



3601 S. Banker St. • Effingham, IL 62401 • PO BOX 609 • quotes@johnboos.com

123019



www.johnboos.com

664