



**John  
BOOS**  
Since 1887

ITEM #: \_\_\_\_\_ QTY: \_\_\_\_\_

MODEL #: \_\_\_\_\_

PROJECT NAME: \_\_\_\_\_

07302018

3601 S. Banker St. Effingham, IL 62401 • P.O. BOX 609 • Ph: (888) 431-2667 • Fax: (800) 433-2667

## **"PB-SS" MOBILE SOAK SINK**

### **FEATURES:**

- STANDARD 16 GAUGE STAINLESS STEEL CONSTRUCTION
- TYPE 300 STAINLESS STEEL W/ #4 POLISH, SATIN FINISH
- ALL CORNERS, BOTH VERTICAL AND HORIZONTAL, COVERED AT 5/8" RADIUS
- BOTTOMS OF BOWLS FORMED FOR DRAINAGE TO 3-1/2"
- DIAMETER DIE STAMPED OPENING
- TOP IS FINISHED W/ A 1-1/2" X 1" **NO-DRIP EDGE** W/ A 2"
- TURN DOWN ON ALL SIDES
- STANDARD LEGS 1-5/8" DIAMETER, 16GA STAINLESS STEEL, TYPE 300 STAINLESS STEEL W/ #4 POLISH, SATIN FINISH
- TWIST LEVER WASTE FOR EASY CLEAN IN REMOTE OPERATIONS
- OPTIONAL REMOVABLE CHUTE: SILVER - 16GA STAINLESS STEEL (PB-SS-CHUTE)

### **CONSTRUCTION:**

- TOP: STAINLESS STEEL SINKS ARE TIG WELDED, EXPOSED WELDS ARE POLISHED TO MATCH ADJACENT SURFACE
- BASE: STAINLESS STEEL BASES ARE MIG WELDED

### **MATERIAL:**

- BOWLS & TOP: 16GA TYPE 300 STAINLESS STEEL WITH #4 POLISH, SATIN FINISH
- LEGS: 1-5/8" ROUND O.D. STAINLESS STEEL
- BRACING: 1-1/4" ROUND O.D. STAINLESS STEEL
- GUSSETS: STAINLESS STEEL
- CASTER: 5" SWIVEL



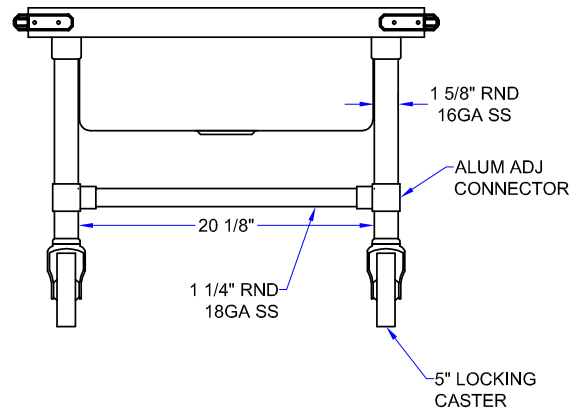
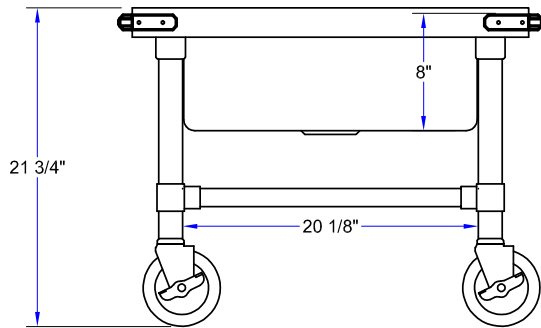
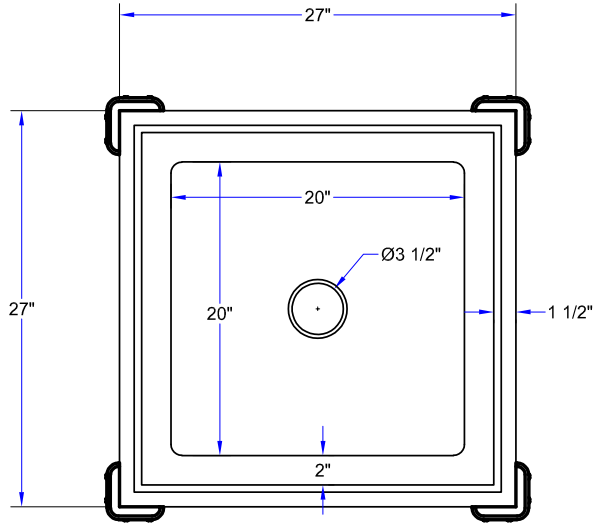
### **OPTIONAL ACCESSORIES**

DESCRIPTION	QTY
CHUTE	

### **MOBILE SOAK SINK**

MODEL	QTY
PB-SS-208	

## DETAILED SPECIFICATIONS



### MOBILE SOAK SINK

MODEL	BOWL SIZE	DIMENSIONS	WT. (LBS)
PB-SS-208	20" X 20" X 8"	27" X 27" X 21-3/4"	35

SOME UNITS SHIP UNASSEMBLED FOR REDUCED SHIPPING COST. ALL DIMENSIONS ARE TYPICAL. TOLERANCE +/- .500"  
 John Boos & Co. is constantly engaged in a program of improving products and therefore reserves the right to change specifications without prior notice.



Boos  
lock

AQ AutoQuotes

3601 S. Banker St. • Effingham, IL 62401 • PO BOX 609 • quotes@johnboos.com

[www.johnboos.com](http://www.johnboos.com)

07302018

603