



**John
BOOS**
Since 1887

ITEM #: _____ QTY: _____
MODEL #: _____
PROJECT NAME: _____

123019

3601 S. Banker St. Effingham, IL 62401 • P.O. BOX 609 • Ph: (888) 431-2667 • Fax: (800) 433-2667

"4PB-2D" PRO-BOWL COMPARTMENT SINKS 16GA

4 COMPARTMENT WITH 2 DRAIN BOARDS - STAINLESS STEEL BASE



FEATURES:

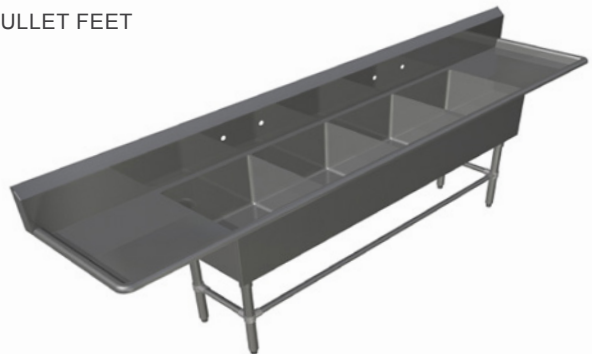
- STANDARD 16GA TYPE 300 STAINLESS STEEL WITH #4 POLISH, SATIN FINISH
- 12" & 14" DEEP BOWLS
- ALL CORNERS, BOTH VERTICAL AND HORIZONTAL, COVED AT 5/8" RADIUS
- BOTTOMS OF BOWLS FORMED FOR DRAINAGE TO 3-1/2" DIAMETER DIE STAMPED OPENING
- FULL LENGTH **10" HIGH BOXED BACKSPLASH**, WITH 2" RETURN TO WALL AT 45 DEGREE AND 3/4" TURNED DOWN REAR LIP
- 2 SETS OF FAUCET HOLES 8" ON-CENTER
- 1" FAUCET HOLES IN BACKSPLASH
- SOLID STAINLESS STEEL FRONT PANEL, TYPE 300 STAINLESS STEEL WITH #4 POLISH, SATIN FINISH
- ALL OUTSIDE CORNERS OF ASSEMBLY ARE BULLNOSED TO PROVIDE SAFE, CLEAN, AND POLISHED EDGE

CONSTRUCTION:

- TOP: STAINLESS STEEL SINKS ARE TIG WELDED, EXPOSED WELDS ARE POLISHED TO MATCH ADJACENT SURFACE
- BASE: STAINLESS STEEL BASES, STANDARD K.D.

MATERIAL:

- BOWLS & TOP: 16GA TYPE 300 STAINLESS STEEL WITH #4 POLISH, SATIN FINISH
- LEGS: 1-5/8" ROUND O.D. STAINLESS STEEL
- BRACING: 1-1/4" ROUND O.D. STAINLESS STEEL
- GUSSETS: STAINLESS STEEL
- FEET: 1" ADJUSTABLE STAINLESS STEEL BULLET FEET



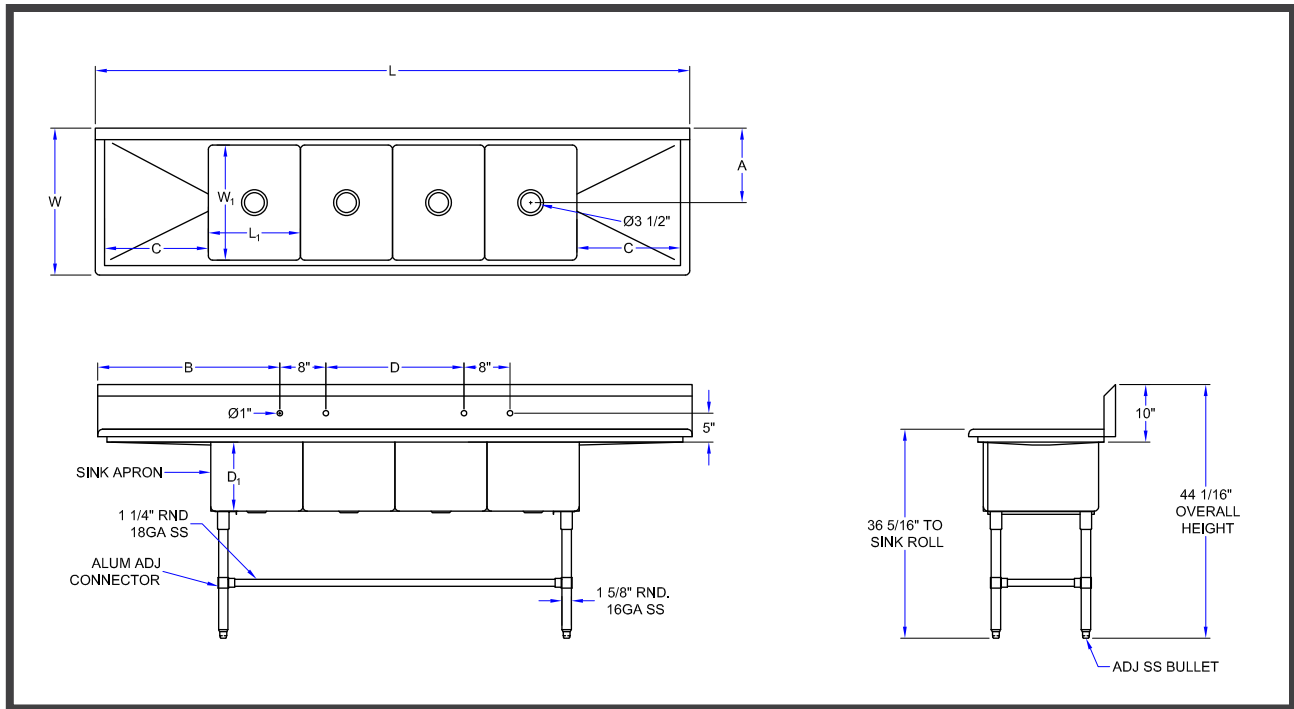
16GA - "4PB-2D" COMPARTMENT SINK

12" DEEP	QTY	14" DEEP	QTY
4PB1618-2D18		4PB16184-2D18	
4PB1618-2D24		4PB16184-2D24	
4PB1620-2D18		4PB16204-2D18	
4PB1620-2D24		4PB16204-2D24	
4PB18-2D18		4PB184-2D18	
4PB18-2D24		4PB184-2D24	
4PB18-2D30		4PB184-2D30	
4PB1824-2D18		4PB18244-2D18	
4PB1824-2D24		4PB18244-2D24	
4PB1824-2D30		4PB18244-2D30	
4PB20-2D18		4PB204-2D18	
4PB20-2D24		4PB204-2D24	
4PB20-2D30		4PB204-2D30	
4PB24-2D24		4PB244-2D24	
4PB24-2D30		4PB244-2D30	
4PB3024-2D30		4PB30244-2D30	
4PB3024-2D36		4PB30244-2D36	

OPTIONAL ACCESSORIES

DESCRIPTION	QTY
END SPLASHES, R, L, OR BOTH	
FAUCETS	
ADD-A-FAUCETS	
PRE-RINSE UNITS	
LEVEL WASTE	
OVERSHELVES	
POT RACK	

DETAILED SPECIFICATIONS



16GA - "4PB-2D" PRO-BOWL SERIES SINK

12" DEEP	14" DEEP	L	W	L ₁	W ₁	A	B	C	D
4PB1618-2D18	4PB16184-2D18	103-1/4"	23-1/2"	16"	18"	11-15/16"	31-5/8"	18"	24"
4PB1618-2D24	4PB16184-2D24	115-1/4"	23-1/2"	16"	18"	11-15/16"	37-5/8"	24"	24"
4PB1620-2D18	4PB16204-2D18	103-1/4"	25-1/2"	16"	20"	12-15/16"	31-5/8"	18"	24"
4PB1620-2D24	4PB16204-2D24	115-1/4"	25-1/2"	16"	20"	12-15/16"	37-5/8"	24"	24"
4PB18-2D18	4PB184-2D18	111-1/4"	23-1/2"	18"	18"	11-15/16"	33-5/8"	18"	28"
4PB18-2D24	4PB184-2D24	123-1/4"	23-1/2"	18"	18"	11-15/16"	39-5/8"	24"	28"
4PB18-2D30	4PB184-2D30	135-1/4"	23-1/2"	18"	18"	11-15/16"	45-5/8"	30"	28"
4PB1824-2D18	4PB18244-2D18	111-1/4"	29-1/2"	18"	24"	14-15/16"	33-5/8"	18"	28"
4PB1824-2D24	4PB18244-2D24	123-1/4"	29-1/2"	18"	24"	14-15/16"	39-5/8"	24"	28"
4PB1824-2D30	4PB18244-2D30	135-1/4"	29-1/2"	18"	24"	14-15/16"	45-5/8"	30"	28"
4PB20-2D18	4PB204-2D18	119-1/4"	25-1/2"	20"	20"	12-15/16"	35-5/8"	18"	32"
4PB20-2D24	4PB204-2D24	131-1/4"	25-1/2"	20"	20"	12-15/16"	41-5/8"	24"	32"
4PB20-2D30	4PB204-2D30	143-1/4"	25-1/2"	20"	20"	12-15/16"	47-5/8"	30"	32"
4PB24-2D24	4PB244-2D24	147-1/4"	29-1/2"	24"	24"	14-15/16"	45-5/8"	24"	40"
4PB24-2D30	4PB244-2D30	159-1/4"	29-1/2"	24"	24"	14-15/16"	51-5/8"	30"	40"
4PB3024-2D30	4PB30244-2D30	183-1/4"	29-1/2"	30"	24"	14-15/16"	57-5/8"	30"	52"
4PB3024-2D36	4PB30244-2D36	195-1/4"	29-1/2"	30"	24"	14-15/16"	63-5/8"	36"	52"

SOME UNITS SHIP UNASSEMBLED FOR REDUCED SHIPPING COST. ALL DIMENSIONS ARE TYPICAL. TOLERANCE +/- .500"

John Boos & Co. is constantly engaged in a program of improving products and therefore reserves the right to change specifications without prior notice.



3601 S. Banker St. • Effingham, IL 62401 • PO BOX 609 • quotes@johnboos.com

123019



www.johnboos.com

700