



**John
BOOS**
Since 1887

ITEM #: _____ QTY: _____
 MODEL #: _____
 PROJECT NAME: _____

123119

3601 S. Banker St. Effingham, IL 62401 • P.O. BOX 609 • Ph: (888) 431-2667 • Fax: (800) 433-2667

"44PB" PRO-BOWL COMPARTMENT SINKS 14GA



4 COMPARTMENT - STAINLESS STEEL BASE

FEATURES:

- STANDARD 14GA TYPE 300 STAINLESS STEEL WITH #4 POLISH, SATIN FINISH
- 12" & 14" DEEP BOWLS
- ALL CORNERS, BOTH VERTICAL AND HORIZONTAL, COVERED AT 5/8" RADIUS
- BOTTOMS OF BOWLS FORMED FOR DRAINAGE TO 3-1/2" DIAMETER DIE STAMPED OPENING
- FULL LENGTH **10" HIGH BOXED BACKSPLASH**, WITH 2" RETURN TO WALL AT 45 DEGREE AND 3/4" TURNED DOWN REAR LIP
- 2 SETS OF FAUCET HOLES 8" ON-CENTER
- 1" FAUCET HOLES IN BACKSPLASH
- SOLID STAINLESS STEEL FRONT PANEL, TYPE 300 STAINLESS STEEL WITH #4 POLISH, SATIN FINISH
- ALL OUTSIDE CORNERS OF ASSEMBLY ARE BULLNOSED TO PROVIDE SAFE, CLEAN, AND POLISHED EDGE

MATERIAL:

- BOWLS & TOP: 14GA TYPE 300 STAINLESS STEEL WITH #4 POLISH, SATIN FINISH
- LEGS: 1-5/8" ROUND O.D. STAINLESS STEEL
- BRACING: 1-1/4" ROUND O.D. STAINLESS STEEL
- GUSSETS: STAINLESS STEEL
- FEET: 1" ADJUSTABLE STAINLESS STEEL BULLET FEET



CONSTRUCTION:

- TOP: STAINLESS STEEL SINKS ARE TIG WELDED, EXPOSED WELDS ARE POLISHED TO MATCH ADJACENT SURFACE
- BASE: STAINLESS STEEL BASES, STANDARD K.D.

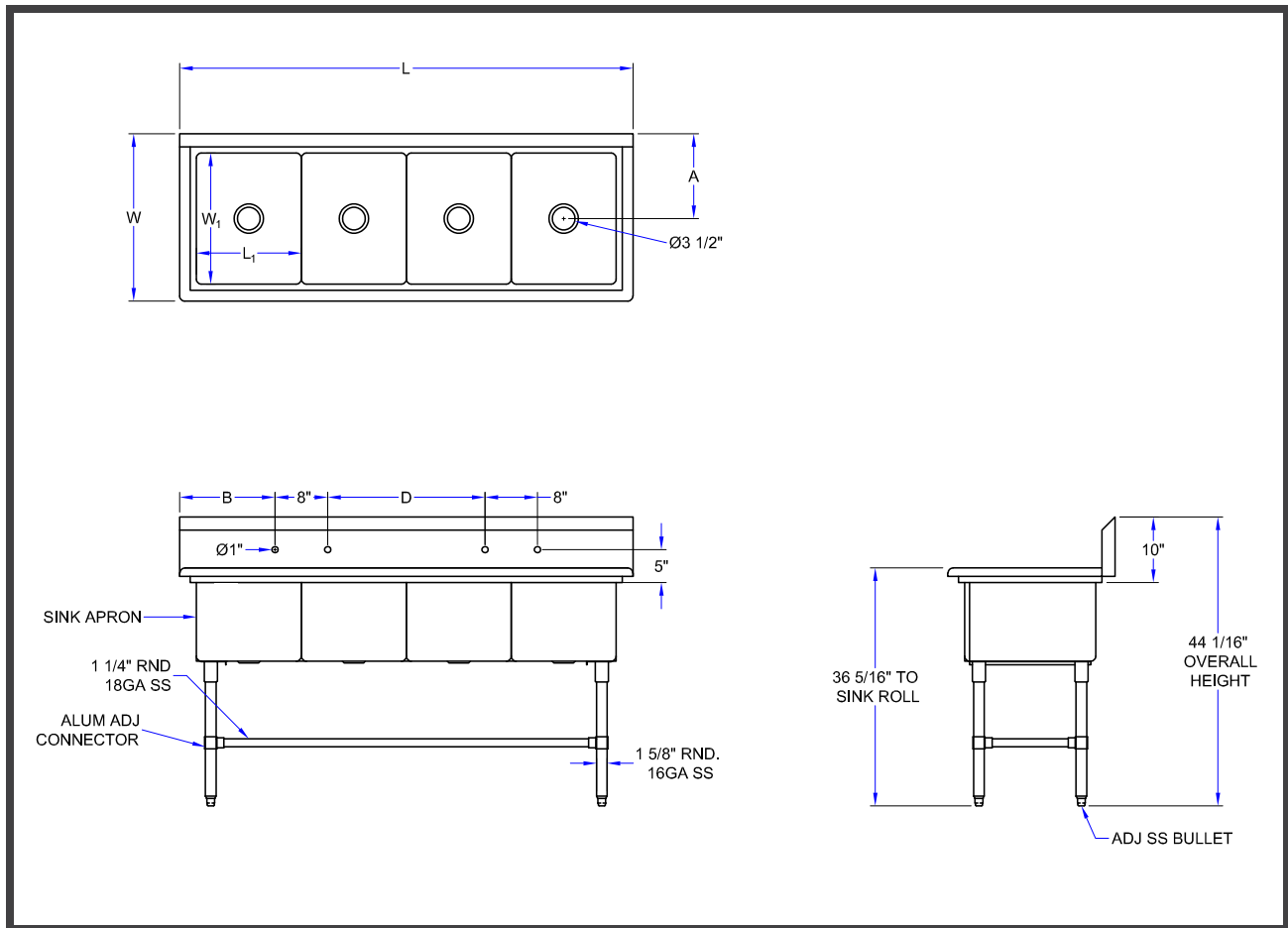
14GA - "44PB" PRO-BOWL COMPARTMENT SINKS

12" DEEP	QTY	14" DEEP	QTY
44PB1618		44PB16184	
44PB1620		44PB16204	
44PB18		44PB184	
44PB1824		44PB18244	
44PB20		44PB204	
44PB24		44PB244	
44PB3024		44PB30244	

OPTIONAL ACCESSORIES

DESCRIPTION	QTY
END SPLASHES, R, L, OR BOTH	
FAUCETS	
ADD-A-FAUCETS	
PRE-RINSE UNITS	
LEVEL WASTE	
OVERSHELVES	
POT RACK	

DETAILED SPECIFICATIONS



(12" DEEP) 14GA - "44PB" PRO-BOWL SERIES SINK

12" DEEP	14" DEEP	L	W	L1	W1	A	B	D
44PB1618	44PB164	69-1/8"	23-1/2"	16"	18"	11-15/16"	14-9/16"	24"
44PB1620	44PB16204	69-1/8"	25-1/2"	16"	20"	12-15/16"	14-9/16"	24"
44PB18	44PB184	77-1/8"	23-1/2"	18"	18"	11-15/16"	16-9/16"	28"
44PB1824	44PB18244	77-1/8"	29-1/2"	18"	24"	14-15/16"	16-9/16"	28"
44PB20	44PB204	85-1/8"	25-1/2"	20"	20"	12-15/16"	18-9/16"	32"
44PB24	44PB244	101-1/8"	29-1/2"	24"	24"	14-15/16"	22-9/16"	40"
44PB3024	44PB30244	125-1/8"	29-1/2"	30"	24"	14-15/16"	28-9/16"	52"

SOME UNITS SHIP UNASSEMBLED FOR REDUCED SHIPPING COST. ALL DIMENSIONS ARE TYPICAL. TOLERANCE +/- .500"

John Boos & Co. is constantly engaged in a program of improving products and therefore reserves the right to change specifications without prior notice.



3601 S. Banker St. • Effingham, IL 62401 • PO BOX 609 • quotes@johnboos.com

123119



www.johnboos.com

694