



**John
BOOS**
Since 1887

ITEM #: _____ QTY: _____
 MODEL #: _____
 PROJECT NAME: _____

123119

3601 S. Banker St. Effingham, IL 62401 • P.O. BOX 609 • Ph: (888) 431-2667 • Fax: (800) 433-2667

"43PB-2D" PRO-BOWL COMPARTMENT SINKS 14GA

3 COMPARTMENT WITH 2 DRAIN BOARD - STAINLESS STEEL BASE



FEATURES:

- STANDARD 14GA TYPE 300 STAINLESS STEEL WITH #4 POLISH, SATIN FINISH
- 12" & 14" DEEP BOWLS
- ALL CORNERS, BOTH VERTICAL AND HORIZONTAL, COVERED AT 5/8" RADIUS
- BOTTOMS OF BOWLS FORMED FOR DRAINAGE TO 3-1/2" DIAMETER DIE STAMPED OPENING
- FULL LENGTH **10" HIGH BOXED BACKSPASH**, WITH 2" RETURN TO WALL AT 45 DEGREE AND 3/4" TURNED DOWN REAR LIP
- 8" ON-CENTER, 1" FAUCET HOLES IN BACKSPASH
- 1" FAUCET HOLES IN BACKSPASH
- SOLID STAINLESS STEEL FRONT PANEL, TYPE 300 STAINLESS STEEL WITH #4 POLISH, SATIN FINISH
- ALL OUTSIDE CORNERS OF ASSEMBLY ARE BULLNOSED TO PROVIDE SAFE, CLEAN, AND POLISHED EDGE

CONSTRUCTION:

- TOP: STAINLESS STEEL SINKS ARE TIG WELDED, EXPOSED WELDS ARE POLISHED TO MATCH ADJACENT SURFACE
- BASE: STAINLESS STEEL BASES, STANDARD K.D.

MATERIAL:

- BOWLS & TOP: 14GA TYPE 300 STAINLESS STEEL WITH #4 POLISH, SATIN FINISH
- LEGS: 1-5/8" ROUND O.D. STAINLESS STEEL
- BRACING: 1-1/4" ROUND O.D. STAINLESS STEEL
- GUSSETS: STAINLESS STEEL
- FEET: 1" ADJUSTABLE STAINLESS STEEL BULLET FEET

14GA - "43PB-2D" PRO-BOWL SERIES SINK

12" DEEP	QTY	14" DEEP	QTY
43PB1618-2D18		43PB16184-2D18	
43PB1618-2D24		43PB16184-2D24	
43PB1620-2D18		43PB16204-2D18	
43PB1620-2D24		43PB16204-2D24	
43PB1620-2D30		43PB16204-2D30	
43PB18-2D18		43PB184-2D18	
43PB18-2D24		43PB184-2D24	
43PB18-2D30		43PB184-2D30	
43PB1824-2D18		43PB18244-2D18	
43PB1824-2D24		43PB18244-2D24	
43PB1824-2D30		43PB18244-2D30	
43PB20-2D18		43PB204-2D18	
43PB20-2D24		43PB204-2D24	
43PB20-2D30		43PB204-2D30	
43PB24-2D24 *		43PB244-2D24 *	
43PB24-2D30 *		43PB244-2D30 *	
43PB3024-2D30 *		43PB30244-2D30 *	
43PB3024-2D36 *		43PB30244-2D36 *	

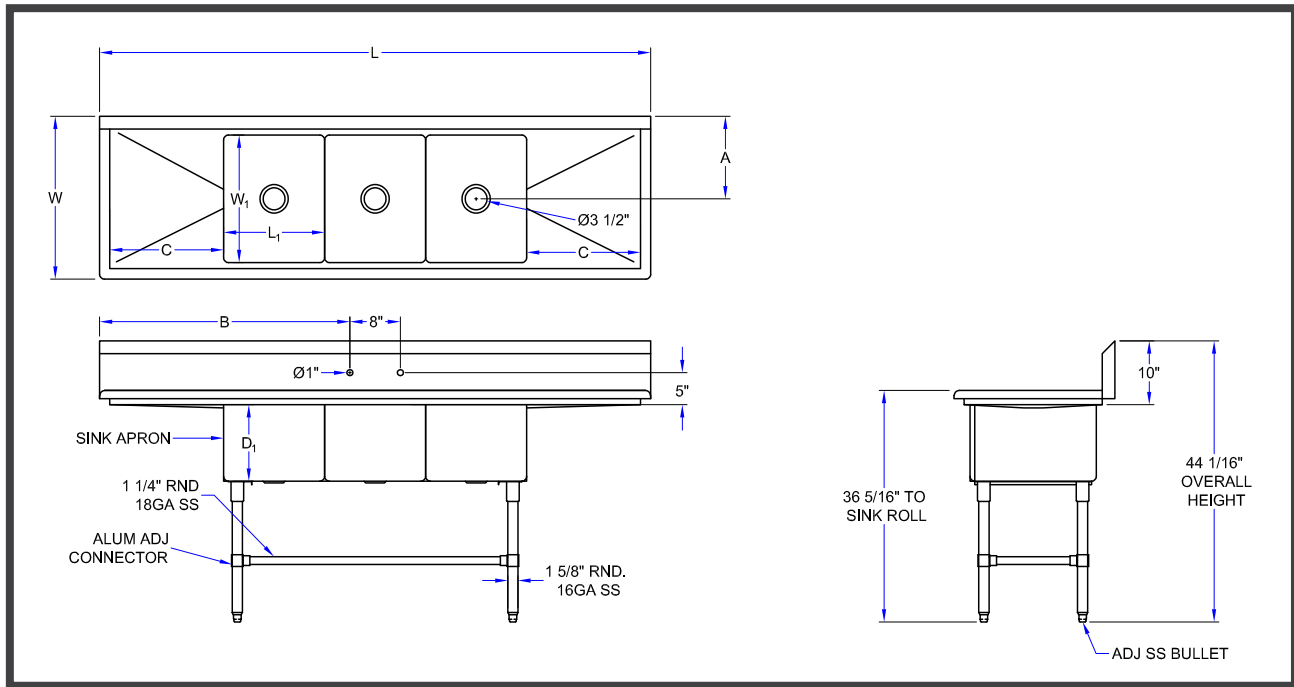


OPTIONAL ACCESSORIES

DESCRIPTION	QTY
END SPLASHES, R, L, OR BOTH	
FAUCETS	
ADD-A-FAUCETS	
PRE-RINSE UNITS	
LEVEL WASTE	
OVERSHELVES	
POT RACK	

* WITH TWO SETS OF FAUCET HOLES 8" O/C

DETAILED SPECIFICATIONS



14GA - "43PB-2D" PRO-BOWL SERIES SINK

12" DEEP	14" DEEP	L	W	L1	W1	A	B	C
43PB1618-2D18	43PB16184-2D18	87-1/4"	23-1/2"	16"	18"	11-15/16"	39-5/8"	18"
43PB1618-2D24	43PB16184-2D24	99-1/4"	23-1/2"	16"	18"	11-15/16"	45-5/8"	24"
43PB1620-2D18	43PB16204-2D18	87-1/4"	25-1/2"	16"	20"	12-15/16"	39-5/8"	18"
43PB1620-2D24	43PB16204-2D24	99-1/4"	25-1/2"	16"	20"	12-15/16"	45-5/8"	24"
43PB1620-2D30	43PB16204-2D30	111-1/4"	25-1/2"	16"	20"	12-15/16"	51-5/8"	30"
43PB18-2D18	43PB184-2D18	93-1/4"	23-1/2"	18"	18"	11-15/16"	42-5/8"	18"
43PB18-2D24	43PB184-2D24	105-1/4"	23-1/2"	18"	18"	11-15/16"	48-5/8"	24"
43PB18-2D30	43PB184-2D30	117-1/4"	23-1/2"	18"	18"	11-15/16"	54-5/8"	30"
43PB1824-2D18	43PB18244-2D18	93-1/4"	29-1/2"	18"	24"	14-15/16"	42-5/8"	18"
43PB1824-2D24	43PB18244-2D24	105-1/4"	29-1/2"	18"	24"	14-15/16"	48-5/8"	24"
43PB1824-2D30	43PB18244-2D30	117-1/4"	29-1/2"	18"	24"	14-15/16"	54-5/8"	30"
43PB20-2D18	43PB204-2D18	99-1/4"	25-1/2"	20"	20"	12-15/16"	45-5/8"	18"
43PB20-2D24	43PB204-2D24	111-1/4"	25-1/2"	20"	20"	12-15/16"	51-1/8"	24"
43PB20-2D30	43PB204-2D30	123-1/4"	25-1/2"	20"	20"	12-15/16"	57-1/8"	30"
43PB24-2D24	43PB244-2D24	123-1/4"	29-1/2"	24"	24"	14-15/16"	45-5/8"	24"
43PB24-2D30	43PB244-2D30	135-1/4"	29-1/2"	24"	24"	14-15/16"	51-5/8"	30"
43PB3024-2D30	43PB30244-2D30	153-1/4"	29-1/2"	30"	24"	14-15/16"	57-5/8"	30"
43PB3024-2D36	43PB30244-2D36	165-1/4"	29-1/2"	30"	24"	14-15/16"	63-5/8"	36"

SOME UNITS SHIP UNASSEMBLED FOR REDUCED SHIPPING COST. ALL DIMENSIONS ARE TYPICAL. TOLERANCE +/- .500"

John Boos & Co. is constantly engaged in a program of improving products and therefore reserves the right to change specifications without prior notice.



Boos
lock

AQ AutoQuotes

3601 S. Banker St. • Effingham, IL 62401 • PO BOX 609 • quotes@johnboos.com

www.johnboos.com

123119

690