



**John  
BOOS**  
Since 1887

ITEM #: \_\_\_\_\_ QTY: \_\_\_\_\_  
 MODEL #: \_\_\_\_\_  
 PROJECT NAME: \_\_\_\_\_

121817

3601 S. Banker St. Effingham, IL 62401 • P.O. BOX 609 • Ph: (888) 431-2667 • Fax: (800) 433-2667

## "HNB" MAPLE TOP WORK TABLES



### 1-3/4" THICK HARD ROCK MAPLE FLAT TOP W/ GALVANIZED BASE & ADJUSTABLE BRACING

#### FEATURES:

- 1-3/4" THICK HARD MAPLE TOP, STYLE "SC" FLAT TOP
- MAPLE TOP IS FINISHED WITH PENETRATING OIL WITH OPTIONAL NATURAL CLEAR VARNIQUE FINISH (VARNIQUE FINISH VOIDS NSF.)
- GALVANIZED BASE AND ADJUSTABLE BRACING
- ADJUSTABLE BULLET FEET
- SHIPPED KNOCKED-DOWN, EASY-TO-ASSEMBLE
- NSF CERTIFIED



#### MATERIAL:

- TOP: NORTHERN HARD ROCK MAPLE
- LEGS: 16 GAUGE GALVANIZED STEEL
- BRACING: 18 GAUGE GALVANIZED STEEL (6' TABLES COME WITH 16 GAUGE GALVANIZED STEEL.)
- GUSSETS: GALVANIZED STEEL
- FEET: 1" ADJUSTABLE GALVANIZED STEEL

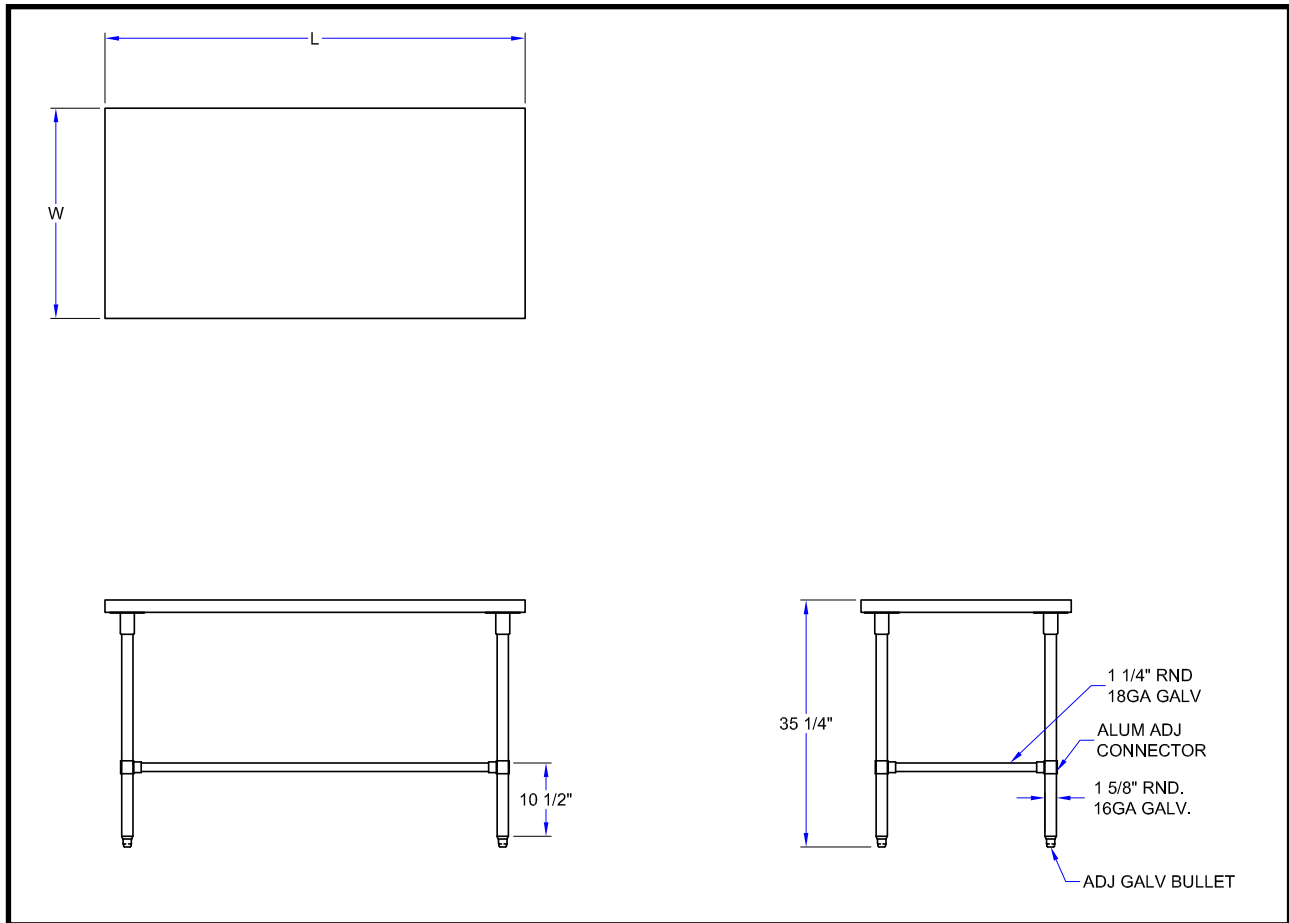
#### OPTIONAL ACCESSORIES

DESCRIPTION	MODEL	QTY
DRAWER		
DRAWER LOCK		
CASTERS		
OVERSHELVES		
POT RACK		

#### MAPLE TOP WORK TABLES

24" WIDE	QTY	30" WIDE	QTY	36" WIDE	QTY
HNB01		HNB07		HNB13	
HNB02		HNB08		HNB14	
HNB03		HNB09		HNB15	
HNB04		HNB10		HNB16	
HNB04A		HNB10A		HNB16A	
HNB05		HNB11		HNB17	
HNB05A		HNB11A		HNB17A	
HNB06		HNB12		HNB18	

# DETAILED SPECIFICATIONS



- UNITS 7 FT. AND LARGER ARE FURNISHED WITH SIX LEGS.
- FINISHED SIZE OF UNDERSHELF.  
 SHELF LENGTH = LENGTH MINUS 4.875"  
 SHELF WIDTH = WIDTH MINUS 4.25"

## MAPLE TOP WORK TABLES

LENGTH (L)	24" WIDE (W)	WT. (LBS)	30" WIDE (W)	WT. (LBS)	36" WIDE (W)	WT. (LBS)
36"	HNB01	62	HNB07	74	HNB13	86
48"	HNB02	78	HNB08	94	HNB14	110
60"	HNB03	94	HNB09	114	HNB15	134
72"	HNB04	110	HNB10	134	HNB16	157
84"	HNB04A	134	HNB10A	162	HNB16A	188
96"	HNB05	150	HNB11	182	HNB17	212
108"	HNB05A	165	HNB11A	201	HNB17A	236
120"	HNB06	182	HNB12	222	HNB18	260

SOME UNITS SHIP UNASSEMBLED FOR REDUCED SHIPPING COST. ALL DIMENSIONS ARE TYPICAL. TOLERANCE +/- .500"  
 John Boos & Co. is constantly engaged in a program of improving products and therefore reserves the right to change specifications without prior notice.

