



**John
BOOS**
Since 1887

ITEM #: _____ QTY: _____
 MODEL #: _____
 PROJECT NAME: _____

071017

3601 S. Banker St. Effingham, IL 62401 • P.O. BOX 609 • Ph: (888) 431-2667 • Fax: (800) 433-2667

"EPT6R10" STAINLESS STEEL PREP TABLE W/ SINK

- WITH 16GA STAINLESS STEEL WORK TOP
- WITH STAINLESS BASE & ADJUSTABLE UNDERSHELF



FEATURES:

- 16 GAUGE STAINLESS STEEL TOP W/ 10" RISER & TURNDOWN
- TYPE 300 STAINLESS STEEL WITH # 4 POLISH, SATIN FINISH
- 1 1/2" STALLION EDGE ON FRONT WITH SIDE EDGES 90 DEGREE BEND DOWN FOR TABLE LINE-UP
- (1) 16" X 20" X 12" BOWL & (1) 16" X 20" X 4" BOWL
- (1) 18" X 22" X 5/8" POLY CUTTING BOARD
- STAINLESS STEEL UTENSIL DRAWER
- STAINLESS STEEL BASE WITH ADJUSTABLE UNDERSHELF
- ADJUSTABLE BULLET FEET
- SHIPPED KNOCKED-DOWN, EASY-TO-ASSEMBLE
- NSF CERTIFIED
- ** INCLUDES (1) DECK MOUNTED FACUET 4" O/C W/ 10" SWING SPOUT

ADJUSTABLE SHELF



L = LEFT BOWL
R = RIGHT BOWL

CONSTRUCTION:

- TOP: STAINLESS STEEL TOPS ARE TIG WELDED, EXPOSED WELDS ARE POLISHED TO MATCH ADJACENT SURFACE.

MATERIAL:

- TOP: 16 GAUGE STAINLESS STEEL TYPE 300 STAINLESS STEEL WITH # 4 POLISH, SATIN FINISH
- SHELF: 18 GAUGE STAINLESS STEEL,
- LEGS: 1 5/8" ROUND O.D. 16 GAUGE TUBULAR STAINLESS STEEL
- GUSSETS: STAINLESS STEEL
- FEET: 1" ADJUSTABLE STAINLESS STEEL BULLET FEET



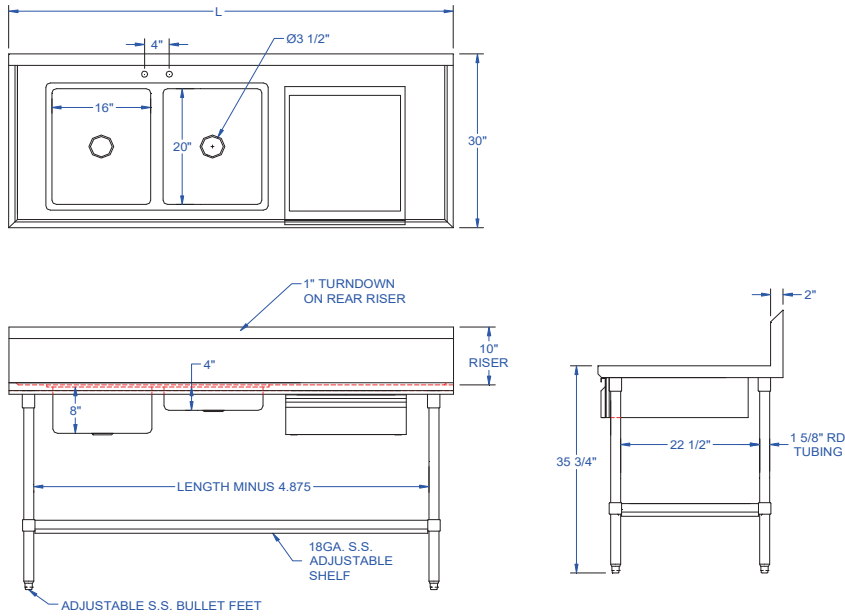
PBF-4DM-10LF

STAINLESS STEEL PREP TABLE W/ SINK

30" WIDE	QTY
EPT6R10-DL2B-72L	
EPT6R10-DL2B-72R	
EPT6R10-DL2B-96L	
EPT6R10-DL2B-96R	



DETAILED SPECIFICATIONS



- ALL UNITS SHIP UNASSEMBLED FOR REDUCED SHIPPING COST.
- UNITS 7 FT. AND LARGER ARE FURNISHED WITH SIX LEGS.
- ALL DIMENSIONS ARE TYPICAL.
- TOLERANCE +/- .500".
- FINISHED SIZE OF UNDERSHELF.
SHELF LENGTH = LENGTH MINUS 4.875"
SHELF WIDTH = WIDTH MINUS 4.25"

STAINLESS STEEL PREP TABLE W/ SINK

LENGTH	30" WIDE	WT. (LBS)
72"	EPT6R10-DL2B-72L	328
72"	EPT6R10-DL2B-72R	328
96"	EPT6R10-DL2B-96L	360
96"	EPT6R10-DL2B-96R	360

MODEL # STRUCTURE

DL = DELUXE
 10 = HT. OF RISER W/ TURNDOWN
 R = RISER TOP WORK TABLE
 6 = 16GA WORK SURFACE
 EPT=ECONOMY PREP TABLE

2B = NUMBER OF BOWLS
 72 = TABLE LENGTH
 L = BOWL LOCATION

EPT6R10-DL2B-72L

SOME UNITS SHIP UNASSEMBLED FOR REDUCED SHIPPING COST. ALL DIMENSIONS ARE TYPICAL. TOLERANCE +/- .500"
 John Boos & Co. is constantly engaged in a program of improving products and therefore reserves the right to change specifications without prior notice.

