



ITEM #: _____ QTY: _____
 MODEL #: _____
 PROJECT NAME: _____

112217

3601 S. Banker St. Effingham, IL 62401 • P.O. BOX 609 • Ph: (888) 431-2667 • Fax: (800) 433-2667

"EBSP3" ENCLOSED BASE TABLES



POLY TOP - SLIDING - 3/4" THICK

FEATURES:

- 3/4" THICK HIGH DENSITY POLYETHYLENE FLAT TOP
- SLIDING DOOR STYLE
- TOP IS SOUND DEADENED
- REINFORCED WITH 1"X2" CHANNEL RUNNING ENTIRE LENGTH OF TABLE
- 1-1/2" STALLION EDGE ON FRONT AND REAR WITH SIDE EDGES 90 DEGREE BEND DOWN FOR TABLE LINE-UP
- STAINLESS STEEL CABINET AND UNDERSHELF
- UNDERSHELF IS SECURED IN A FIXED POSITION, 10" ABOVE FLOOR
- ADJUSTABLE BULLET FEET
- SHIPPED STANDARD WELDED SET-UP
- NSF CERTIFIED



CONSTRUCTION:

- TOP: STAINLESS STEEL TOPS ARE TIG WELDED, EXPOSED WELDS ARE POLISHED TO MATCH ADJACENT SURFACE

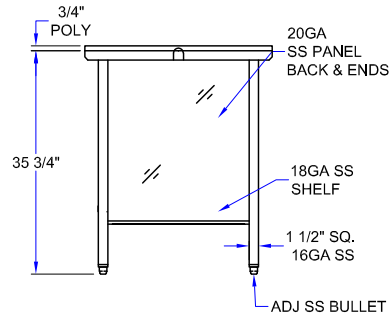
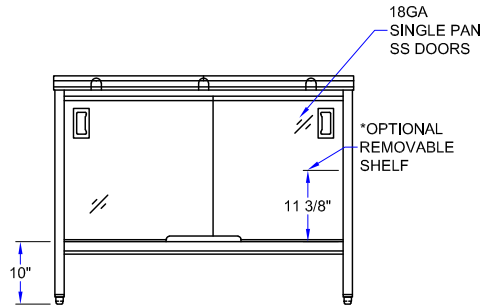
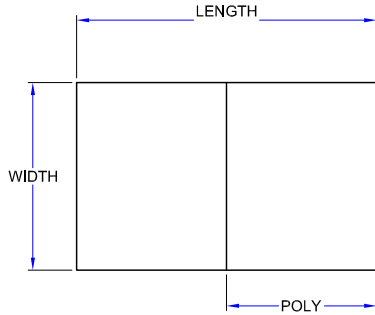
MATERIAL:

- POLY: 3/4" HIGH DENSITY POLYETHYLENE
- TOP: 16 GAUGE STAINLESS STEEL TYPE 300 STAINLESS STEEL WITH #4 POLISH, SATIN FINISH
- SHELF: 18 GAUGE TYPE 300 STAINLESS STEEL, #4 POLISH WITH SATIN FINISH
- LEGS: 1-1/2" SQUARE O.D., 16 GAUGE TUBULAR STAINLESS STEEL
- PANELS: 20 GAUGE TYPE 300 STAINLESS STEEL, #4 POLISH WITH SATIN FINISH
- FEET: 1" ADJUSTABLE STAINLESS STEEL BULLET FEET

ENCLOSED BASE TABLES

30" WIDTH	QTY
EBSP3-3036	
EBSP3-3048	
EBSP3-3060	
EBSP3-3072	
EBSP3-3084	
EBSP3-3096	
EBSP3-30108	
EBSP3-30120	
EBSP3-30132	
EBSP3-30144	

DETAILED SPECIFICATIONS



ENCLOSED BASE TABLES

LENGTH	LEGS	30" WIDTH	WEIGHT (LBS)
36"	4	EBSP3-3036	217
48"	4	EBSP3-3048	224
60"	4	EBSP3-3060	231
72"	4	EBSP3-3072	255
84"	6	EBSP3-3084	347
96"	6	EBSP3-3096	392
108"	6	EBSP3-30108	430
120"	6	EBSP3-30120	467
132"	6	EBSP3-30132	504
144"	6	EBSP3-30144	541

MODEL # STRUCTURE

P = POLY
 S = SLIDING
 EB = ENCLOSED BASE TABLE

3 = 3/4" THICK
 30 = WIDTH - FRONT TO BACK
 36 = LENGTH - LEFT TO RIGHT

EBSP3-3036

SOME UNITS SHIP UNASSEMBLED FOR REDUCED SHIPPING COST. ALL DIMENSIONS ARE TYPICAL. TOLERANCE +/- .500"

John Boos & Co. is constantly engaged in a program of improving products and therefore reserves the right to change specifications without prior notice.

