



ITEM #: _____ QTY: _____
 MODEL #: _____
 PROJECT NAME: _____

060319

3601 S. Banker St. Effingham, IL 62401 • P.O. BOX 609 • Ph: (888) 431-2667 • Fax: (800) 433-2667

"DTSS-T" DOUBLE SIDED TUBULAR SORTING SHELF

FEATURES:

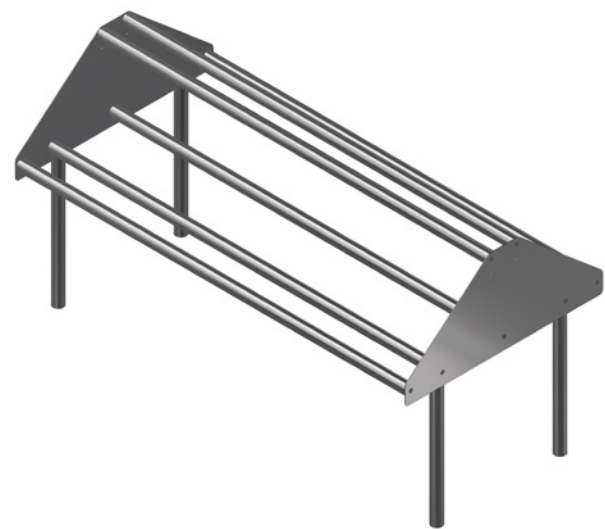
- DOUBLE SIDED TUBULAR SORTING SHELF
- FOR USE WITH L-SHAPED, CORNER, ISLAND, OR LANDING SOILED DISH TABLES
- MOUNTING WITH BOTH ENDS ATTACHED TO SOILED DISH TABLE OR ABILITY TO ATTACH ONE END TO THE WALL

CONSTRUCTION:

- 1-5/8" 16 GAUGE STAINLESS STEEL TUBING BOLTED TO END CAPS WITH 1-5/8" TUBULAR UPRIGHTS TO CONNECT TO DISH TABLE DECK

MATERIAL:

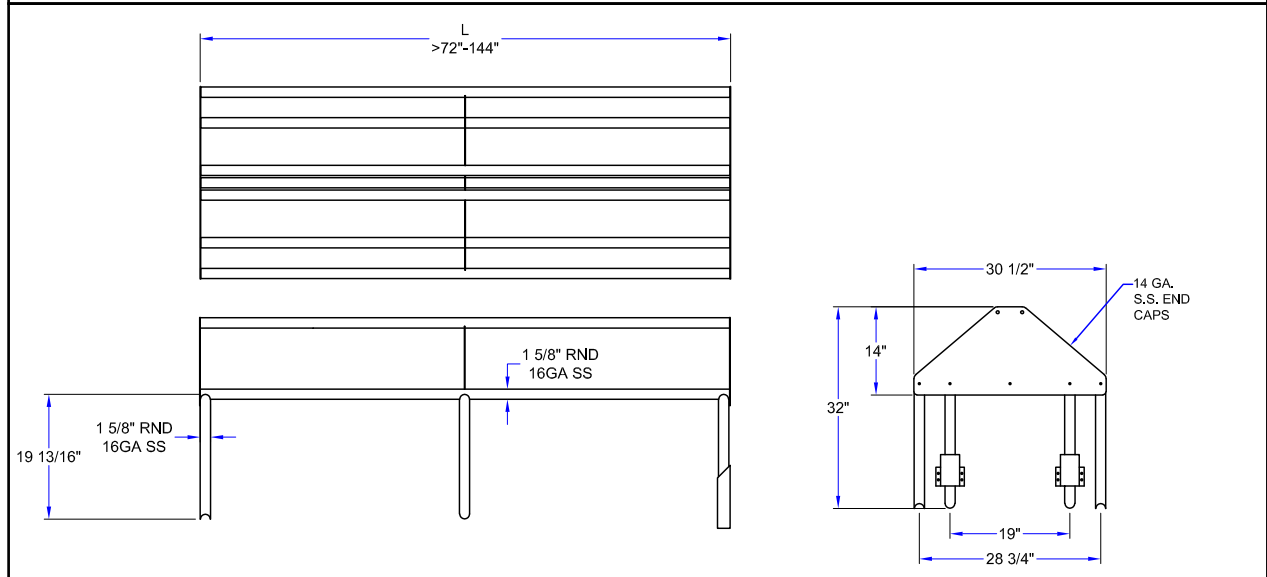
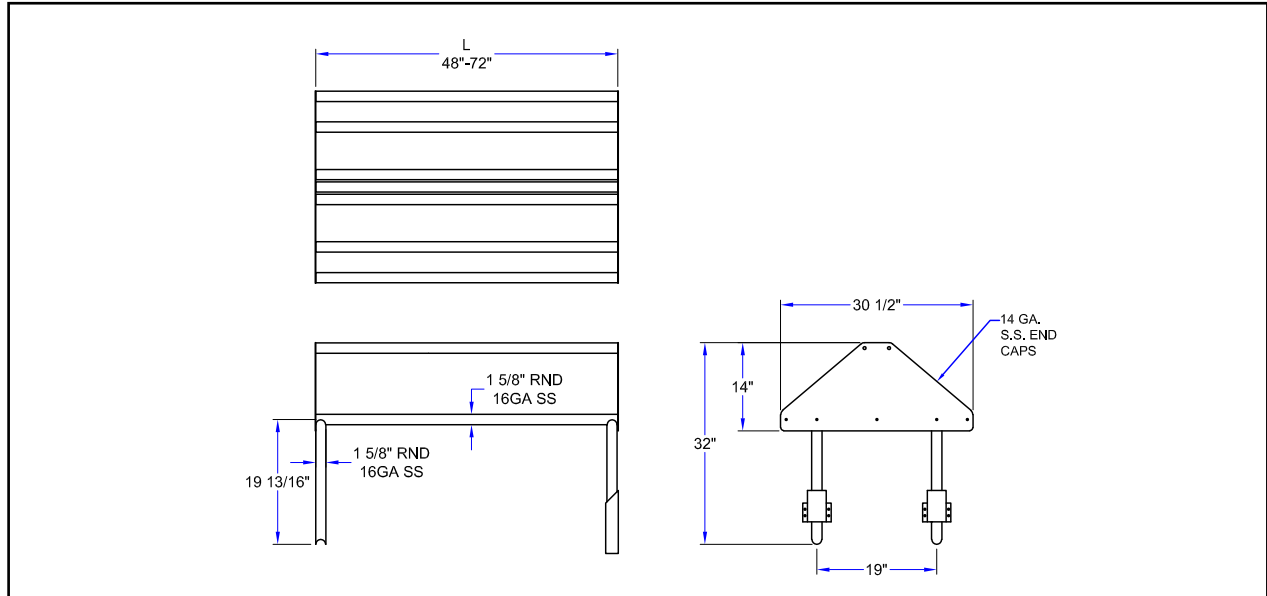
- TUBULAR SHELF: 1-5/8" 16 GAUGE STAINLESS STEEL TUBING
- UPRIGHTS: 1-5/8" 16 GAUGE STAINLESS STEEL TUBING
- END CAPS: 14 GAUGE TYPE 300 STAINLESS STEEL WITH #4 POLISH, SATIN FINISH



DOUBLE SIDED SORTING SHELF - TUBULAR

MODEL	QTY
DTSS-3048-T	
DTSS-3060-T	
DTSS-3072-T	
DTSS-3084-T	
DTSS-3096-T	
DTSS-30108-T	
DTSS-30120-T	
DTSS-30132-T	
DTSS-30144-T	

DETAILED SPECIFICATIONS



DOUBLE SIDED SORTING SHELF - TUBULAR

MODEL	L	WT
DTSS-3048-T	48	59
DTSS-3060-T	60	67
DTSS-3072-T	72	74
DTSS-3084-T	84	89
DTSS-3096-T	96	97
DTSS-30108-T	108	105
DTSS-30120-T	120	113
DTSS-30132-T	132	121
DTSS-30144-T	144	129

SOME UNITS SHIP UNASSEMBLED FOR REDUCED SHIPPING COST. ALL DIMENSIONS ARE TYPICAL. TOLERANCE +/- .500"
 John Boos & Co. is constantly engaged in a program of improving products and therefore reserves the right to change specifications without prior notice.



BOOS
lock

AQ AutoQuotes

3601 S. Banker St. • Effingham, IL 62401 • PO BOX 609 • quotes@johnboos.com

www.johnboos.com

060319

373