



**John
BOOS**
Since 1887

ITEM #: _____ QTY: _____

MODEL #: _____

PROJECT NAME: _____

032719

3601 S. Banker St. Effingham, IL 62401 • P.O. BOX 609 • Ph: (888) 431-2667 • Fax: (800) 433-2667

"DM-W" DEMO CART MIRROR

WOOD TABLE MOUNT

FEATURES:

- WOOD TABLE MOUNTED
- ALUMINUM FRAME ADJUSTABLE DEMO MIRROR WITH GLASS
- 16GA STAINLESS STEEL ROUND TUBE, 1-5/8" UPRIGHTS
- SAFETY BACKING

CONSTRUCTION:

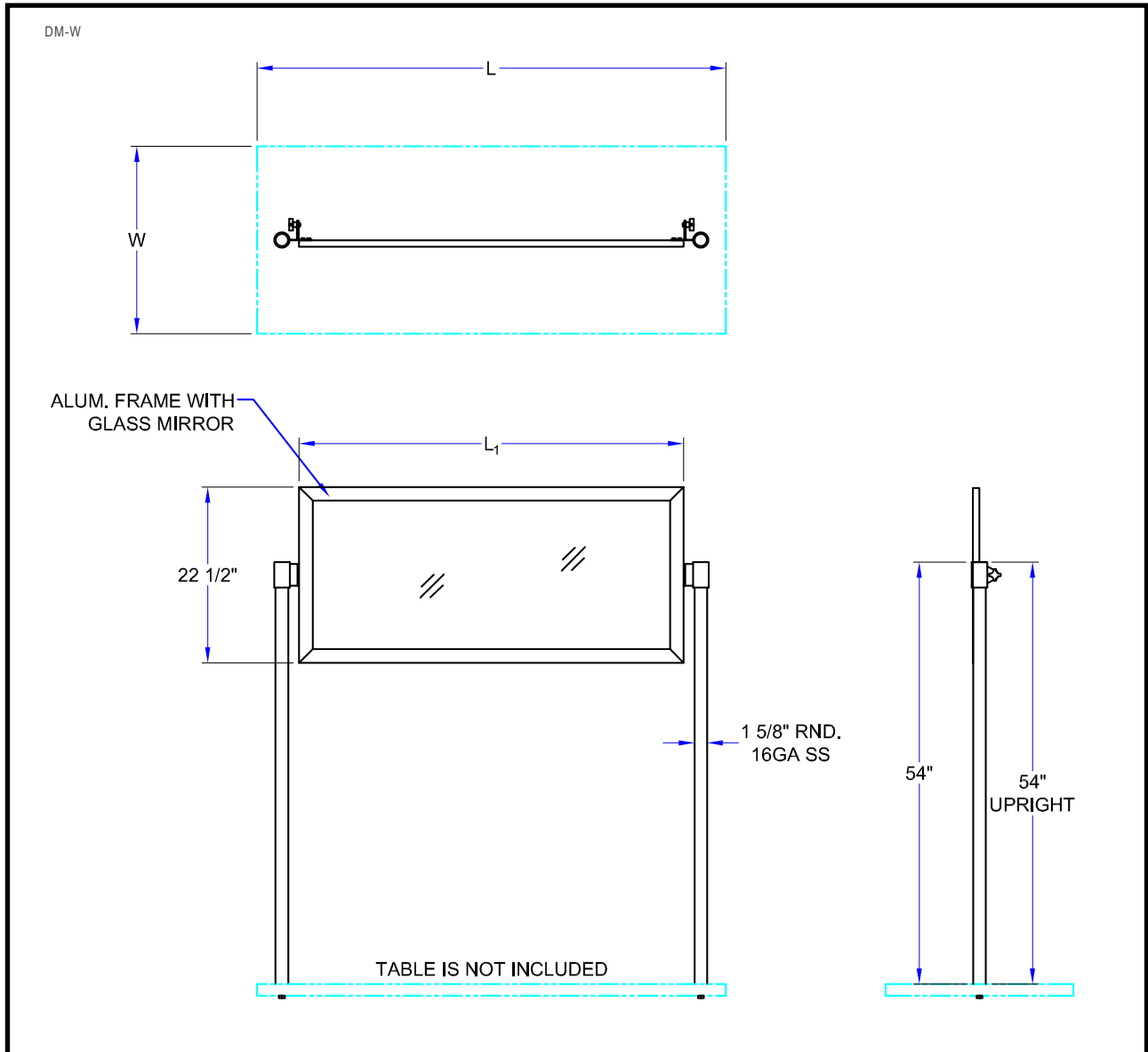
- 16GA STAINLESS STEEL ROUND TUBE, 1-5/8" UPRIGHTS
- ALUMINUM FRAME



"DM-W" DEMO CART MIRROR - WOOD TABLE MOUNT

MODEL #	QTY
DM-48-W	
DM-60-W	
DM-72-W	

DETAILED SPECIFICATIONS



"DM-W" DEMO CART MIRROR - WOOD TABLE MOUNT

MODEL	TABLE L X W	L ₁	WT (LBS)
DM-48-W	48"X36"	37-1/4"	24
DM-60-W	60"X36"	49-1/4"	28
DM-72-W	72"X36"	61-1/4"	32

SOME UNITS SHIP UNASSEMBLED FOR REDUCED SHIPPING COST. ALL DIMENSIONS ARE TYPICAL. TOLERANCE +/- .500"
 John Boos & Co. is constantly engaged in a program of improving products and therefore reserves the right to change specifications without prior notice.



Boos
lock

AQ AutoQuotes

3601 S. Banker St. • Effingham, IL 62401 • PO BOX 609 • quotes@johnboos.com

www.johnboos.com

041619

1027