

ITEM #: \_\_\_\_\_ QTY: \_\_\_\_\_  
 MODEL #: \_\_\_\_\_  
 PROJECT NAME: \_\_\_\_\_

020121

3601 S. Banker St. Effingham, IL 62401 • P.O. BOX 609 • Ph: (888) 431-2667 • Fax: (800) 433-2667

## “CHY-CUCKNB” CUCINA CLASSICO IN CHERRY

### FEATURES:

- CHERRY EDGE GRAIN TOP WITH VARNIQUE FINISH
- STAINLESS STEEL LEGS AND CENTER BRACING
- OPTIONS: SET OF 4 - 5" LOCKING CASTERS: CAS01-R



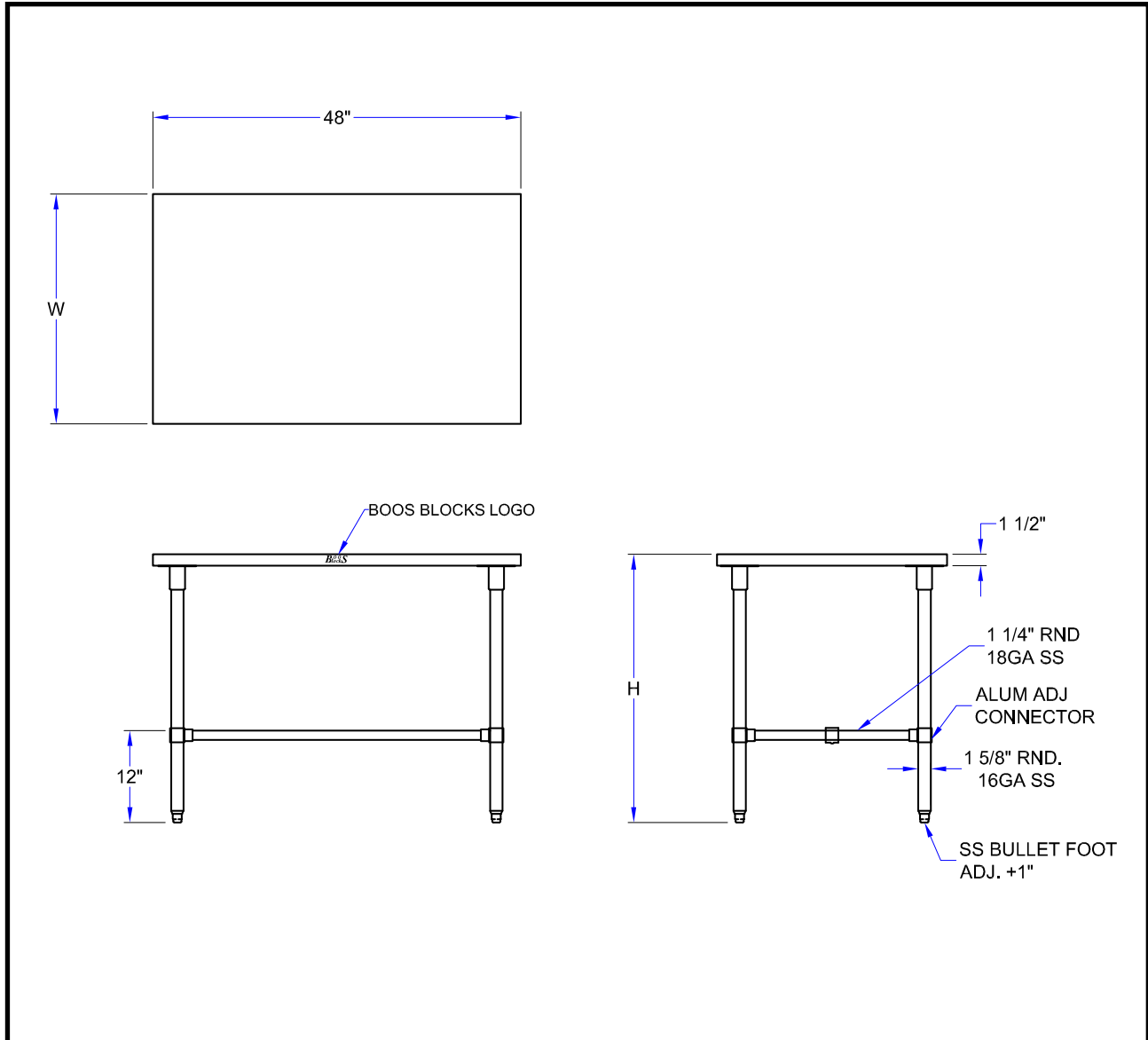
CAS01-R

CHY-CUCKNB430-40

### **CUCINA CLASSICO - CHERRY**

MODEL #	QTY
CHY-CUCKNB424	
CHY-CUCKNB424-40	
CHY-CUCKNB430	
CHY-CUCKNB430-40	

## DETAILED SPECIFICATIONS



### CUCINA CLASSICO - CHERRY

MODEL #	SIZE	HEIGHT	WEIGHT (LBS)
CHY-CUCKNB424	48" X 24" X 1-1/2"	35"	51
CHY-CUCKNB424-40	48" X 24" X 1-1/2"	40"	56
CHY-CUCKNB430	48" X 30" X 1-1/2"	35"	53
CHY-CUCKNB430-40	48" X 30" X 1-1/2"	40"	58

SOME UNITS SHIP UNASSEMBLED FOR REDUCED SHIPPING COST. ALL DIMENSIONS ARE TYPICAL. TOLERANCE +/- .500"  
 John Boos & Co. is constantly engaged in a program of improving products and therefore reserves the right to change specifications without prior notice.



Boos  
locks

AQ AutoQuotes

3601 S. Banker St. • Effingham, IL 62401 • PO BOX 609 • quotes@johnboos.com

[www.johnboos.com](http://www.johnboos.com)

020121

241