



**John  
BOOS**  
Since 1887

ITEM #: \_\_\_\_\_ QTY: \_\_\_\_\_

MODEL #: \_\_\_\_\_

PROJECT NAME: \_\_\_\_\_

022418

3601 S. Banker St. Effingham, IL 62401 • P.O. BOX 609 • Ph: (888) 431-2667 • Fax: (800) 433-2667

## **"C-ELIP" ELIPTICAL C-TABLE**

### **FEATURES:**

- 1-3/4" THICK ELIPTICAL HARD ROCK MAPLE TOP
- EDGE GRAIN CONSTRUCTION BUTCHER BLOCK SURFACE
- BOOS BLOCK BOARD CREAM WITH BEESWAX FINISH
- PAINTED BASE, AVAILABLE WITH 0, 1, OR 2 SHELVES
- USE SUFFIX -N FOR NO SHELF
- USE SUFFIX -S FOR ONE PAINTED SLATTED SHELF
- USE SUFFIX -2S FOR TWO PAINTED SLATTED SHELVES
- SEE BASE COLOR SPEC SHEET FOR COLOR OPTIONS
- OPTIONS: WICKER BASKET 8" X 15" X 6": DWB8156

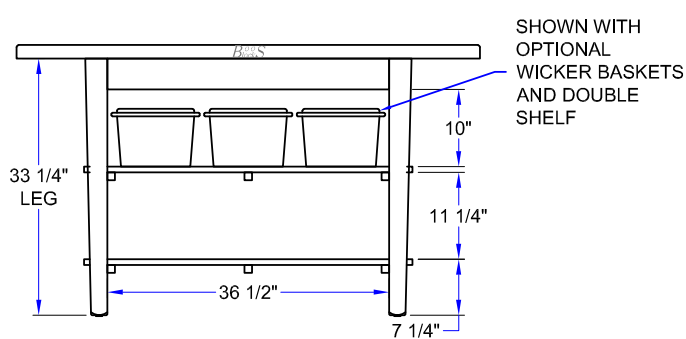
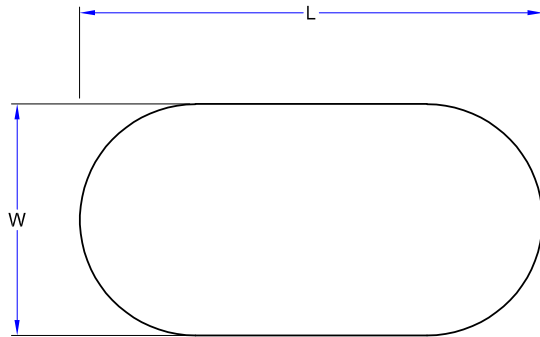


C-ELIP4830175

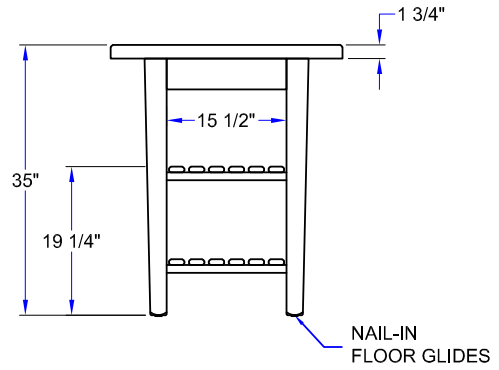
### **ELIPTICAL C-TABLE**

NO SHELF	QTY	1 SHELF	QTY	2 SHELVES	QTY
C-ELIP4830175		C-ELIP4830175-S		C-ELIP4830175-2S	
C-ELIP6030175		C-ELIP6030175-S		C-ELIP6030175-2S	
C-ELIP7230175		C-ELIP7230175-S		C-ELIP7230175-2S	

# DETAILED SPECIFICATIONS



SHOWN WITH  
OPTIONAL  
WICKER BASKETS  
AND DOUBLE  
SHELF



NAIL-IN  
FLOOR GLIDES

## ELLIPTICAL C-TABLE

NO SHELF	WT. (LBS)	1 SHELF	WT. (LBS)	2 SHELVES	WT. (LBS)
C-ELIP4830175	103	C-ELIP4830175-S	134	C-ELIP4830175-2S	165
C-ELIP6030175	124	C-ELIP6030175-S	161	C-ELIP6030175-2S	188
C-ELIP7230175	145	C-ELIP7230175-S	188	C-ELIP7230175-2S	211

SOME UNITS SHIP UNASSEMBLED FOR REDUCED SHIPPING COST. ALL DIMENSIONS ARE TYPICAL. TOLERANCE +/- .500"  
John Boos & Co. is constantly engaged in a program of improving products and therefore reserves the right to change specifications without prior notice.



3601 S. Banker St. • Effingham, IL 62401 • PO BOX 609 • quotes@johnboos.com

www.johnboos.com