



**John  
BOOS**  
Since 1887

ITEM #: \_\_\_\_\_ QTY: \_\_\_\_\_  
MODEL #: \_\_\_\_\_  
PROJECT NAME: \_\_\_\_\_

121917

3601 S. Banker St. Effingham, IL 62401 • P.O. BOX 609 • Ph: (888) 431-2667 • Fax: (800) 433-2667

## **"BT3S" MAPLE TOP WORK TABLES**



**1-3/4" THICK HARD ROCK MAPLE TOP W/ 4" COVERED RISER ON BACK AND SIDES.  
STAINLESS STEEL BASE W/ 3 TIER DRAWER UNIT**

### **FEATURES:**

- 1-3/4" THICK HARD MAPLE TOP, STYLE "SC" WITH 4" COVERED RISER ON BACK AND SIDES
- MAPLE TOP IS FINISHED WITH PENETRATING OIL WITH OPTIONAL NATURAL CLEAR VARNIQUE FINISH
- 3 TIER DRAWER UNIT
- STAINLESS STEEL BASE AND BRACING TYPE 300 STAINLESS STEEL, WITH #4 POLISH, SATIN FINISH
- ADJUSTABLE BULLET FEET
- SHIPPED KNOCKED-DOWN, EASY-TO-ASSEMBLE
- NSF CERTIFIED

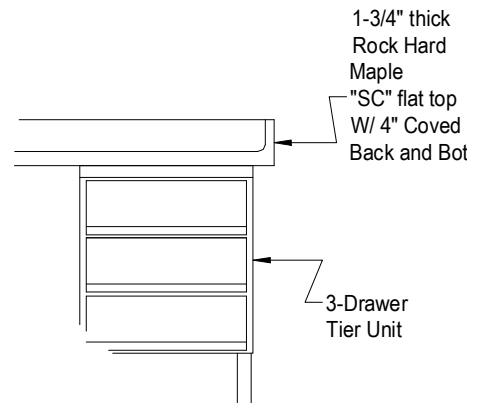


### **CONSTRUCTION:**

- BASE: STAINLESS STEEL BASES ARE TIG WELDED EXPOSED WELDS ARE POLISHED TO MATCH ADJACENT SURFACES

### **MATERIAL:**

- TOP: 1-3/4" THICK HARD ROCK MAPLE FINISHED WITH PENETRATING OIL
- DRAWER: PANELS - 22 GAUGE STAINLESS STEEL
- UNIT: FRONT DRAWER - 14 GAUGE REINFORCED WITH 1-1/2" SQUARE O.D. TUBING TYPE 300 STAINLESS STEEL WITH #4 POLISH, SATIN FINISH
- LEGS: 1-5/8" ROUND O.D., 16 GAUGE TYPE 300 TUBULAR STAINLESS STEEL WITH #4 POLISH, SATIN FINISH
- GUSSETS: STAINLESS STEEL
- FEET: 1" ADJUSTABLE STAINLESS STEEL BULLET FEET



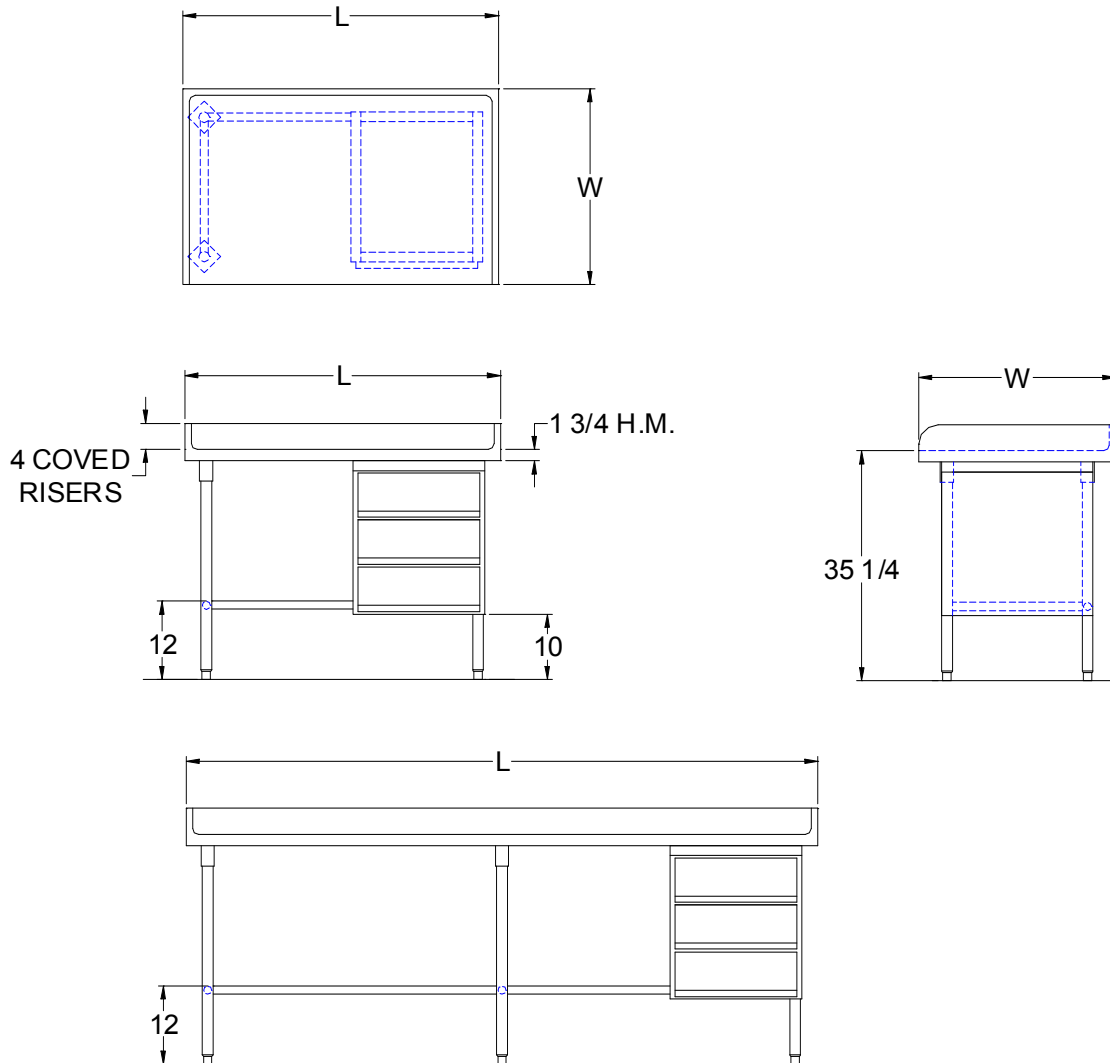
### **MAPLE TOP W/ 4" COVERED RISERS AND A 3 TIER DRAWER UNIT**

| 30" WIDE | QTY |
|----------|-----|
| BT3S01   |     |
| BT3S02   |     |
| BT3S03   |     |
| BT3S03A  |     |
| BT3S04   |     |

### **OPTIONAL ACCESSORIES**

| DESCRIPTION           | MODEL | QTY |
|-----------------------|-------|-----|
| DRAWER LOCK           |       |     |
| CASTERS               |       |     |
| OVERSHELVES           |       |     |
| POT RACK              |       |     |
| VERTICAL COVER CORNER |       |     |

## DETAILED SPECIFICATIONS



- UNITS 7 FT. AND LARGER ARE FURNISHED WITH SIX LEGS.

### MAPLE TOP W/ 4" COVERED RISERS AND A 3 TIER DRAWER UNIT

| LENGTH | 30" WIDE | WT. (LBS) |
|--------|----------|-----------|
| 48"    | BT3S01   | 208       |
| 60"    | BT3S02   | 232       |
| 72"    | BT3S03   | 254       |
| 84"    | BT3S03A  | 288       |
| 96"    | BT3S04   | 312       |

SOME UNITS SHIP UNASSEMBLED FOR REDUCED SHIPPING COST. ALL DIMENSIONS ARE TYPICAL. TOLERANCE +/- .500"  
 John Boos & Co. is constantly engaged in a program of improving products and therefore reserves the right to change specifications without prior notice.

