



**John
BOOS**
Since 1887

ITEM #: _____ QTY: _____

MODEL #: _____

PROJECT NAME: _____

080817

3601 S. Banker St. Effingham, IL 62401 • P.O. BOX 609 • Ph: (888) 431-2667 • Fax: (800) 433-2667

"ALMBR-T" MEAT BOAT RACKS - ALUMINUM **W/ TABLE MOUNT**

FEATURES:

- TYPE 6063-T5 ALUMINUM
- SQUARE TUBE FRAME, SLATTED SHELF, BACK AND SIDES
- TABLE MOUNT
- STANDARD WITH PAPER TRAY
- OPTIONAL DIVIDERS (ALMBR-D) 20" X 24"

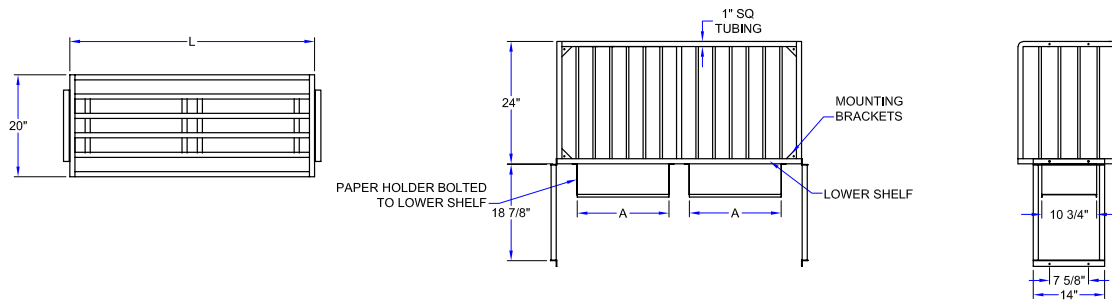


MEAT BOAT RACKS - ALUMINUM

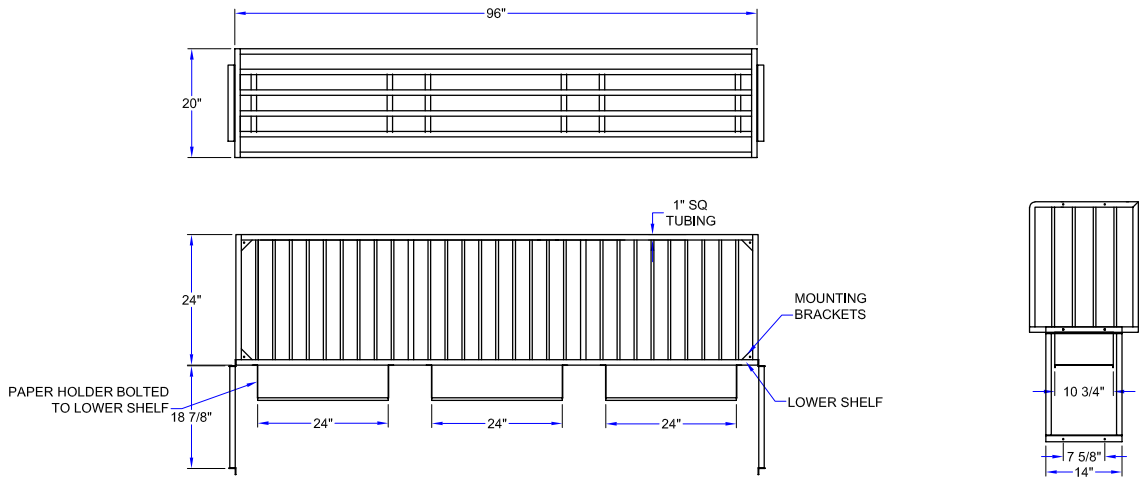
MODEL #	QTY
ALMBR-4T	
ALMBR-5T	
ALMBR-6T	
ALMBR-8T	

DETAILED SPECIFICATIONS

ALMBR



ALMBR-8



MEAT BOAT RACKS - ALUMINUM

MODEL #	MOUNT TYPE	DRAWERS	DIMENSIONS (L X D)	A	WEIGHT (LBS)
ALMBR-4T	TABLE	2	48" X 20"	18	25
ALMBR-5T	TABLE	2	60" X 20"	24	31
ALMBR-6T	TABLE	2	72" X 20"	30	37
ALMBR-8T	TABLE	3	96" X 20"	24	50

SOME UNITS SHIP UNASSEMBLED FOR REDUCED SHIPPING COST. ALL DIMENSIONS ARE TYPICAL. TOLERANCE +/- .500"

John Boos & Co. is constantly engaged in a program of improving products and therefore reserves the right to change specifications without prior notice.



3601 S. Banker St. • Effingham, IL 62401 • PO BOX 609 • quotes@johnboos.com

www.johnboos.com

052318

863