



**John  
BOOS**  
Since 1887

ITEM #: \_\_\_\_\_ QTY: \_\_\_\_\_  
 MODEL #: \_\_\_\_\_  
 PROJECT NAME: \_\_\_\_\_

081820

3601 S. Banker St. Effingham, IL 62401 • P.O. BOX 609 • Ph: (888) 431-2667 • Fax: (800) 433-2667

## **"ABPR-S" ALUMINUM MOBILE PAN RACKS - SIDE LOAD**

### **FEATURES:**

- 6063 ALUMINUM 1" SQUARE TUBING
- BOLTED CROSS RAILS
- 3" SPACING - 20 PAN CAPACITY
- 5" CASTERS

### **CONSTRUCTION:**

- RACK: 6063 ALUMINUM; MIG WELDED.

### **MATERIAL:**

- 6063 ALUMINUM



### **STANDARD MOBILE PAN RACK- SQUARE TOP DESIGN**

| MODEL #        | QTY |
|----------------|-----|
| ABPR-1820-3KDS |     |



NESTING RACKS

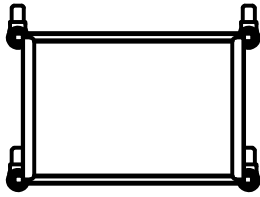
### **STANDARD MOBILE PAN RACK- ROUND TOP DESIGN**

| MODEL #        | QTY |
|----------------|-----|
| ABPR-1820-RKDS |     |

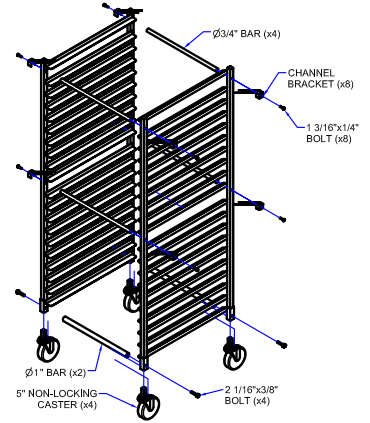
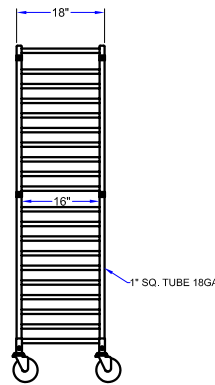
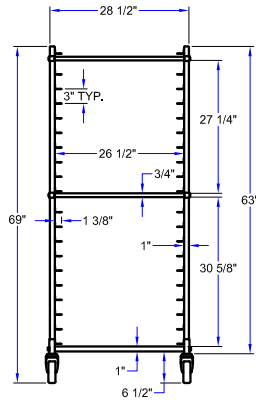
### **NESTED MOBILE PAN RACK- SQUARE TOP DESIGN**

| MODEL #       | QTY |
|---------------|-----|
| ABPR-1820-ZNS |     |

# DETAILED SPECIFICATIONS

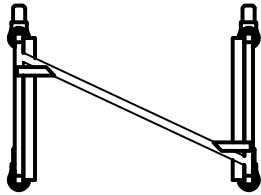


KNOCK DOWN  
BOLT TOGETHER  
CONSTRUCTION

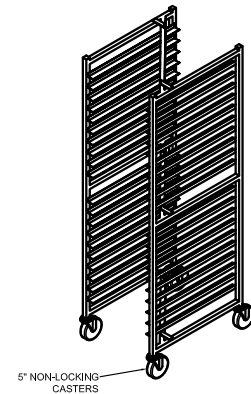
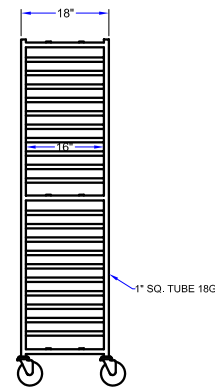
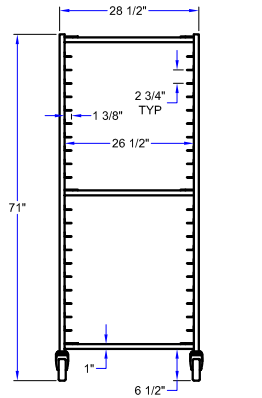


## STANDARD MOBILE PAN RACK- SQUARE TOP DESIGN

| MODEL #        | LENGTH  | WIDTH | HEIGHT | WT. (LBS) | WT. LIMIT/RACK(LBS) | WT. LIMIT/PAN (LBS) |
|----------------|---------|-------|--------|-----------|---------------------|---------------------|
| ABPR-1820-3KDS | 28-1/2" | 18"   | 69"    | 30        | 200                 | 10                  |



KNOCK DOWN  
BOLT TOGETHER  
CONSTRUCTION

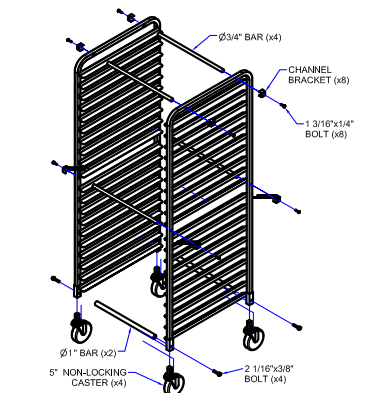
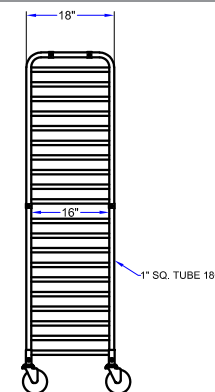
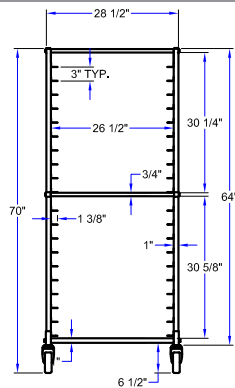


## NESTED MOBILE PAN RACK- SQUARE TOP DESIGN

| MODEL #       | LENGTH  | WIDTH | HEIGHT | WT. (LBS) | WT. LIMIT/RACK(LBS) | WT. LIMIT/PAN (LBS) |
|---------------|---------|-------|--------|-----------|---------------------|---------------------|
| ABPR-1820-ZNS | 28-1/2" | 18"   | 71"    | 30        | 300                 | 10                  |



FULLY WELDED SET-UP  
CONSTRUCTION



## STANDARD MOBILE PAN RACK- ROUND TOP DESIGN

| MODEL #        | LENGTH  | WIDTH | HEIGHT | WT. (LBS) | WT. LIMIT/RACK(LBS) | WT. LIMIT/PAN (LBS) |
|----------------|---------|-------|--------|-----------|---------------------|---------------------|
| ABPR-1820-RKDS | 28-1/2" | 18"   | 70"    | 30        | 200                 | 15                  |

SOME UNITS SHIP UNASSEMBLED FOR REDUCED SHIPPING COST. ALL DIMENSIONS ARE TYPICAL. TOLERANCE +/- .500"

John Boos & Co. is constantly engaged in a program of improving products and therefore reserves the right to change specifications without prior notice.



3601 S. Banker St. • Effingham, IL 62401 • PO BOX 609 • quotes@johnboos.com

081820



www.johnboos.com

117