

ITEM #: _____ QTY: _____
 MODEL #: _____
 PROJECT NAME: _____

041218

3601 S. Banker St. Effingham, IL 62401 • P.O. BOX 609 • Ph: (888) 431-2667 • Fax: (800) 433-2667

"AB" BLOCK
10" THICK BLOCK

FEATURES:

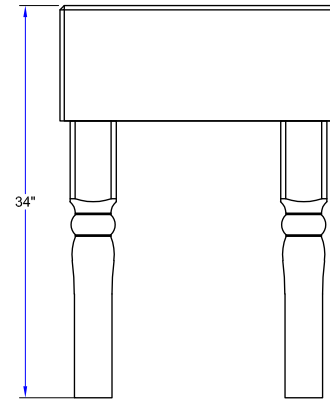
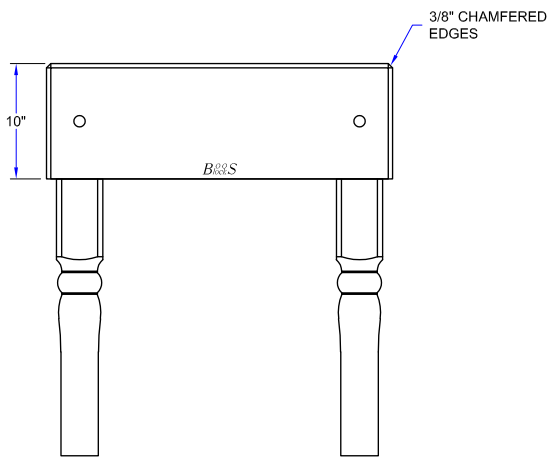
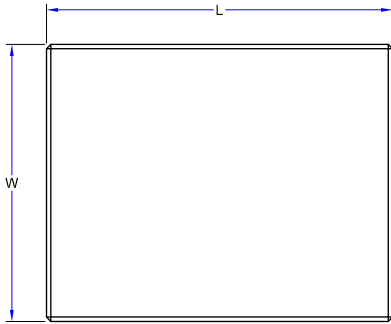
- STANDARD WITH BOOS BLOCK CREAM FINISH WITH BEESWAX ON CUTTING SURFACE ONLY
- AB-LEG STANDARD
- AB01 UPS-ABLE
- SEE BASE COLOR SPEC SHEET FOR COLOR OPTIONS
- OPTIONS: 4 - 2-1/2" COMMERCIAL GRADE LOCKING CASTERS: CAS03



"AB" BLOCK

MODEL #	QTY
AB01	
AB02	
AB05	
AB06	
AB07	

DETAILED SPECIFICATIONS



"AB" BLOCK

MODEL #	SIZE	HEIGHT	WEIGHT (LBS)
AB01	18" X 18" X 10"	34"	135
AB02	24" X 18" X 10"	34"	160
AB05	24" X 24" X 10"	34"	205
AB06	30" X 24" X 10"	34"	245
AB07	30" X 30" X 10"	34"	295

SOME UNITS SHIP UNASSEMBLED FOR REDUCED SHIPPING COST. ALL DIMENSIONS ARE TYPICAL. TOLERANCE +/- .500"
 John Boos & Co. is constantly engaged in a program of improving products and therefore reserves the right to change specifications without prior notice.



3601 S. Banker St. • Effingham, IL 62401 • PO BOX 609 • quotes@johnboos.com

012618



www.johnboos.com