



IS 15 IDRA



IS 25 IDRA



IS 35 IDRA

Sausage stuffers, hydraulic



YouTube



IS 15 IDRA



IS 25 IDRA



IS 35 IDRA

- Complete stainless steel construction to withstand heavy-duty application
- Easily removable lid, cylinder and piston for thorough cleaning and sanitation to ensure the highest levels of hygiene and safety
- IP 67 waterproof & dustproof protection switch, flow dial regulator
- Side-mounted foot switch for convenience of operation
- Automatic piston decompression and shut-off
- A four (4) stainless steel funnel set 1/2" - 5/8" - 7/8" - 1 3/8" comes standard
- Dial Adjustment
- Hydraulic oil AW 46 tank with level gauge

Features

Technical

- The machine is completely made of stainless steel for durable long life.
- Silicone gaskets act inside the cylinder for better seal and longer life of the gasket.
- Side mounted foot switch for more comfortable operation.
- 4-funnel set in stainless steel 1/2" - 5/8" - 7/8" - 1 3/8" included.

Safety

- Overload and no volt release protection

Sanitary

- The machine can be completely disassembled for an easy and accurate sanitation.

Specifications

Motor:

0.75 Hp (520 W), fan cooled.

Electrical IS 15:

220V AC, 60Hz, Single Phase, 2.3 Amps.

Electrical IS 25:

220V AC, 60Hz, Single Phase, 2.3 Amps.

Electrical IS 25-35:

220V AC, 60Hz, 3Phase, 1.3 Amps.

Plug and Cord IS 15:

Attached, flexible, 3 wire (3PH+1G) SJT 12 AWG, 6'4" long cord, 1.3 Amps, NEMA 6-15P plug.

Plug and Cord IS 25-35:

Attached, flexible, 4 wire (3PH+1G) SJT 16 AWG, 6'4" long cord.

Controls:

ON/OFF stainless steel keypad, IP 67 waterproof protection. No voltage release

Easy and fast breakdown for cleaning



Piston gasket



Easy access for maintenance and oil level checking



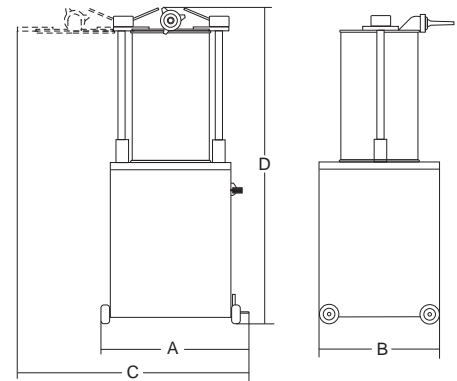
Side mounted foot switch



Stainless steel funnel lock ring



4-funnel set, in stainless steel
1/2" - 5/8" - 7/8" - 1 3/8" included



	Power	Cylinder capacity	Cylinder length	Cylinder diameter	Piston stroke	Min. forward speed	Max. forward speed	Backward speed	Funnel diameter	A	B	C	D	Net weight	Shipping	Gross weight
	Watt/Hp	lbs.	inch.	Ø inch.	inch.				Ø inch.	inch.	inch.	inch.	inch.	lbs.	inch.	lbs.
IS 15 Idra	520/0,7	32	19 ^{1/2} "	7 ^{7/8} "	16 ^{15/16} "	2' 11"	59"	35"	1/2" - 5/8" - 7/8" - 3 ^{1/8} "	19 ^{5/16} "	14 ^{5/8} "	27 ^{9/16} "	47 ^{1/4} "	117	36" x 36" x 60"	185
IS 25 Idra	520/0,7	55	18 ^{1/8} "	10 ^{1/4} "	14 ^{15/16} "	2' 02"	51"	32"	1/2" - 5/8" - 7/8" - 3 ^{1/8} "	22 ^{1/4} "	17 ^{11/16} "	37 ^{3/8} "	45 ^{11/16} "	200	48" x 40" x 60"	270
IS 35 Idra	520/0,7	75	18 ^{1/8} "	12 ^{5/8} "	14 ^{15/16} "	2' 02"	51"	32"	1/2" - 5/8" - 7/8" - 3 ^{1/8} "	25 ^{3/16} "	18 ^{7/8} "	39 ^{3/8} "	45 ^{11/16} "	222	48" x 40" x 60"	325