



**GAS**

PRO SERIES | RANGE MATCH SPREADERS

**IMPERIAL**



**IR-12-SPR**

Model Numbers

IR-12-SPR

IR-18-SPR

IR-24-SPR

IR-36-SPR



SPREADER TOP PROVIDES EXTRA WORKING SPACE



OPTIONAL ELECTRIC BAIN-MARIE SHOWN WITH OPTIONAL FAUCET



OPTIONAL CUT-OUTS ARE ALSO AVAILABLE

## SPREADER

- Provides additional working space between ranges.
- Cabinet base has a bottom shelf for storing pans and stock pots.
- Permits rear tee connection to add sufficient gas input for a large battery of gas equipment.
- Optional electric Bain-Marie and optional faucet for added convenience for 18", 24" and 36" (457, 610, 914 mm) models.
- Optional cut-outs in work top are available to hold round inserts.

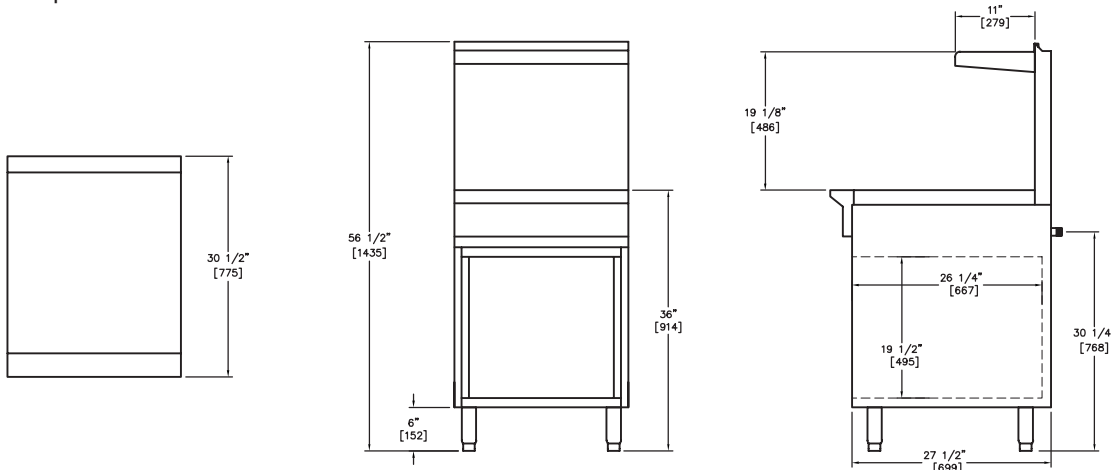
## EXTERIOR FEATURES

- Stainless steel front, sides, landing ledge and open cabinet base.
- Welded and polished stainless steel seams.
- Large 5" (127 mm) stainless steel landing ledge.
- 6" (152 mm) high 2-1/2" (64 mm) diameter heavy duty legs with adjustable feet.
- One year parts and labor warranty.

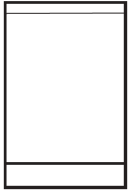


**GAS**

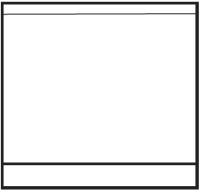
PRO SERIES | RANGE MATCH SPREADERS



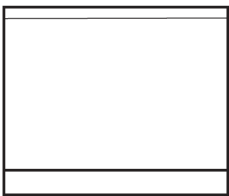
MODEL	WIDTH (MM)	BASE DESCRIPTION	SHIP WEIGHT	
			KG	LBS
IR-12-SPR	12" (305)	OPEN CABINET WITH BOTTOM SHELF	68	150



MODEL	WIDTH (MM)	BASE DESCRIPTION	SHIP WEIGHT	
			KG	LBS
IR-18-SPR	18" (457)	OPEN CABINET WITH BOTTOM SHELF	72	160



MODEL	WIDTH (MM)	BASE DESCRIPTION	SHIP WEIGHT	
			KG	LBS
IR-24-SPR	24" (610)	OPEN CABINET WITH BOTTOM SHELF	88	195



MODEL	WIDTH (MM)	BASE DESCRIPTION	SHIP WEIGHT	
			KG	LBS
IR-36-SPR	36" (914)	OPEN CABINET WITH BOTTOM SHELF	95	210

MODEL	DIMENSIONS	CRATED DIMENSIONS
IR-12-SPR	12" W X 31-1/2" D X 56-1/2" H (305 X 794 X 1435 MM)	14" W X 39" D X 35" H (660 X 991 X 889 MM)
IR-18-SPR	18" W X 31-1/2" D X 56-1/2" H (305 X 794 X 1435 MM)	20" W X 39" D X 35" H (508 X 991 X 889 MM)
IR-24-SPR	24" W X 31-1/2" D X 56-1/2" H (305 X 794 X 1435 MM)	26" W X 39" D X 35" H (660 X 991 X 889 MM)
IR-36-SPR	36" W X 31-1/2" D X 56-1/2" H (305 X 794 X 1435 MM)	38" W X 39" D X 35" H (965 X 991 X 889 MM)

**OPTIONS AND ACCESSORIES**

- Electric bain-marie and faucet for 18", 24" and 36" (457, 610 and 914 mm) models
- Cut-outs in work top for round inserts
- Salamander or Cheesemelter Infra-red Broilers for 24" and 36" (610 and 914 mm) models
- Reinforcement channels for mounting cheesemelter/salamander
- Stainless steel single door on 12", 18" and 24" (305, 457 and 610 mm) open cabinet base
- Stainless steel double door on 36" (914 mm) open cabinet base
- Stainless steel center shelf in open cabinet base
- 6" (152 mm) casters

