



GEMO450 ON IOD150

Features

- Space-saving 21" (533 mm) wide design.
- Produces up to 508 lbs (230 kg) of ice per day.
- Pearl Ice® soft, chewable ice crystals.
- Cools beverages faster and longer while maintaining flavors better.
- Decreased water and power usage compared to cube ice makers.
- SystemSafe load monitoring system constantly checks workload on gearbox, shutting down system before a problem develops and preventing costly repairs.
- Water Sensor eliminates low or no water failures and cannot be affected by adverse water conditions.
- Rugged stainless steel evaporator and auger ensures reliability.
- Industrial-grade roller bearings and heavy-duty gearbox provide years of trouble-free service.

Options & Accessories

| WATER FILTERS | | |
|-------------------|----------|-------------|
| Ice Machine Model | Manifold | |
| | System | Replacement |
| GEMO450 | IFQ1 | IOMQ (1) |

Ice Maker Warranty

Every Ice-O-Matic ice maker is backed by a warranty that provides both parts and labor coverage.

- Three years **Parts** and **Labor** for all Pearl Ice® ice maker parts.
- Five years **Parts** coverage on the compressor.

Ice Form



PEARL ICE

PEARL ICE DIMENSIONS

| | |
|----------------|------------|
| H x Dia. (in.) | 1/2 x 3/8 |
| H x Dia. (mm) | 12.7 x 9.5 |

Bin Chart *Kits for Combining Wider Bins with Smaller Models*

| ICE STORAGE BINS | | | | | | | | | | |
|------------------|------------------|------------------|------------------|------------------|------------------|-------------------|------------------|-------------------|-------------------|-------------------|
| Model No. | B25 | B40 | B42 | B55 | B700 | B1000 | B110 | B1300 | B1325 | B1600 |
| Capacity | 242 lbs (110 kg) | 344 lbs (156 kg) | 351 lbs (160 kg) | 510 lbs (232 kg) | 680 lbs (308 kg) | 1000 lbs (454 kg) | 854 lbs (388 kg) | 1320 lbs (599 kg) | 1325 lbs (601 kg) | 1660 lbs (753 kg) |
| Width | 30 in (762 mm) | 30 in (762 mm) | 22in (559 mm) | 30 in (762 mm) | 30 in (762 mm) | 48 in (1,219 mm) | 48 in (1,219 mm) | 48 in (1,219 mm) | 60 in (1,524 mm) | 60 in (1,524 mm) |
| Kits | KBT19 | | KBT24 | KBT19 | N/A | | KBT23 | N/A | | |
| GEMO450 (2) | N/A | | | | N/A | | KBT22 | N/A | | |

*See Ice-O-Matic Price List for Adapter Kits to combine ice makers with most available ice/beverage dispensers.

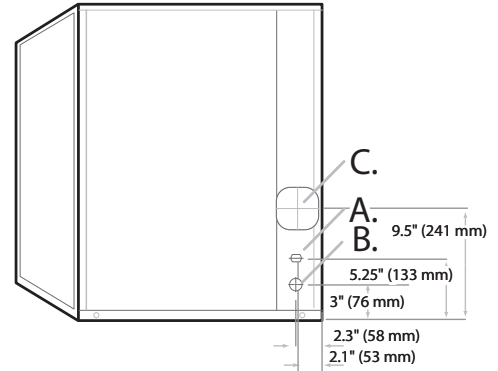
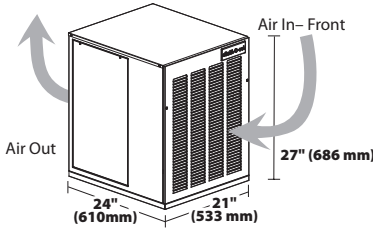


GEMO450 PEARL ICE® MAKER

Air Cooled

Please note: air-cooled units require 6" (152 mm) clearance for air intake and exhaust.

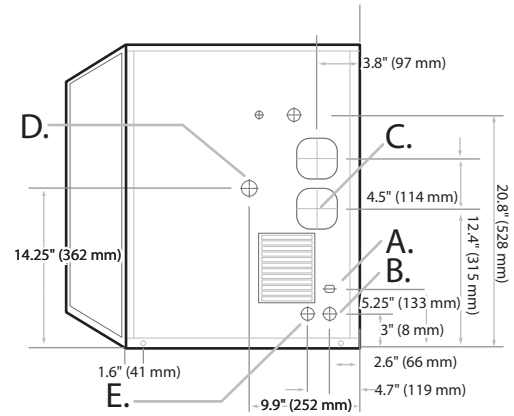
- A. Ice maker potable water in, 3/8" FPT.
- B. Ice maker water out, 3/4" FPT.
- C. Electrical inlet.



Rear View Air Cooled

Water Cooled

- A. Ice maker water in, 3/8" FPT.
- B. Ice maker water out, 3/4" FPT.
- C. Electrical inlet.
- D. Condenser water in, 3/8" FPT (water cooled only).
- E. Condenser water out, 1/2" FPT (water cooled only).



Rear View Water Cooled

Operating Requirements

| | MINIMUM | MAXIMUM |
|-------------------------|-------------------|--------------------|
| | 60 Hz | |
| Ambient Temp. Range Air | 50°F (10°C) | 100°F (38°C) |
| Water Temp. | 40°F (4.4°C) | |
| Water Pressure | 20 PSIG (1.4 BAR) | 120 PSIG (8.3 BAR) |

Dimensions

| ALL MODELS | |
|-----------------|-----------------|
| W x D x H (in.) | 21 x 24 x 27 |
| W x D x H (mm) | 533 x 610 x 686 |

Specifications

| Model Number | Cond. Unit | Ice Production per 24hrs | | Water Usage gallons per 100 lbs (45 kg) of Ice 90°F (32°C) air/70°F (21°C) water | | kWH Used per 100 lbs (45 kg) of ice @ 90°F (32°C) air/70°F (21°C) water | Voltage Characteristics | Min. Circuit Ampacity | Fuse Size | Approx. BTUs per hour** |
|--------------|------------|--|--|--|-----------|---|-------------------------|-----------------------|-----------|-------------------------|
| | | 70°F (21°C) air/50°F (10°C) water lbs (kg) | 90°F (32°C) air/70°F (21°C) water lbs (kg) | Potable | Condenser | | | | | |
| GEMO450A | Air | 464 (210) | 354 (161) | 12.0 | - | 5.31 | 115/60/1 | 16.0 | 20 | 5,600 |
| GEMO450W | Water | 508 (230) | 429 (195) | | 68.5 | 4.11 | | | | |

*BTUH is calculated 0°F Evaporator, 100°F Condensing, and 33 PSIG. When installing a modular GEM on a drink dispenser, the KGEMDISP MUST be used.

NOTES:

- Number of Wires: 3 (including ground)
- Approx. Shipping Weight lbs (kg): GEMO450A 205 (93) • GEMO450W 220 (100)
- Refrigerant Type: R404A