



Profit from the Eagle Advantage®

Foodservice Division: (800) 441-8440

MHC/Retail Display Divisions: (800) 637-5100

FAX: (302) 653-2065

Product Announcement

Short Form Specifications

Eagle Wall Mounted Multi-Station Hand Sink, model _____ . Heavy duty 14 gauge stainless steel construction. 9½" high backsplash with 2" return. 1½"-diameter 16 gauge stainless steel tubular supports and gussets. Offered in lengths ranging from 48" to 96". Faucet holes at 8" centers.

Item #:	_____
Model #:	_____
Project #:	_____
SIS #:	_____

EG8099 Rev. 02/18



Wall Mounted Multi-Station Hand Sinks

Featuring Continuous Full-Length Bowl and Tubular Supports

Design and Construction Features

- Single full-length bowl with basket drain(s) and rolled edge.
- 14 gauge type 304 stainless steel construction.
- Wall-mounted tubular supports consists of 16 gauge 1½" (41mm)-diameter tubing.
- Stainless steel basket drain assembly (two on sink #HSA-WM-96).
- 9½" backsplash, with set(s) of faucet holes at 8" (203mm) on center.
- Supplied with "z"-brackets.
- 21½" overall front-to-back.
- Lengths available range from 48" to 96" (1219 to 2438mm).

Options & Accessories available

- Optional Faucets
- Lever Handle Drains
- Twist Handle Drains



#HSA-WM-60

Made of heavy duty 14 gauge type 304 stainless steel, these trough-style multi-station hand sinks are designed with the demands of healthcare in mind. Eagle's Wall Mounted Multi-Station Hand Sinks feature rugged stainless steel tubular wall supports that provide full clearance underneath for storage. Full-length sink bowl, with 1½" rolled edge, are ideal for high-volume areas where multiple users are washing their hands at the same time. Faucet holes are pre-punched on 8" centers into the 9½"-high backsplash to accommodate your choice of faucets. Stainless steel quality and durability will give years of use.

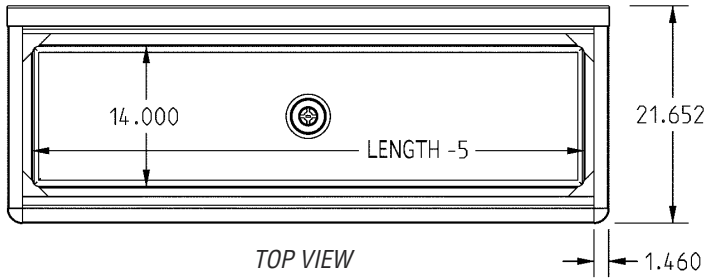
For custom configuration or fabrication needs, contact our **SpecFAB® Division**.
Phone: (302) 653-3000. FAX: (302) 653-2065.
E-mail: quotes@eaglegrp.com



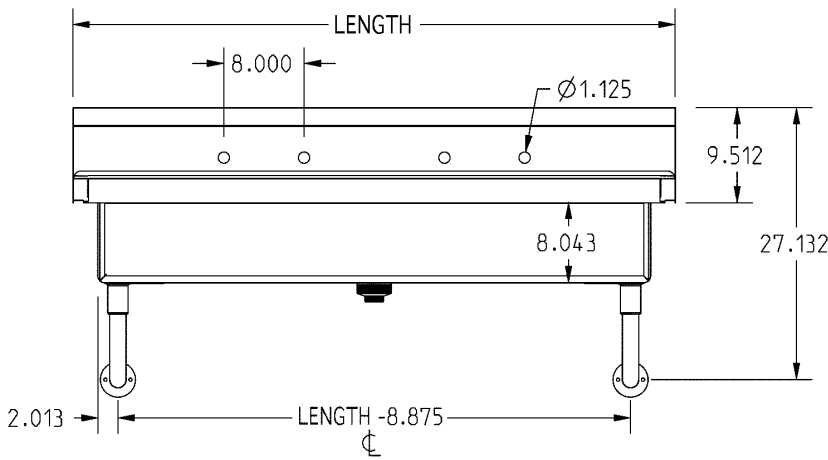


Profit from the Eagle Advantage®

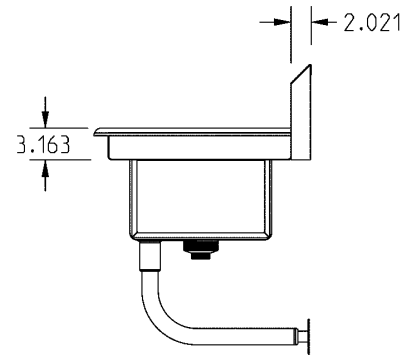
Wall Mounted Multi-Station Hand Sinks



TOP VIEW



FRONT VIEW



SIDE VIEW

overall width x length x height in.	mm	bowl width x length x depth in.	mm	# of faucets required	weight lbs. kg	model #
21 ¹ / ₁₆ " x 48" x 27 ³ / ₁₆ "	551 x 1219 x 538	14" x 43" x 8"	356 x 1092 x 203	2	61 27.2	HSA-WM-48
21 ¹ / ₁₆ " x 60" x 27 ³ / ₁₆ "	551 x 1524 x 538	14" x 55" x 8"	356 x 1397 x 203	2	72 32.7	HSA-WM-60
21 ¹ / ₁₆ " x 72" x 27 ³ / ₁₆ "	551 x 1829 x 538	14" x 67" x 8"	356 x 1702 x 203	3	81 36.7	HSA-WM-72
21 ¹ / ₁₆ " x 96" x 27 ³ / ₁₆ "	551 x 2438 x 538	14" x 91" x 8"	356 x 2311 x 203	4	102 46.3	HSA-WM-96

* Model #HSA-WM-96 features three tubular supports and two drains.