

GF Series - Hinged Glass Doors Top Mount Freezers - 83"H



Model No.	Description	Length	Depth	Height w/casters	Voltage	Amps	HP	Power Cord	Est. Ship Weight
Freezers / Frozen Food									
GF22-FF	One Door	26.50"	35.031"*	83"	115	16.0	1/2	5-20P	390
GF48-FF	Two Door	52.25"	35.031"*	83"	115/208-230	16.0	3/4	L14-20P	590
GF75-FF	Three Door	78.00"	35.031"*	83"	115/208-230	16.0	1	L14-20P	790
GF102-FF	Four Door	103.75"	35.031"*	83"	115/208-230	16.0/16.0	(2) 3/4	L14-20P(2)	1174
Freezers / Low Temp									
GF22-LT	One Door	26.50"	35.031"*	83"	115/208-230	12.0	3/4	L14-20P	390
GF48-LT	Two Door	52.25"	35.031"*	83"	115/208-230	16.0	1-1/2	L14-20P	590
GF75-LT	Three Door	78.00"	35.031"*	83"	115/208-230	16.0	1-3/4	L14-20P	790

*Handle adds 1.38" to depth

MODEL NUMBER PREFIX - SC = Self-contained R = Remote
 MODEL NUMBER SUFFIX - W = White B = Black S = Stainless Steel LED = LED - lighting
 • Cases are designed to operate at 75 degrees Fahrenheit and 55% relative humidity
 • Cases are equipped with drains; check your local building codes for connection requirements.
 • Specification subject to change without notice
 IF COLORS ARE MIXED AN ADDITIONAL CHARGE WILL APPLY



GF Series - Hinged Glass Doors Top Mount Freezers - 83"H

Standard Specifications and Optional Features

CONSTRUCTION

- UL - Classified to ANSI/NSF 7
- Heavy Duty Construction
- Foamed in place CFC free foam
- Removable front grille for easy servicing
- 1, 2, 3, or 4 door models available
- Heavy duty edge mounted hinges

INTERIOR

- White aluminum ends and rear (optional black and stainless steel)
- White aluminum floors (optional black and stainless steel)
- Aluminum evaporator fan housing
- 4 Heavy duty epoxy coated shelves per door

EXTERIOR

- White aluminum ends and front (optional black and stainless steel)
- Triple pane glass doors 23-3/4" x 62-1/4"
- Doors - chrome finish (white and stainless steel)
- Doors - black finish (black)
- 5" Casters

LIGHTING

- Vertical LED light strips - standard
- 1 Dr = 2 LED light strips = 2 Lamps
- 2 Dr = 3 LED light strips = 4 Lamps
- 3 Dr = 4 LED light strips = 6 Lamps
- 4 Dr = 5 LED light strips = 8 Lamps

OPTIONAL FEATURES

- Door swing change
- Digital thermometer
- Extra shelf with clips
- Cantilever shelves
- Door locks
- Stainless steel, laminated or paint
- 6" Legs

ELECTRICAL REQUIREMENTS

- 10' cord NEMA - plug see technical data
- UL/CUL listed
- 115V/208-230V
- 115V on GF22-V7 model

REFRIGERATION

- Top mounted condensing unit
- SC - expansion valve system
- R -R448A expansion valve system
- Electronically controlled with audio alarm
- Automatic defrost
- Remote available
- ECM Motors

Important Note:

All refrigerated cases are designed to operate in an environment of 75 degrees and 55% relative humidity. Product must be cooled before being displayed within the case

Drain Connection is required for this model.

GF Series - Hinged Glass Doors Top Mount Freezers - 83"H Technical Data/Frozen Food Freezers

Model No. FREEZER FROZEN FOOD	SC R	GF22-FF R-GF22-FF	GF48-FF R-GF48-FF	GF75-FF R-GF75-FF	GF102-FF R-GF102-FF
Length		26.50"	52.25"	78.00"	103.75"
Height w/ casters		83.00"	83.00"	83.00"	83.00"
Depth without handle		35.031"	35.031"	35.031"	35.031"
(Dimensions are +/- 1/4") Operating temperature		-5°F to 5°F	-5°F to 5°F	-5°F to 5°F	-5°F to 5°F
Refrigerant	SC				
Remote Expansion Valve	R	R448A	R448A	R448A	R448A
System type		Expansion valve	Expansion valve	Expansion valve	Expansion valve
Compressor size HP	SC	1/2	3/4	1	(2) 3/4
Refrigeration system		Electronic controlled	Electronic controlled	Electronic controlled	Electronic controlled
Defrost per day (24 hours)	Air Defrost	Electronic controlled	Electronic controlled	Electronic controlled	Electronic controlled
Defrost per day	R.	3 per day	3 per day	3 per day	3 per day
BTU's at -15°F Evap. Temp.	R	2150	3480	4620	(2) 3480
Voltage	SC	115/208-230	115/208-230	115/208-230	115/208-230
Amperage	SC	12.0	16.0	16.0	16.0/16.0
Voltage	R	115	115/208-230	115/208-230	115/208-230
Amperage, lights, fans, defrost heaters	R	10.5	9.0	11.6	8.8/9.9
Cord and plug	SC	L14-20P	L14-20P	L14-20P	(2) L14-20P
	R	NO	NO	NO	NO
Drain electric condensate plug		115V	115V	115V	115V
Exterior color		W, B, S	W, B, S	W, B, S	W, B, S
Interior color		W, B, S	W, B, S	W, B, S	W, B, S
Door size		23.75 x 62.25	23.75 x 62.25	23.75 x 62.25	23.75 x 62.25
Total shelves		4	8	12	16
Shelf size		(4) 21.125" x 22.50"	(8) 22.75" x 23.00"	(8) 22.75" x 23.00" (4) 25.00" x 23.00"	(8) 22.75" x 23.00" (8) 25.00" x 23.00"
Cubic capacity		22	48	75	102
Shipping Info					
Height		86"	86"	86"	86"
Depth		44"	44"	44"	44"
Length		31"	58"	84"	109"
Gross weight SC/R		390/360	590/550	790/750	1174/1094
Cubic feet		68	127	184	228

(ALL WHITE OR ALL BLACK, NO EXTRA CHARGE—IF COLORS ARE MIXED AN ADDITIONAL CHARGE WILL APPLY)

Prefix

SC = Self-contained
R = Remote

Suffix

B = Black
W = White
S = Stainless Steel
LED = LED - lighting

- Cases are designed to operate at 75 degrees Fahrenheit and 55% relative humidity
- Cases are equipped with drains; Drain Connection Required.
- Specification subject to change without notice
- Remotes supplied with R404A-Expansion Valve* (does not include solenoid valves)
- All refrigerant and expansion values are subject to change per SNAP (EPA) regulations.



GF Series - Hinged Glass Doors Top Mount Freezers - 83"H

Technical Data/Low Temp Freezers

Model No. FREEZER - ICE - CREAM	SC R	GF22-LT R-GF22-LT	GF48-LT R-GF48-LT	GF75-LT R-GF75-LT
Length		26.50"	52.25"	78.00"
Height w/ casters		83.00"	83.00"	83.00"
Depth without handle		35.031"	35.031"	35.031"
(Dimensions are +/- 1/4") Operating temperature		0°F to -10°F	0°F to -10°	0°F to -10°
Refrigerant	SC			
Remote Expansion Valve	R	R448A	R448A	R448A
System type		Expansion valve	Expansion valve	Expansion valve
Compressor size HP	SC	3/4	1-1/2	1-3/4
Refrigeration system		Electronic controlled	Electronic controlled	Electronic controlled
Defrost per day (24 hours)	Air Defrost	Electronic controlled	Electronic controlled	Electronic controlled
Defrost per day	R.	3 per day	3 per day	3 per day
BTU's at -35°F Evap. Temp.	R	2311	4019	6002
Voltage	SC	115/208-23	115/208-230	115/208-230
Amperage	SC	12.0	16.0	16.0
Voltage	R	115	115/208-230	115/208-230
Amperage, remote, lights, fans, defrost heaters	R	10.5	9.0	11.6
Cord and plug	SC R	L14-20P (V4) 5-20P NO	L14-20P NO	L14-20P NO
Drain electric condensate plug		115V	115V	115V
Exterior color		W, B, S	W, B, S	W, B, S
Interior color		W, B, S	W, B, S	W, B, S
Door size		23.75" x 62.25"	23.75" x 62.25"	23.75" x 62.25"
Total shelves		4	8	12
Shelf size		(4) 21.125" x 22.50"	(8) 22.75" x 23.00"	(8) 22.75" x 23.00" (4) 25.00" x 23.00"
Cubic capacity		22	48	75
Shipping Info				
Height		86"	86"	86"
Depth		44"	44"	44"
Length		31"	58"	84"
Gross weight SC/R		390/360	590/550	790/750
Cubic feet		68	127	184

(ALL WHITE OR ALL BLACK, NO EXTRA CHARGE—IF COLORS ARE MIXED AN ADDITIONAL CHARGE WILL APPLY)

Prefix

SC = Self-contained
R = Remote

Suffix

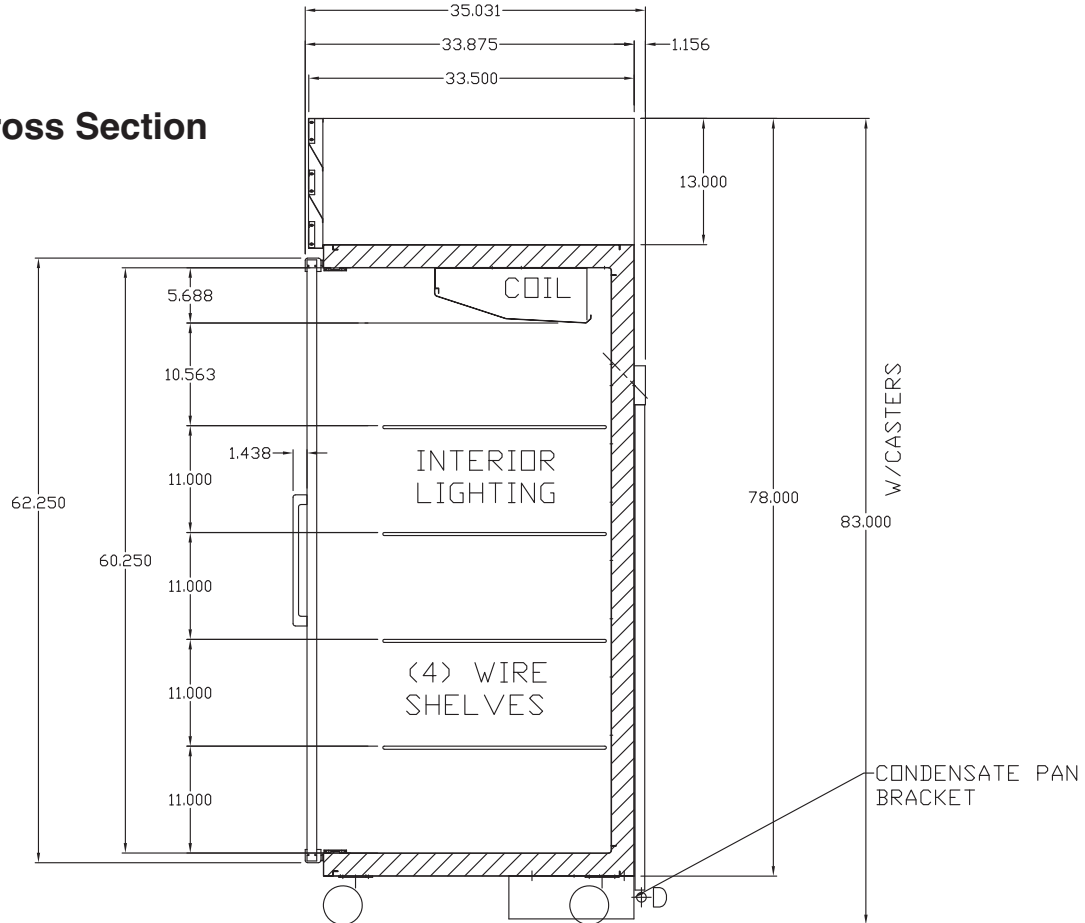
B = Black
W = White
S = Stainless Steel
LED = LED - lighting

- Cases are designed to operate at 75 degrees Fahrenheit and 55% relative humidity
- Cases are equipped with drains; check your local building codes for connection requirements.
- Specification subject to change without notice
- Remotes supplied with R404A-Expansion Valve* (does not include solenoid valves)
- All refrigerant and expansion values are subject to change per SNAP (EPA) regulations.

GF Series - Hinged Glass Doors Top Mount Freezers - 83"H

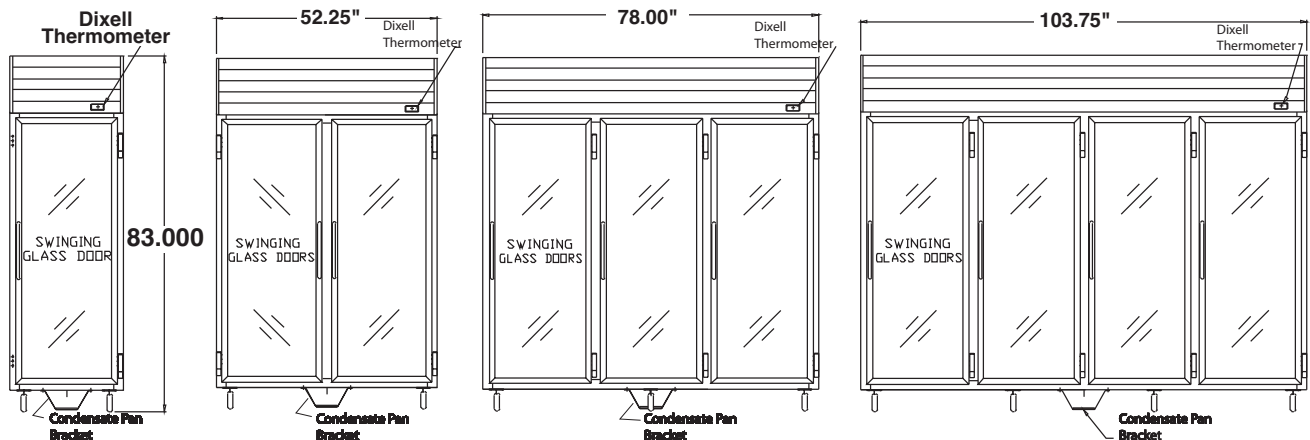
Technical Data • Side View • Front Views

Cross Section



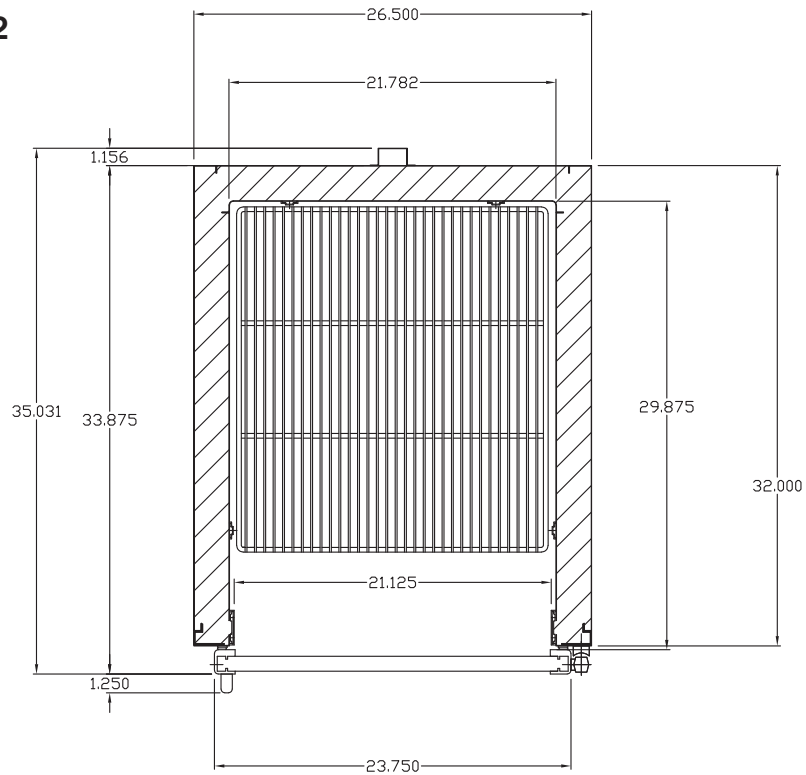
Front Views

Swinging Glass Doors

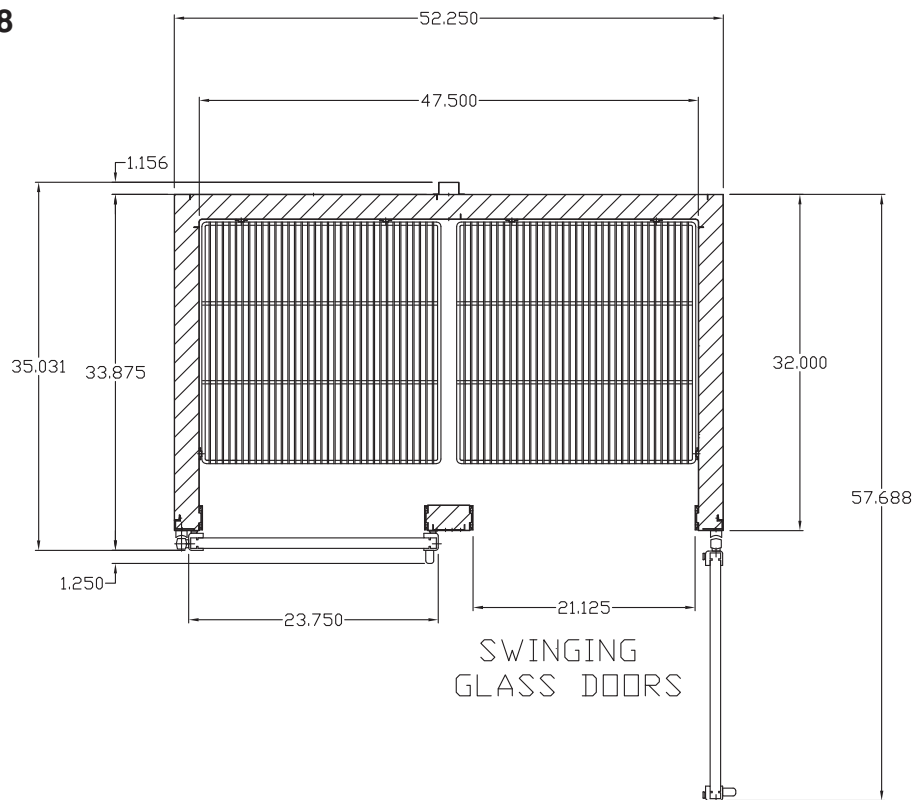


GF Series - Hinged Glass Doors Top Mount Freezers - 83"H

GF22

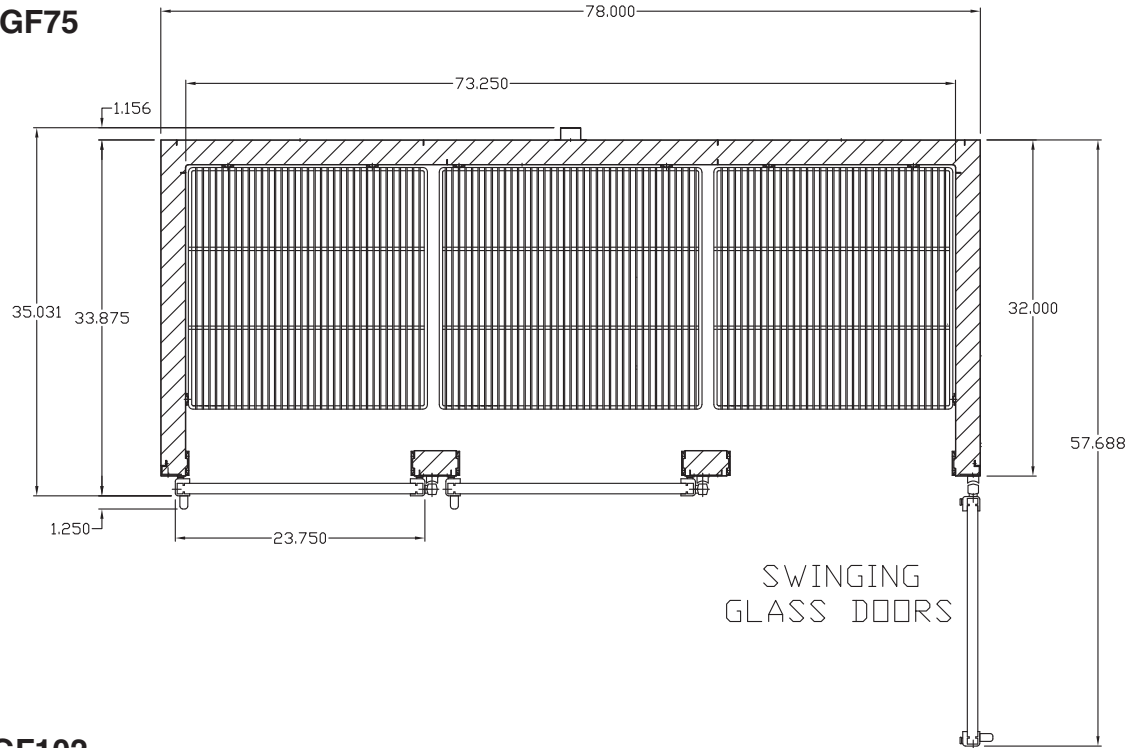


GF48



GF Series - Hinged Glass Doors Top Mount Freezers - 83"H

GF75



GF102

