



Project _____

Item # _____

Quantity _____



Heated Drawer Warmer with Top Control

Models: HDWTC-1, -2, -3

Hatco Drawer Warmers ensure optimal holding of protein products at safe temperatures, while minimizing moisture loss and texture change. Our unique blanket element design promotes uniform temperatures throughout the cavity. Each drawer features adjustable sliding vents. Touchscreen Controller controls temperature and time for each drawer individually.

Standard features

- Top-of-the-unit Touchscreen Controller is positioned at an angle for greater visibility
- Controller allows individual temperature control and hold timer per drawer with both visual and audio alerts
- Robust stainless steel construction inside and out.
- Constructed of heavy duty, 12 gauge drawer frame and slides with nylon rollers
- Easy-to-clean seamless, interior core
- Snap out side panels make this unit easy to clean and service
- Each drawer has adjustable vents for varying moisture levels in individual drawers
- Drawer frame can accommodate varying pan configurations, including 1/1 GN, 1/3 GN, 1/3 GN up to 6" (152 mm) deep, with or without lids.
- Pans lift straight up; eliminating the need to tilt pan for removal
- USB port for easy software updates
- Unit comes standard with adjustable plastic legs 4"- 5.375" (102-137 mm)
- Includes 6' (1829 mm) cord located on the upper back corner
- CE versions come with anti-tip bracket and hardware



HDWTC-2 shown with Accessory 2" (64 mm) casters, 4" (102 mm) legs are standard

Options (available at time of purchase only)

Pan options

- 6" (152 mm) deep pan - 20" x 12" x 6" (508 x 305 x 152 mm)
- Oversize pan, 20" x 15" x 5" (508 x 381 x 127 mm)
- No pan

Accessories

- Custom trivet raises food product .5" (13 mm) off bottom of full size pan 17.5" x 9.5" x .5" (445 x 242 x 13 mm)

Legs and Casters

- 6" (152 mm) Stainless Steel adjustable Legs adds 6"- 7.5" (152-191 mm) to height
- 6" (152 mm) plastic legs adds 6" (152 mm) to height
- 2" (51 mm) diameter Locking Casters - all swivel, 2 lock - adds 2.5" (64 mm) to height
- 3" (76 mm) diameter locking casters - adds 4.25" (108 mm) to height
- 4" (102 mm) diameter locking casters - adds 5.25" (133 mm) to height
- 5" (127 mm) diameter locking casters - adds 6.25" (159 mm) to height

- Stainless Steel Food Pans



For operation, location and safety information, please refer to the Installation and Operating Manual.



HATCO CORPORATION | P.O. Box 340500 Milwaukee, WI 53234-0500 U.S.A. | (800) 558-0607 | (414) 671-6350



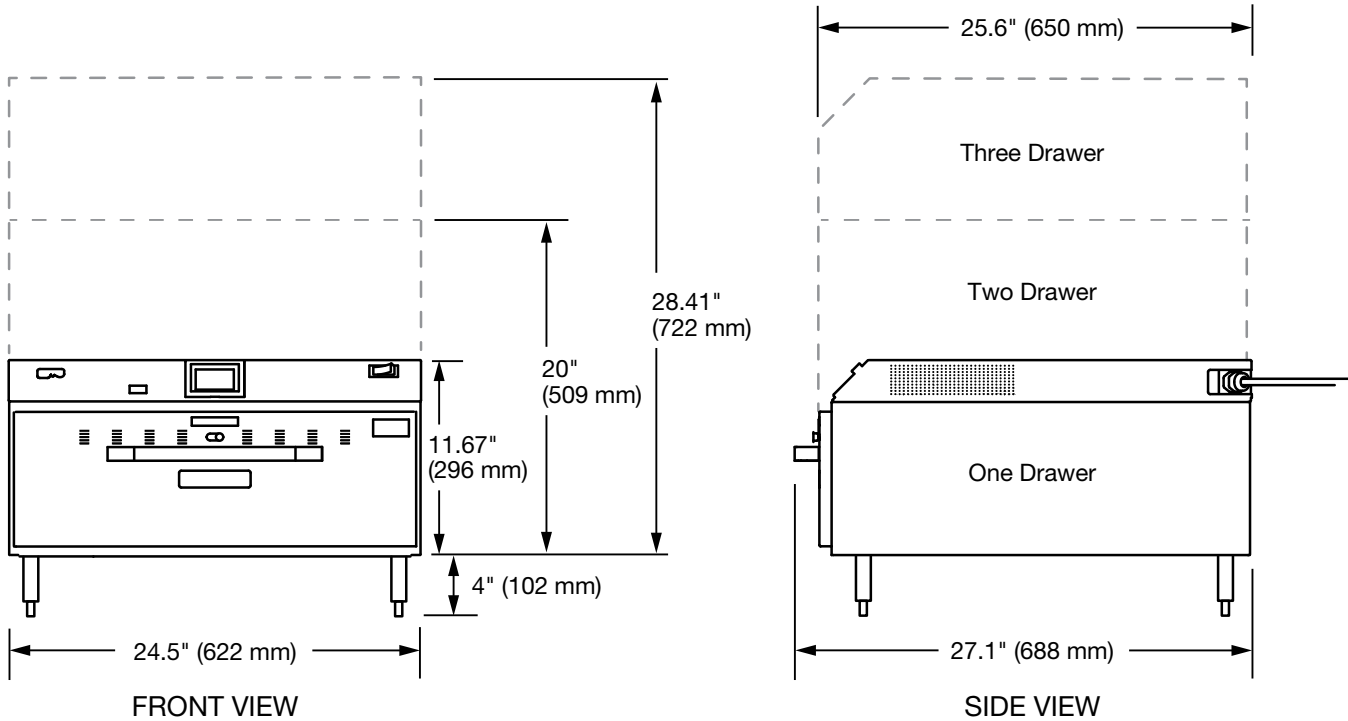
www.hatcocorp.com | support@hatcocorp.com | [Find a Hatco Rep](#) | [Image Library](#) | [Document Library](#) | [Chat](#)



Heated Drawer Warmer with Top Control

Models: HDWTC-1, -2, -3

HDWTC



SPECIFICATIONS Heated Drawer Warmers with Top Control

The shaded areas contain electrical information for International models

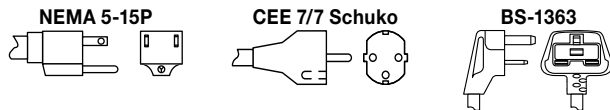
Models	Dimensions* (W x D x H)	Volts	Watts	Amps	Plugs	Shipping Weight
HDWTC-1	24.5" x 25.6" x 15.67" (622 x 650 x 398 mm)	120	353	2.9	NEMA 5-15P	120 lbs (55 kg)
		220/230/240	323/353/384	1.5 / 1.5 / 1.6	BS-1363, CEE 7/7	
HDWTC-2	24.5" x 25.6" x 24" (622 x 650 x 611 mm)	120	704	5.9	NEMA 5-15P	178 lbs (81 kg)
		220/230/240	645/704/766	2.9 / 3.1 / 3.2	BS-1363, CEE 7/7	
HDWTC-3	24.5" x 25.6" x 32.41" (622 x 650 x 824 mm)	120	1055	8.8	NEMA 5-15P	217 lbs (99 kg)
		220/230/240	966/1055/1048	4.4 / 4.6 / 4.8	BS-1363, CEE 7/7	

* Height includes standard 4" (102 mm) plastic legs, add 1½" (38 mm) to depth for door handles.

CORD LOCATION

Top, back-left side, recessed to protect plug.

PLUG CONFIGURATIONS



PRODUCT SPECS Heated Drawer Warmers Top Control

The Drawer Warmers shall be a Hatco model ... , Top Control as manufactured by the Hatco Corporation, Milwaukee, WI 53234, U.S.A. The unit shall have ... drawer(s) and be rated at ... watts, ... amps. Top Control model shall be equipped with a cord. The Drawer Warmer shall have a stainless steel exterior, interior, drawer slides, and assembly. Drawer rollers shall be durable nylon. The drawer assembly shall fully extend to allow removal of pans without tilting models. The unit shall be individually insulated top, bottom and sides of cabinet. Each unit

shall have an angled, top of the unit Touch Screen control that allows individual temperature control and hold timer per drawer with both visual and audio alerts, adjustable vents for varying moisture levels in individual drawers, a USB port, 4" (102 mm) adjustable legs and heavy duty 12 gauge drawer frame. Side panels shall snap out for cleaning. Options include an oversized pan, a 6" deep pan and no pan. Accessories include custom trivet, stainless steel pans and various legs and casters.

Warranty consists of 24/7 parts and service assistance (U.S. and Canada only).

HATCO CORPORATION | P.O. Box 340500 Milwaukee, WI 53234-0500 U.S.A. | (800) 558-0607 | (414) 671-6350

www.hatcocorp.com | support@hatcocorp.com | [Find a Hatco Rep](#) | [Image Library](#) | [Document Library](#) | [Chat](#)