



Project _____

Item # _____

Quantity _____

Drop-In Round Insulated Heated Wells

Models:

- HWBI-4QT, -4QTD, -7QT, -7QTD, -7QTDA, -11QT, -11QTD, -11QTDA
- HWBHI-7QT, -7QTD, -7QTDA, -11QT, -11QTD, -11QTDA

Hatco Drop-In Round Insulated Heated Wells provide flexibility and quality, with many options to choose from. These units hold steam table food hot and fresh with self-adjusting thermostats that monitor the actual temperatures and control the heat only when needed.

Standard features

- Available in insulated 4-, 7- and 11-quart (4-, 7- and 10-liter) round wells
- Standard or high watt (4-quart [4-liter] standard watt only)
- Controls feature a separate lighted ON/OFF rocker switch and temperature dial, allowing preset temperatures to be maintained
- Easy service access to heating elements and thermostats
- Mounting kits for combustible countertops available
- Auto-Fill models available only in 7- and 11-quart round wells
- Wells are designed for both WET or DRY operation



Options (available at time of purchase only)

- Additional High Temp Power Supply Lead Wire available in one foot (305 mm) increments (Lead wire only – the lead wire extensions beyond the standard 3' conduit whip) (Models are shipped standard with 1' [305 mm] of lead wire extensions)
- Thermostat with 6' (1829 mm) Capillary (Models are shipped with standard 36" [914 mm] conduit length)
- Flexible Conduit between the control and the Round Heated Well
 - Standard Flexible Conduit, 36" (914 mm)
 - Flexible Conduit, 72" (1829 mm)
- HWBI-4, -7, -11QT with Optional Cord (120V only, in lieu of conduit and lead wire)
- Control Box Assmly (Not for Auto-Fill)
 - Compact with Bezel (Standard Control [Not for export voltages])
 - Larger Recessed Thermostatic (Standard for export voltages or 4-Quart [4-Liter] Round Wells)
- Control Box Bezel (Designer Colors – Nonstandard colors are non-returnable, Stainless Steel is standard)
 - Warm Red Black Gray Granite White Granite
 - Navy Blue Hunter Green Antique Copper

Accessories

- Mounting Kit for Combustible Countertops (All Models)
- Kit allows Mounting to Thick Countertops - 4 Brackets
- Round Food Pans
 - 4-Quart (4-Liter) 7-Quart (7-Liter) 11-Quart (10-Liter)
- Notched Lids
 - 4-Quart (4-Liter) 7-Quart (7-Liter) 11-Quart (10-Liter)
- Hinged Lids
 - 4-Quart (4-Liter) 7-Quart (7-Liter) 11-Quart (10-Liter)
- Units with Drains
 - ¼" NPT Ball ¼" Gate Valve



IFS anti-microbial coatings use naturally-occurring, environmentally sustainable, silver ions to help inhibit the growth of microbes on the powder coated surface. See www.hatcocorp.com/antimicrobial-paint for more information.



HATCO CORPORATION | P.O. Box 340500 Milwaukee, WI 53234-0500 U.S.A. | (800) 558-0607 | (414) 671-6350

www.hatcocorp.com | support@hatcocorp.com | [Find a Hatco Rep](#) | [Image Library](#) | [Document Library](#) | [Chat](#)



Drop-In Round Insulated Heated Wells

Models: HWBI-4QT, -4QTD, -7QT, -7QTD, -7QTDA, -11QT, -11QTD, -11QTDA
HWBHI-7QT, -7QTD, -7QTDA, -11QT, -11QTD, -11QTDA

Ordering Instructions

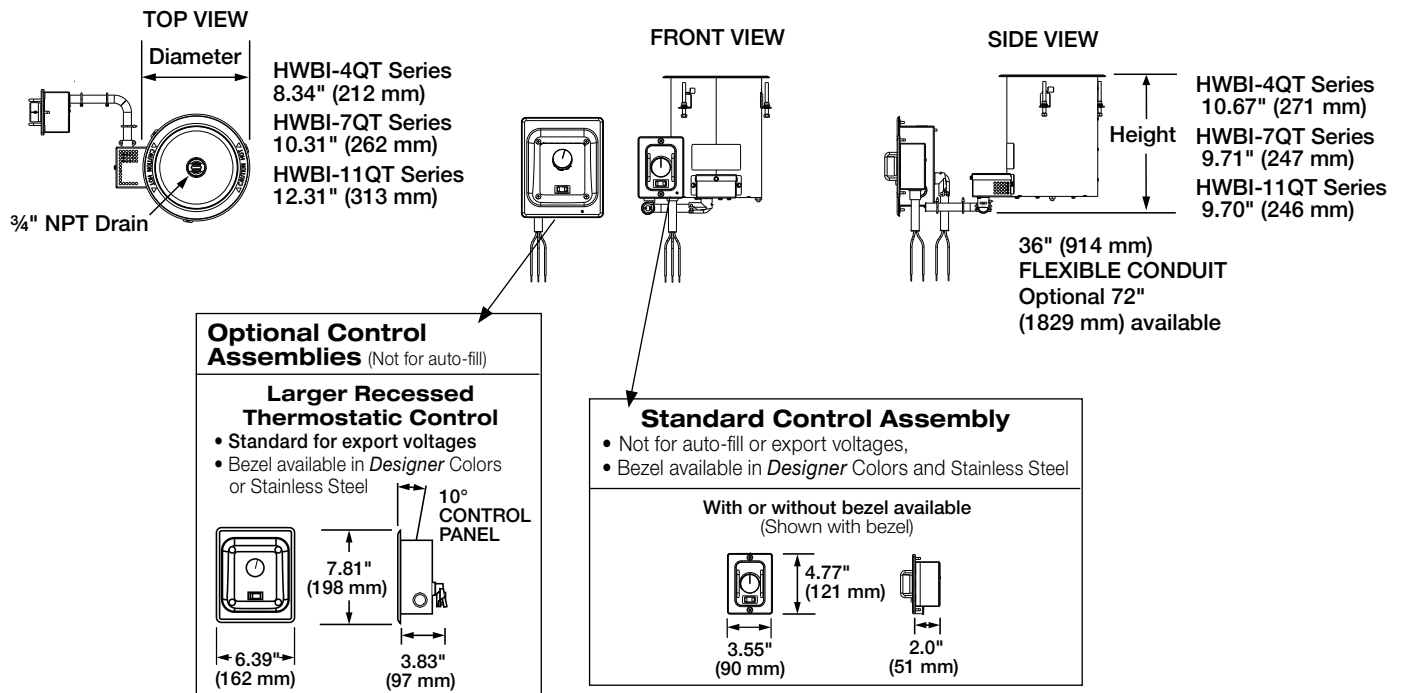
(Please specify the following with each order)

- Desired Voltage:** See chart on page 3 or 4
- Base Size of Heated Well:**
 - Round: 4-Quart (4-Liter), 7-Quart (7-Liter) or 11-Quart (10-Liter)
- Choose With or Without Drain**
- Choose With or Without Auto-Fill** (Auto-Fill not available in 4-Quart [4-Liter])

- Mounting Style** (Top Mounted)
 - Non-Combustible Countertop
 - Combustible Countertop requires accessory Mounting Kit
- Wattage:**
 - High Watt
 - Standard Watt (4-Quart [4-Liter] available in standard watt only)
- Agency:**
 - UL and CUL
 - UL-EPH (sanitary listing)
 - CE Mark available on standard and high watt units

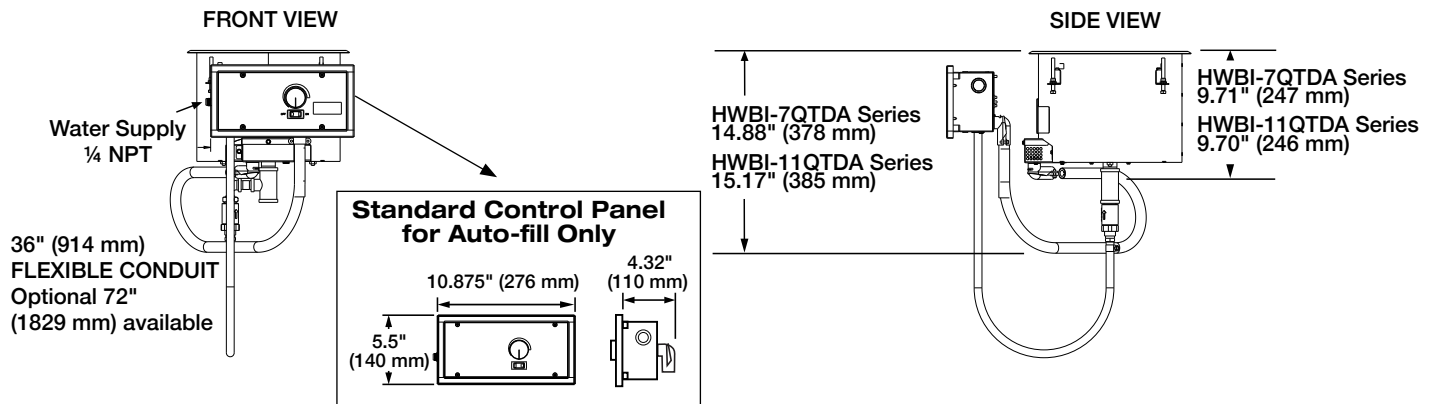
Models HWBI-4QT, -7QT, -11QT Series

(HWBI-4QT shown) Insulated, with Standard and Optional Controls



Models HWBI-7QTDA, -11QTDA Series

(HWBI-11QTDA shown) Insulated, with Standard Auto-fill Controls



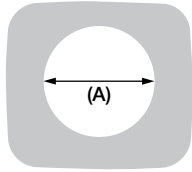
HATCO CORPORATION | P.O. Box 340500 Milwaukee, WI 53234-0500 U.S.A. | (800) 558-0607 | (414) 671-6350

www.hatcocorp.com | support@hatcocorp.com | [Find a Hatco Rep](#) | [Image Library](#) | [Document Library](#) | [Chat](#)

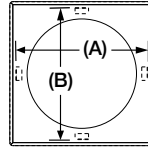


Drop-In Round Insulated Heated Wells

Models: HWBI-4QT, -4QTD, -7QT, -7QTD, -7QTDA, -11QT, -11QTD, -11QTDA
 HWBHI-7QT, -7QTD, -7QTDA, -11QT, -11QTD, -11QTDA



Non-Combustible
Countertop
Opening
("Circular" cut-out)



Combustible
Countertop
Opening
("Square" cut-out)

Cutout Dimensions for Non-Combustible Countertop

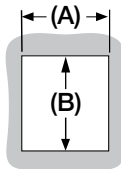
Model	Minimum Diameter (A)	Maximum Diameter (A)
HWB-4QT	Ø 7.38" (188 mm)	Ø 7.56" (192 mm)
HWB-7QT	Ø 9.38" (239 mm)	Ø 9.56" (242 mm)
HWB-11QT	Ø 11.38" (289 mm)	Ø 11.56" (293 mm)

Cutout Dimensions for Combustible Countertops ▲

Model	Minimum Width (A)	Maximum Width (A)	Minimum Depth (B)	Maximum Depth (B)
HWB-4QT	9" (229 mm)	9.25" (235 mm)	9" (229 mm)	9.25" (235 mm)
HWB-7QT	11" (279 mm)	11.25" (286 mm)	11" (279 mm)	11.25" (286 mm)
HWB-11QT	13" (330 mm)	13.25" (337 mm)	13" (330 mm)	13.25" (337 mm)

▲ Accessory Mounting Kit required

Control Box Opening



Cutout Dimensions for Control Boxes

Control Box	Width (A)	Height (B)	Export Voltage
Standard Thermostatic without bezel	2.16" (55 mm)	3.375" (86 mm)	Not available
Standard Thermostatic with bezel	3.25" (83 mm)	3.75" (95 mm)	Not available
Optional Larger Recessed Thermostatic	5.875" (149 mm)	6.375" (162 mm)	Standard
Auto-Fill	10.125" (257 mm)	4.75" (121 mm)	Standard

SPECIFICATIONS

Drop-In Round Insulated Heated Wells

■ The shaded areas contain electrical information for International models only

	Model	Dimensions (Diameter x Height)	Volts	Phase	Watts	Amps	Plug	Control Configuration		Ship Weight*	
								Standard	Optional		
Standard Watt	HWBI-4QT HWBI-4QTD*	8.34" x 10.67" (212 x 271 mm)	120	Single	500	4.2	NEMA 5-15P	Compact Thermostatic	Larger Recessed Thermostatic	12 lbs. (5.4 kg)	
			208 240		536 600	2.6 2.5	Not Available				
			220-230 (CE) 220 230-240 (CE) 240		600	2.7 2.5	Not Available	Larger Recessed Thermostatic	Not Available		
	HWBI-7QT HWBI-7QTD*	10.31" x 9.71" (262 x 247 mm)	120		500	4.2	NEMA 5-15P	Compact Thermostatic	Larger Recessed Thermostatic		15 lbs. (6.8 kg)
			208 240		536 600	2.6 2.5	Not Available				
			220-230 (CE) 220 230-240 (CE) 240		600	2.7 2.5	Not Available	Larger Recessed Thermostatic	Not Available		
	HWBI-7QTDA*	10.31" x 9.71" (262 x 247 mm)	120		515	4.3	NEMA 5-15P	Auto-fill	Not Available	16 lbs. (7.26 kg)	
			208 240		551 615	2.6 2.6	Not Available				
			220-230 (CE) 220 230-240 (CE) 240		615	2.8 2.6	Not Available	Auto-fill	Not Available		
	HWBI-11QT HWBI-11QTD*	12.31" x 9.70" (313 x 246 mm)	120		500	4.2	NEMA 5-15P	Compact Thermostatic	Larger Recessed Thermostatic		16 lbs. (7.26 kg)
			208 240		536 600	2.6 2.5	Not Available				
			220-230 (CE) 220 230-240 (CE) 240		600	2.7 2.5	Not Available	Larger Recessed Thermostatic	Not Available		
HWBI-11QTDA*	12.31" x 9.70" (313 x 246 mm)	120	515	4.3	NEMA 5-15P	Auto-fill	Not Available	16 lbs. (7.26 kg)			
		208 240	551 615	2.6 2.6	Not Available						
		220-230 (CE) 220 230-240 (CE) 240	615	2.8 2.6	Not Available	Auto-fill	Not Available				

*D" added to model number indicates drain equipped. * Shipping weight includes packaging.

HATCO CORPORATION

P.O. Box 340500 Milwaukee, WI 53234-0500 U.S.A. | (800) 558-0607 | (414) 671-6350



www.hatcocorp.com

support@hatcocorp.com

[Find a Hatco Rep](#)

[Image Library](#)

[Document Library](#)

[Chat](#)



Drop-In Round Insulated Heated Wells

Models: HWBI-4QT, -4QTD, -7QT, -7QTD, -7QTDA, -11QT, -11QTD, -11QTDA
 HWBHI-7QT, -7QTD, -7QTDA, -11QT, -11QTD, -11QTDA

SPECIFICATIONS

Drop-In Round Insulated Heated Wells

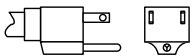
The shaded areas contain electrical information for International models only

	Model	Dimensions (Diameter x Height)	Volts	Phase	Watts	Amps	Plug	Control Configuration		Ship Weight*
								Standard	Optional	
High Watt	HWBHI-7QT HWBHI-7QTD*	10.31" x 9.71" (262 x 247 mm)	120	Single	800	6.7	NEMA 5-15P	Compact Thermostatic	Larger Recessed Thermostatic	15 lbs. (6.8 kg)
			120		800	6.7	Not Available			
			208		715	3.4				
			240		800	3.3				
			220-230 (CE)		800	3.6	Not Available	Larger Recessed Thermostatic	Not Available	
			200			3.3				
	230-240 (CE)	240								
	HWBHI-7QTDA*	10.31" x 9.71" (262 x 247 mm)	120	Single	815	6.8	NEMA 5-15P	Auto-fill	Not Available	15 lbs. (6.8 kg)
			120		815	6.8	Not Available			
			208		730	3.5				
			240		815	3.4				
			220-230 (CE)		815	3.7	Not Available	Auto-fill	Not Available	
200			3.4							
230-240 (CE)	240									
HWBHI-11QT HWBHI-11QTD*	12.31" x 9.70" (313 x 246 mm)	120	Single	800	6.7	NEMA 5-15P	Compact Thermostatic	Larger Recessed Thermostatic	16 lbs. (9 kg) 21 lbs. (9.5 kg)	
		208		715	3.4	Not Available				
		240		800	3.3					
		220-230 (CE)		800	3.6	Not Available	Larger Recessed Thermostatic	Not Available		
		200			3.3					
		230-240 (CE)		240						
HWBHI-11QTDA*	12.31" x 9.70" (313 x 246 mm)	120	Single	815	6.8	NEMA 5-15P	Auto-fill	Not Available	23 lbs. (10.43 kg)	
		208		730	3.5	Not Available				
		240		815	3.4					
		220-230 (CE)		815	3.7	Not Available	Auto-fill	Not Available		
		200			3.4					
		230-240 (CE)		240						

*"D" added to model number indicates drain equipped. * Shipping weight includes packaging.

PLUG CONFIGURATIONS (Optional)

NEMA 5-15P



PRODUCT SPECS

Drop-In Round Insulated Heated Wells

The Drop-in Round Insulated Heated Well with or without cord and plug shall be a Model ...as manufactured by the Hatco Corporation, Milwaukee, WI 53234 U.S.A.

The Drop-in Heated Well shall be rated at ...watts, ...volts, and be ...inches (millimeters) in overall width and be ...inches (millimeters) in overall depth.

It shall consist of stainless and aluminized steel housing with a metal sheathed heating element and a remote thermostat with lighted power switch.

Accessories may include stainless steel mounting kit and valves.

Warranty consists of 24/7 parts and service assistance (U.S. and Canada only).

HATCO CORPORATION | P.O. Box 340500 Milwaukee, WI 53234-0500 U.S.A. | (800) 558-0607 | (414) 671-6350



www.hatcocorp.com

support@hatcocorp.com

[Find a Hatco Rep](#)

[Image Library](#)

[Document Library](#)

[Chat](#)