



Project \_\_\_\_\_

Item # \_\_\_\_\_

Quantity \_\_\_\_\_

# Remote Drop-In Hot/Cold Wells

Models: HCWBIR-2DA, -3DA, -4DA, -5DA, -6DA  
HCWBIX-2DA, -3DA, -4DA, -5DA, -6DA

Whether it is breakfast in the morning or a salad bar at lunch, this well incorporates the legendary quality of both the hot and cold units into one, but in a remote configuration that offers unlimited flexibility for your own particular dining design needs.

## Standard features

- Hot/Cold Combination Drop-In Well can house a variety of pans, full-size, half-size or third-size and are available in a two through six pan configuration
- Easy to read and use electronic control assembly
- Cold Mode: Similar to Hatco's CWB Cold Well, including auto-defrost, easy serviceability, optimal insulation and efficient condenser. Includes cold mode pan supports
- Hot Mode: Utilizes the same time-tested FR2 Hydro-Heater (Bain Marie) with "free flow" technology for an efficient and safe operation with a longer life, and includes drain, auto-fill and hot mode frame for pan support
- Adjustable set points to keep your particular food items at optimum temperatures
- Remote control box can be field mounted to front counter for easy access (any vertical surface within approximately 5' (1524 mm))
- Matches the Hatco line of Refrigerated and Heated Wells for a fully integrated look
- Allow approximately 60 minutes or more for transition between operating modes of the Drop-In Hot/Cold Well

### • HCWBIR-xx models only:

- Condenser utilizes R-513A refrigerant
- Includes a condensing unit (shipped loose - can be field mounted up to 50' [15.24 meters] of tubing from unit), FR2 Hydro-Heater, control panel and TXV valve (TXV is shipped loose)

### • HCWBIX-xx models only:

- Includes control panel and FR2 Hydro-Heater but without a condensing unit for the increased flexibility of multiple hot/cold well configurations
- Solenoid valve attached to cold well with a TXV valve (TXV is shipped loose)

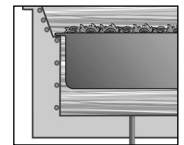
**HCWBIR-2DA**  
with condensing unit (shipped loose),  
FR2 Hydro-Heater and control panel

*Hot Mode: HCWBIR-2DA shown with accessory food pans and hot mode pan supports (included), which are designed specifically for easier and safer handling of foods.*



**HCWBIX-2DA**  
with FR2 Hydro-Heater and control panel only

*Cold Mode: HCWBIX-2DA shown with accessory food pans and cold pan support bars. Unique angled inside wall design provides easy access and clear views, while allowing cold air to effectively blanket your food product.*



*"COLD - OFF - HOT" three position rocker switch, with digital read-outs for either the hot or cold mode.*

## Options (available at time of purchase only)

- Additional Four-Year Parts Only Warranty on the Compressor (HCWBIR only) at Time of Unit Purchase (Not available for export voltages)
- Three-Phase Wiring
- Gasket (Factory installed and eliminates the need for silicone or other sealants)

## Accessories

- FR2: Flush Hose, Cleaning Brush, Stopper and Adapter
- 12" (305 mm) Pan Support for Drop-In Refrigerated Wells
- 20" (508 mm) Pan Support for Drop-In Refrigerated Wells

Rectangular Full-Size Stainless Steel Food Pans:

- Third-Size (2.5" [64 mm] H)
- Full-Size (2.5" [64 mm] H)
- Full-Size (6" [152 mm] H)
- Half-Size (2.5" [64 mm] H)
- Full-Size (4" [101 mm] H)



For operation, location and safety information, please refer to the Installation and Operating Manual.



**HATCO CORPORATION** | P.O. Box 340500 Milwaukee, WI 53234-0500 U.S.A. | (800) 558-0607 | (414) 671-6350



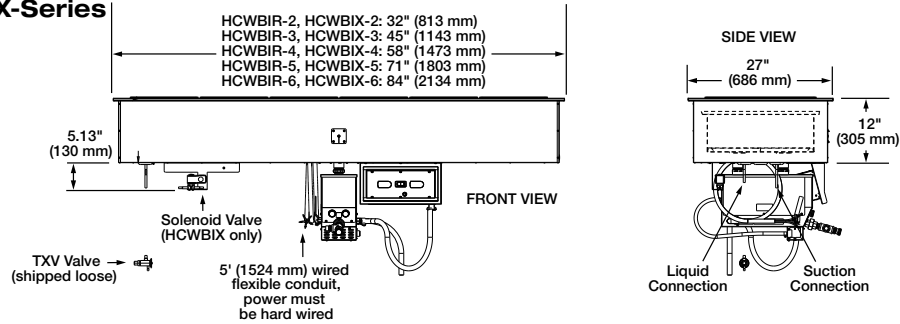
[www.hatcocorp.com](http://www.hatcocorp.com) | [support@hatcocorp.com](mailto:support@hatcocorp.com) | [Find a Hatco Rep](#) | [Image Library](#) | [Document Library](#) | [Chat](#)



# Remote Drop-In Hot/Cold Wells

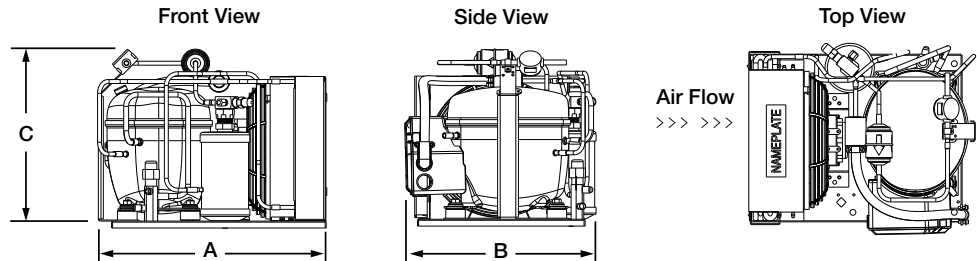
Models: HCWBIR-2DA, -3DA, -4DA, -5DA, -6DA, HCWBIX-2DA, -3DA, -4DA, -5DA, -6DA

## All HCWBIR-, HCWBIX-Series



### Model HCWBIR only, Condensing Unit

May be field mounted up to 50' (15.24 meters) from unit



## Condenser Dimensions for Remote Drop-In Hot/Cold Wells

Model	Compressor	Length (A)	Width (B)	Height (C)
HCWBIR-2DA	1/5	14.62" (371 mm)	12.27" (312 mm)	11.37" (289 mm)
HCWBIR-3DA				
HCWBIR-4DA	1/3			

Model	Compressor	Length (A)	Width (B)	Height (C)
HCWBIR-5DA	5/8	17.45" (444 mm)	16.35" (415 mm)	12.52" (318 mm)
HCWBIR-6DA				

## R-513A REFRIGERANT OPERATING SPECIFICATIONS IN 75°F (24°C) AMBIENT

(Refer to the Installation section in the Installation and Operating Manual on the Hatco website)

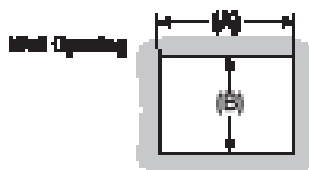
- Suction Pressure: 6-9 PSIG (0.4-0.6 Bar)
- Discharge Pressure : 115-125 PSIG (7.9-8.6 Bar)
- Superheat: 4-10° F (2.2-5.6° C)
- Subcooling: 5-10° F (2.8-5.6° C)

## RECOMMENDED FACTORY FILL RATES for R-513A REFRIGERANT

(HCWBIR Condensers are shipped without refrigerants)

Model	Fill Weight
HCWBIR-2DA	2 lb. 1 oz. (0.936 kg)
HCWBIR-3DA	
HCWBIR-4DA	1 lb. 15 oz. (0.879 kg)
HCWBIR-5DA	2 lb. 13 oz. (1.276 kg)
HCWBIR-6DA	

## Cutout Dimensions for Remote Drop-In Hot/Cold Wells



Model	Minimum Width (A)	Maximum Width (A)	Minimum Depth (B)	Maximum Depth (B)
HCWBIR-, HCWBIX-2DA	30.125" (765 mm)	31" (787 mm)	25.19" (640 mm)	26" (660 mm)
HCWBIR-, HCWBIX-3DA	43.125" (1095 mm)	44" (1118 mm)		
HCWBIR-, HCWBIX-4DA	56.125" (1426 mm)	57" (1448 mm)		
HCWBIR-, HCWBIX-5DA	69.125" (1756 mm)	70" (1778 mm)		
HCWBIR-, HCWBIX-6DA	82.125" (2086 mm)	83" (2108 mm)		

HATCO CORPORATION | P.O. Box 340500 Milwaukee, WI 53234-0500 U.S.A. | (800) 558-0607 | (414) 671-6350

[www.hatcocorp.com](http://www.hatcocorp.com) | [support@hatcocorp.com](mailto:support@hatcocorp.com) | [Find a Hatco Rep](#) | [Image Library](#) | [Document Library](#) | [Chat](#)



# Remote Drop-In Hot/Cold Wells

Models: HCWBIR-2DA, -3DA, -4DA, -5DA, -6DA, HCWBIX-2DA, -3DA, -4DA, -5DA, -6DA

## SPECIFICATIONS

### Drop-In Full-Size Models - with Condensing Unit and Remote Control Panel

Model†	Dimensions (Width x Depth x Height) (12" [305 mm] Well Height)	Voltage	HP Compressor Size	Watts	Amps		Ship Weight
					1 Phase	3 Phase	
HCWBIR-2DA	32" x 27" x 26.54" (813 x 686 x 674 mm)	120/208	1/5	3000	14.5	8.4	214 lbs. (97 kg)
		120/240			—	7.3	
HCWBIR-3DA	45" x 27" x 26.54" (1143 x 686 x 674 mm)	120/208	1/5	3000	14.5	8.4	237 lbs. (108 kg)
		120/240			—	7.3	
HCWBIR-4DA	58" x 27" x 26.54" (1473 x 686 x 674 mm)	120/208	1/3	4000	19.2	11.2	285 lbs. (129 kg)
		120/240			16.7	9.6	
HCWBIR-5DA	71" x 27" x 26.54" (1803 x 686 x 674 mm)	120/208	5/8	6000	28.8	16.7	343 lbs. (156 kg)
		120/240			—	14.5	
HCWBIR-6DA	84" x 27" x 26.54" (2134 x 686 x 674 mm)	120/208	5/8	6000	28.8	16.7	370 lbs. (168 kg)
		120/240			—	14.5	

†Models shipped with electronic temperature control and a condensing unit (all shipped loose) with a filter-drier and TXV valve.

## SPECIFICATIONS

### Drop-In Full-Size Models - with Remote Control Panel (without a Condensing Unit)

Model†	Dimensions (Width x Depth x Overall Height)	Volts	Load/BTU/Hour	Ship Weight
HCWBIX-2DA	32" x 27" x 26.54" (813 x 686 x 674 mm)	120/208	630	165 lbs. (75 kg)
		120/240		
HCWBIX-3DA	45" x 27" x 26.54" (1143 x 686 x 674 mm)	120/208	930	188 lbs. (85 kg)
		120/240		
HCWBIX-4DA	58" x 27" x 26.54" (1473 x 686 x 674 mm)	120/208	1230	235 lbs. (107 kg)
		120/240		
HCWBIX-5DA	71" x 27" x 26.54" (1803 x 686 x 674 mm)	120/208	1530	268 lbs. (122 kg)
		120/240		
HCWBIX-6DA	84" x 27" x 26.54" (2134 x 686 x 674 mm)	120/208	1830	295 lbs. (134 kg)
		120/240		

†Models shipped with electronic temperature control, TXV (all shipped loose) and a solenoid valve attached to well.

## PRODUCT SPECS

### Remote Drop-In Hot/Cold Wells

The Remote Drop-In Hot/Cold Well shall be a Model ....as manufactured by the Hatco Corporation, Milwaukee, WI 53234 U.S.A.

The Remote Drop-In Hot/Cold Heated Well shall be rated at ....watts, ....volts, and be ....inches (millimeters) in overall width and be ....inches (millimeters) in overall depth. It shall utilize R-513A refrigerant and consist of stainless and aluminized steel housing with electronic control panel (digital temperature display, drain, auto-fill, power light, and 3-position rocker switch (Hot, Off, and Cold), and pan support bars for full-size pans in cold and hot modes. They shall be with or without a condensing unit (compressor, sight glass, service valves, receiver, and filter-drier)

COLD MODE: A condensing unit utilizing R-513A refrigerant, sight glass, service valves, receiver, and a filter-drier. The digital temperature display for the Cold mode will

have a set point of 32°F (0°C) and can be adjusted from 10° to 50°F (-12° to 10°C).  
HOT MODE: The patented Hatco FR2 (Bain-Marie) shall consist of 1 to 3 stainless steel tubes wrapped with external heating elements. Each tube may be accessed for cleaning purposes. The unit may be emptied easily by a convenient drain and have a low-water cut-off. The digital temperature display for the Hot mode will have a set point of 192°F (89°C) and can be adjusted from 65° to 192°F (18° to 89°C).

Warranty consists of 24/7 parts and service assistance (U.S. and Canada only)

**HATCO CORPORATION** | P.O. Box 340500 Milwaukee, WI 53234-0500 U.S.A. | (800) 558-0607 | (414) 671-6350



[www.hatcocorp.com](http://www.hatcocorp.com) | [support@hatcocorp.com](mailto:support@hatcocorp.com) | [Find a Hatco Rep](#) | [Image Library](#) | [Document Library](#) | [Chat](#)