

DT-20-SSR

NOTE: Faucet handles not included.



Optional Rinser Faucet Extension -RFE

Project: _____	AIA# _____
Item #: _____ Qty: _____	SIS# _____
Model #: _____	

## Double-Sided Towers

DT- -

**Size:**  
Specify the number of faucets from 16, 20, 24, 32, 36, 40

**Stainless steel finished as:**  
SS = Grainline  
MF = Mirror  
PB = Brass

### Standard Features

- All stainless steel construction
- Surface mount drain pans with lift-out perforated inserts
- 1/4" shanks with 3/16" restriction lines
- Available in grainline finish, mirror finish, or brass finish\* (\*Note: Brass finish towers provided with mirror finish drain pan and brass finish perforated insert)
- Insulated cold plate assembly for recirculating system
- Eco friendly foamed-in-place insulated column for extra rigidity. Eco friendly foamed-in-place insulation has zero impact on global warming or ozone depletion
- All models include all stainless steel faucets and shanks
- Available with rinser faucet extension to the left or right of the drain pan. Specify RFE accessory

To view cleaning and care instructions, please visit: [https://www.glastender.com/PDF/F-423-011\\_ss\\_clean\\_care.pdf](https://www.glastender.com/PDF/F-423-011_ss_clean_care.pdf)

### Specifications

#### Drains

- Drain pan models - 1/2" tailpiece

#### Materials

- 20 gauge stainless steel parts include: head, column, drain pan, and perforated inserts
- 16 gauge galvanized steel parts include: interior foamed box.
- 11 gauge stainless steel parts include: inner column base and top plate and tower head mounting plate

#### Shank Sizes

- 1/4" I.D. with 3/16" fittings

#### Rinser Faucet (optional)

- Accepts 3/8" cold water lead
- 30 psi water pressure regulator included

**NOTE: Rinser faucets are not intended for use with towers mounted to a refrigerator due to risk of water line freeze up.**

### Rinser Faucet Installation Notes

- Important: Unit must be installed in conformance with applicable federal, state, and local plumbing codes, including adequate backflow when required.
- Must install backflow prevention device conforming to ANSI/ASSE 1022 or ANSI/ASSE 1024 to meet plumbing code (not included).
- Install in-line water regulator (included).
- A separate shut-off valve is recommended (not included).

03012383  
Rinser Faucet Assembly



**Intertek**

4004503  
Conforms to NSF/ANSI STD 372

Glastender, Inc. • 5400 North Michigan Road • Saginaw, MI • 48604-9780  
989.752.4275 • 800.748.0423 • Fax 989.752.4444  
www.glastender.com

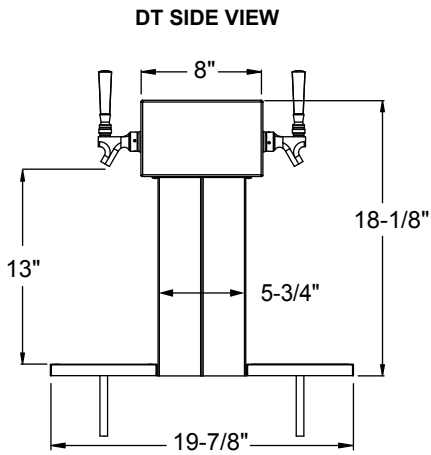
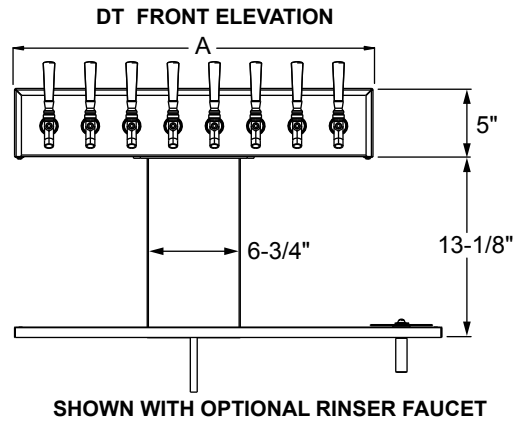
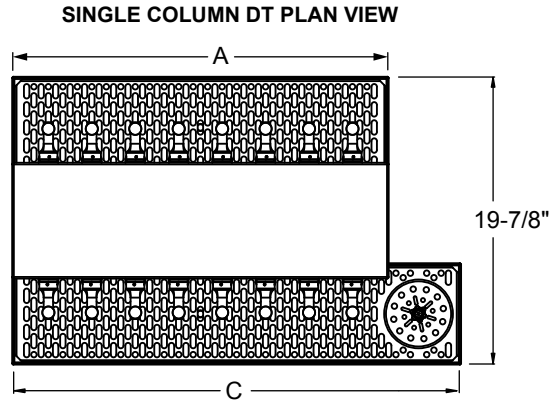
Approval/Notes:

Specifications subject to change without notice. For current specifications please visit our website.

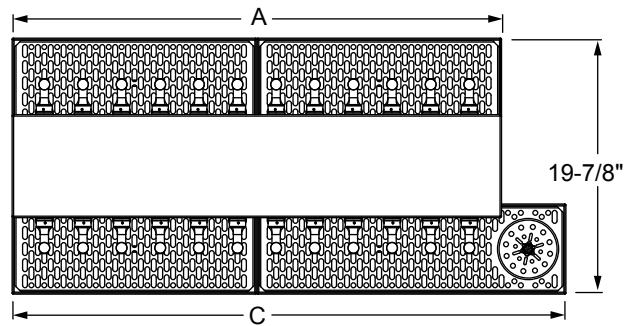
# Double-Sided Towers

## Dimensional Information

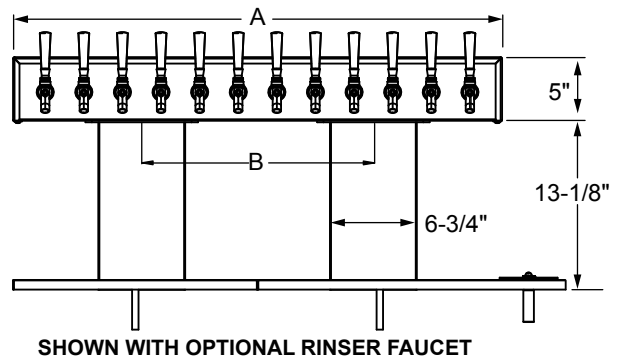
SINGLE COLUMN DT TOWER		
FAUCETS	16	20
"A" WIDTH	26"	32"
"C" WIDTH	Each rinsers faucet adds 5" to drain pan width	



**DOUBLE COLUMN DT PLAN VIEW**



**DOUBLE COLUMN DT FRONT ELEVATION**



DOUBLE COLUMN DT TOWER				
FAUCETS	24	32	36	40
"A" WIDTH	38"	50"	56"	62"
"B" WIDTH	18"	24"	27"	30"
"C" WIDTH	Each rinsers faucet adds 5" to drain pan width			