

Project: _____	AIA# _____
Item #: _____ Qty: _____	SIS# _____
Model #: _____	

Lettuce Crisper



LC

LC

Standard Features

- Self-contained forced air refrigeration system for uniform cooling of product
- Automatic condensate evaporator
- Digital T-STAT control with automatic defrost
- All stainless steel interior construction
- Stainless steel foamed-in-place insulated door and lettuce chute
- Chute with flip-up door for easy access to lettuce
- Stainless steel exterior construction with galvanized steel back and bottom
- Removable plastic lettuce bin and stainless steel divider (additional bins and dividers available)
- Eco friendly foamed-in-place insulation has zero impact on global warming or ozone depletion
- Removable condenser air inlet filter for easy cleaning
- Bracket for wall mounting
- 4" adjustable legs available
- Nine-foot grounded cord and plug provided



Intertek

EP 5016978

Energy Performance
Verified / Rendement
Énergétique Vérifié



Intertek

4004503

Conforms to NSF/ANSI STD 7
and UL STD 471

Certified to CSA STD C22.2 No. 120
Meets NSF 7 requirements for open food
as a storage refrigerator



Intertek

Specifications

Electrical

- 120V, 1 phase, 60 Hz, 2.5 full load amps
- Separate 15 amp circuit is required
- Includes a 9-foot NEMA 5-15P grounded cord
- Available with 220V, 1 phase, 50Hz electrical



5-15P

Refrigeration

- 1/8 HP, R290 refrigerant, 4.25 oz
- 850 BTUH refrigeration capacity (0.07 tons)
- 1,023 BTU/hr heat rejection

Plumbing

- Automatic condensate evaporator. No drain connection required.

Lettuce Bin

- Removable plastic bin and stainless steel divider included

Operating Range

- 34°F (1°C) to 40° F (4°C)

Hinge Location

- Standard hinge location is right. Factory set left door hinge is optional. Door is field reversible.

Legs (Optional)

- 4" stainless steel adjustable legs

Materials

- Stainless steel parts include: interior, door, lettuce chute, flip-up lid, and exterior front, sides and top
- Galvanized steel parts include: back, condensing unit and exterior bottom
- Roto-molded plastic parts include: lettuce bin

Capacity

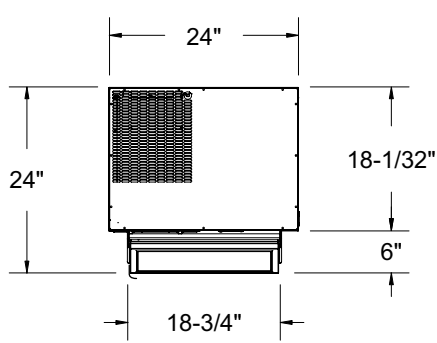
- Approximately 50 heads of lettuce (shredded)

Glastender, Inc. • 5400 N Michigan Rd • Saginaw, MI • 48604-9780 989.752.4275 • 800.748.0423 • Fax 989.752.4444 www.glastender.com	Approval/Notes:
---	-----------------

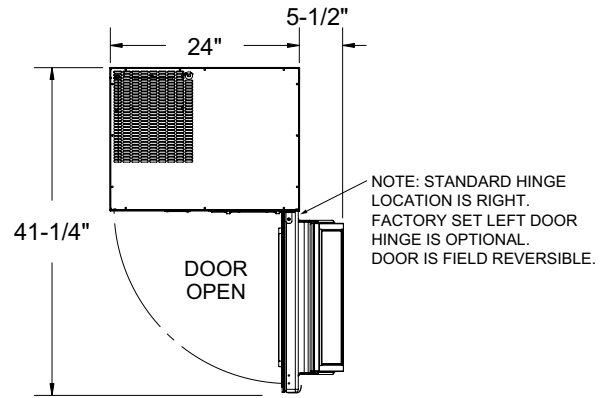
Specifications subject to change without notice. For current specifications please visit our website.

Lettuce Crisper

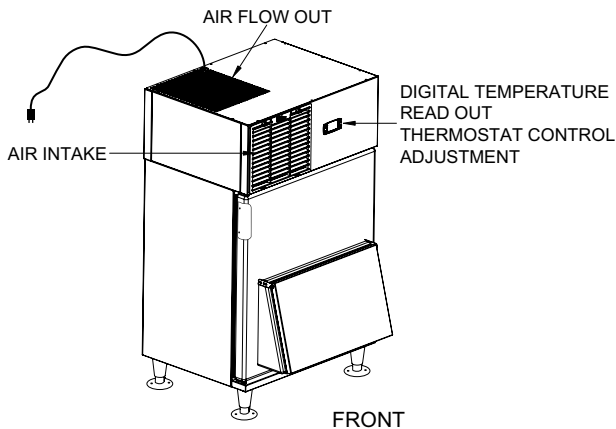
Dimensional Information



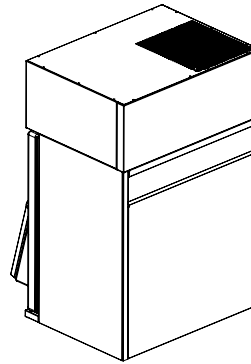
FRONT



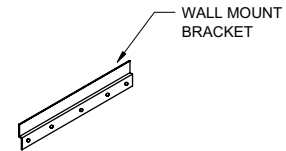
PLAN VIEWS



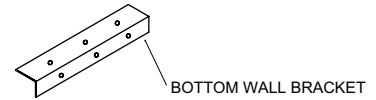
FRONT



REAR

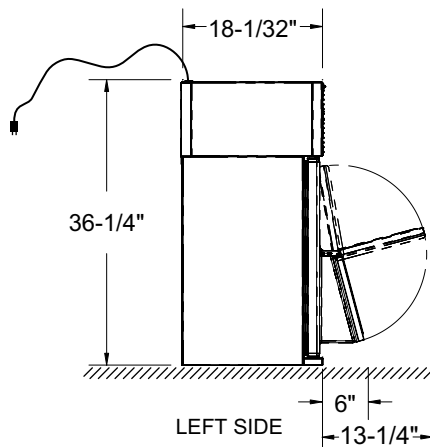


DRILL HOLES FOR TOP BRACKET
24-3/4" ABOVE BOTTOM OF UNIT

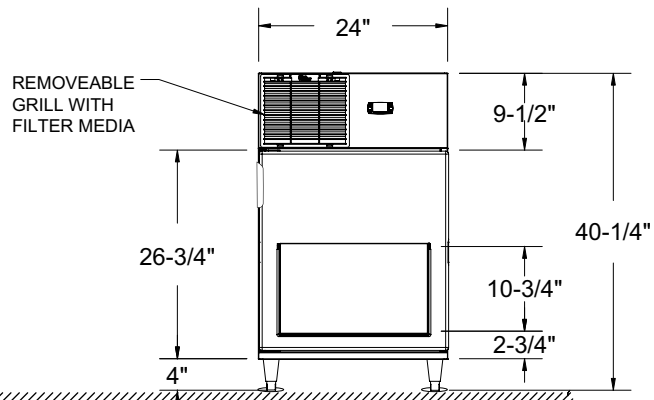


8" OF AIR SPACE IS REQUIRED ABOVE LETTUCE CRISPER TO ALLOW FOR AIR FLOW OUT
WARNING: COMPRESSOR FAILURE DUE TO RESTRICTION OR BLOCKAGE OF AIR FLOW WILL VOID WARRANTY.

ISOMETRIC VIEWS



LEFT SIDE



FRONT WITH OPTIONAL
4" ADJUSTABLE LEGS

ELEVATION VIEWS



5400 N Michigan Rd • Saginaw, MI • 48604-9780
989.752.4275 • 800.748.0423 • Fax 989.752.4444
www.glastender.com